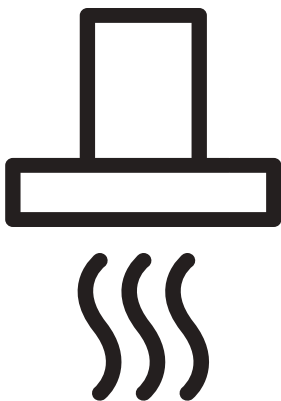


# arctic

## Cooker Hood

User Manual



AHT 6132 W  
AHT 6132 X

EN - RO



01M-9211663900-1724-01  
01M-9211653900-1724-01

# CONTENTS

---

**ENGLISH** **3-15**

---

**ROMÂNĂ** **16-32**

---

## Please read this user manual first!





Dear Valued Customer,

Thank you for preferring this Arctic appliance. We hope that you get the best results from your appliance which has been manufactured with high quality and state-of-the-art technology. For this reason, please read this entire user manual and all other accompanying documents carefully before using the appliance and keep it as a reference for future use. If you handover the appliance to someone else, give the user manual as well. Follow the instructions by paying attention to all the information and warnings in the user manual.

Remember that this user manual may also apply to other models. Differences between models are explicitly described in the manual.

## Meanings of the Symbols

Following symbols are used in various sections of this user manual:

	Important information and useful hints about usage.
	<b>WARNING:</b> Warnings against dangerous situations concerning the security of life and property.
	<b>WARNING:</b> Warning for danger of fire.
	<b>WARNING:</b> Warning for electric shock.

# 1 Important safety and environmental instructions

## 1.1 General Safety

**Important Safety Instructions Read Carefully And Keep For Future Reference** This section contains safety instructions that will help protect from risk of fire, electric shock, exposure to leak microwave energy, personal injury or property damage. Failure to follow these instructions shall void any warranty.

- Arctic products comply with the applicable safety standards; therefore, in case of any damage on the appliance or power cable, it should be repaired or replaced by the dealer, service center or a specialist and authorized service alike to avoid any danger. Faulty or unqualified repair work may be dangerous and cause risk to the user.
- This appliance is intended to be used in household

and similar applications such as:

- Staff kitchen areas in shops, offices and other working environments;
- Farm houses
- By clients in hotels, and other residential type environments;
- Bed and Breakfast type environments.
- Operate the appliance for its intended purpose only as described in this manual.
- The manufacturer cannot be held liable for damages resulting from improper installation or misuse of the product.
- This appliance can be used by children aged from 8 years and above and persons with reduced physical, sensory or mental capabilities or lack of experience and knowledge if they have been

# 1 Important safety and environmental instructions

given supervision or instruction concerning use of the appliance in a safe way and understand the hazards involved.

- Children shall not be allowed play with the appliance. Cleaning and user maintenance shall not be made by children without supervision.
- The minimum distance between the supporting surface for the cooking vessels on the hob and the lowest part of your product must be at least 65 cm.
- If the instructions for installation for the gas hob specify a greater distance, this has to be taken into account.
- Make sure that your mains power supply complies with the information supplied on the rating plate of the appliance.
- Never use the appliance if the power cable or the appliance itself is damaged.
- Prevent damage to the power cable by not squeezing, bending, or rubbing it on sharp edges. Keep the power cable away from hot surfaces and naked flame.
- Use the appliance with a grounded outlet only.

**WARNING:** Do not connect the appliance to the mains until the installation is fully complete.

- Place the appliance in a way so that the plug is always accessible.
- Do not touch the lamps if they have operated for a long time. They can burn your hands since they will be hot.
- Follow the regulations set out by competent authorities on discharge of the exhaust air (this warning is not applicable for use without flue).

# 1 Important safety and environmental instructions

- Operate your appliance after putting a pot, pan etc. on the hob. Otherwise, high heat may cause deformation in some parts of your product.
- Turn off the hob before taking the pot, pan etc. from it.
- Do not leave hot on the hob. Pans with hot may cause self combustion.
- Pay attention to your curtains and covers since may catch fire while cooking food such as fries.
- Grease filter must be cleaned at least monthly. Carbon filter must be replaced at least every 3 months.
- Product shall be cleaned accordance with user manual. If cleaning was not carried out in accordance with user manual, there may be fire risk.
- Do not use non-fire-resistant filtering materials instead of the current filter.
- Only use the original parts or parts recommended by the manufacturer.
- Do not operate the product without the filter and do not remove the filters while the product is running.
- In the event of be started any flame, de-energize your product and cooking appliances.
- In the event of be started any flame, cover the flame and never use water to extinguish.
- Unplug the appliance before each cleaning and when the appliance is not in use.
- The negative pressure in the environment should not exceed 4 Pa (4x10 bar) while the hood for electric hob and appliances running on another type of energy but electricity operate simultaneously.

# 1 Important safety and environmental instructions

- In the environment where the appliance is being used, the exhaust of devices running on fuel or gas, such as room heater must be absolutely isolated or device must be hermetical type.
  - When connecting the flue, use pipes with a diameter of 120 or 150 mm. Pipe connection must be as short as possible and have as few elbows as possible.
  - The product outlet must not be connected to air channels that include other smoke.
  - The ventilation in the room may be insufficient when the hood for electric hob is used simultaneously with the devices operating on gas or other fuels (this may not apply to appliances that only discharge the air back into the room).
  - Objects placed on the product may fall. Do not place any objects on the product.
  - Do not flambe under the your product.
- WARNING:** Before installing the Hood, remove the protective films.
- Never leave high naked flames under the hood when it is in operation
  - Deep fat fryers must be continuously monitored during use: overheated can burst into flames.

**Danger of choking!** Keep all the packaging materials away from children.

**CAUTION:** Accessible parts may become hot when used with cooking appliances.

## 1.2 Compliance with the WEEE Directive and Disposing of the Waste Product:

This product complies with EU WEEE Directive (2012/19/EU). This product bears a classification symbol for waste electrical and electronic equipment (WEEE).



This symbol indicates that this product shall not be disposed with other household wastes at the end of its service life. Used device must be returned to official collection point for recycling of electrical and electronic devices. To find these collection systems please contact to your local authorities or retailer where the product was purchased. Each household performs impor-

# 1 Important safety and environmental instructions

tant role in recovering and recycling of old appliance. Appropriate disposal of used appliance helps prevent potential negative consequences for the environment and human health.

## 1.3 Compliance with RoHS Directive

The product you have purchased complies with EU RoHS Directive (2011/65/EU). It does not contain harmful and prohibited materials specified in the Directive.

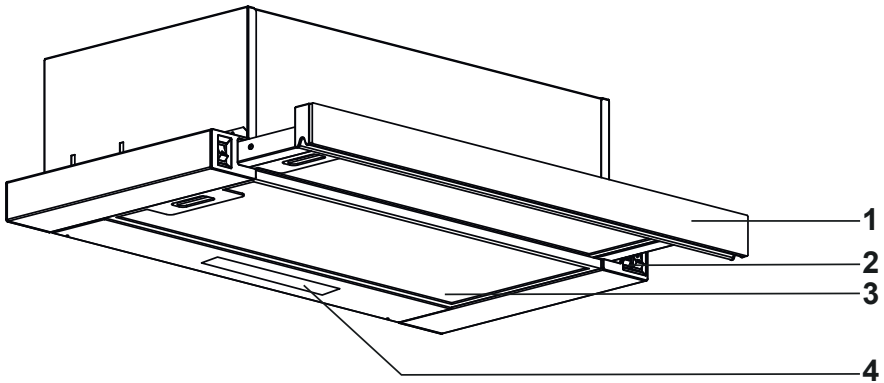
## 1.4 Package information



Packaging materials of the product are manufactured from recyclable materials in accordance with our National Environment Regulations. Do not dispose of the packaging materials together with the domestic or other wastes. Take them to the packaging material collection points designated by the local authorities.

## 2 General appearance

### 2.1 Overview






1. Front panel
2. Control panel
3. Grease filter
4. Lighting

### 2.2 Technical data

<b>Model</b>	AHT 6132 X	AHT 6132 W
<b>Supply voltage and frequency</b>	220-240V~ 50/60Hz	
<b>Lamp power</b>	1x2 W	
<b>Motor power</b>	65 W	
<b>Air flow – 3. Level</b>	320 m <sup>3</sup> /h	
<b>Insulation class</b>	CLASS I	
<b>Colour</b>	Inox	White

# 3 Using the appliance

## 3.1 Controlling the appliance

<b>Lamp button</b>		To turn on the product lamp put the switch in lamp position. The slider set should be in pulled position in order to turn on the lamp.
<b>1st and 2nd speed switch.</b>		Put the switch in down position to operate the product in the 1st speed and in up position to operate in the 2nd speed. To turn it off, set it to "0" position.
<b>3. Speed switch</b>		Put the switch in down position to operate the product in the 3rd speed. To turn it off, set it to "0" position.


## 3.2 Energy efficient usage

- When operating the hood, adjust the speed level according to the odour and vapour intensity in order to prevent unnecessary power consumption.
- Use low speeds in normal conditions (1–2), and high speed (3) when smell and vapours are intensified.
- Lamps on the hood are intended for illuminating the cooking zone.
- Using them to illuminate the ambient/kitchen will result in unnecessary power consumption and inadequate illumination.
- For your device to consume less energy, run it at a low speed level.
- Your device will reduce energy consumption as it will run more efficiently when you provide sufficient air intake to it.
- Set your device to the intense suction power level before the formation of steam, in cases where you know that the dense steam will occur. So, you reduce energy consumption by using your device for a shorter time as it will have a sufficient air intake.
- Keep the lids of the cookware closed to reduce the steam evolving.


## 3.3 Operating the hood

- Your appliance contains a motor that has various speeds.
- For better performance, we recommend using low speeds under normal conditions and high speeds in cases of strong odours and intense vapour.
- You can start your appliance by pressing on the desired speed setting button. (1, 2, 3)
- You may illuminate the cooking area by pressing the lamp.

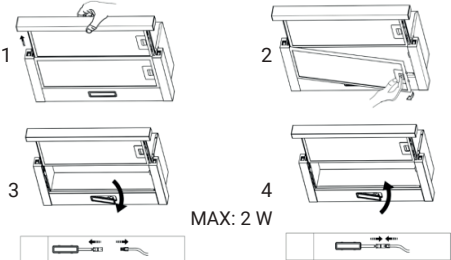
## 3.4 Replacement of Lamp




- Before replacing the light bulbs, disconnect the power supply of the hood.
- Do not touch the light bulbs when they are hot.
- Be careful not to touch the replaced light bulb directly with hands.



You may procure lamps from Authorised Service Agents.



MAX: 2 W

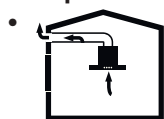
<b>Bulb</b>	
<b>Bulb Power</b>	2 W
<b>Holder / Socket</b>	L14
<b>Bulb Voltage</b>	110 - 240 V

## 3 Using the appliance

<b>Size</b>	34.5*120 mm
<b>Luminous flux</b>	81 lm
<b>Correlated colour temperature</b>	4050 K

This product contains a light source of energy efficiency class "A".

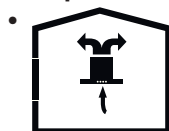
### 3.5 Operation with chimney connection



Vapour is extracted through the flue duct, which is fastened to the connection head on the hood.

- The diameter of the flue duct must be the same as the connection ring. In horizontal settings, the pipe has to have a slight upward slope (around 10°) so that the air can exit the room easily.

### 3.6 Operation without chimney connection



Air is filtered through the carbon filter and recirculated in the room. Carbon filter is used when it is impossible to use a flue in the house.

- In flue less use, remove the flaps inside the flue adapter.
- Remove the aluminium grease filter. To install the carbon filter, fit the filter to the tabs by centring it on the plastic piece on both sides of the fan body. Tighten it by turning right or left.
- Replace aluminium grease filter.

## 4 Cleaning and maintenance

The device should be cleaned and maintained regularly. Failure to keep the device clean will adversely affect the service life of the device. For cleaning and maintenance, follow the instructions stated in the manual.



Before cleaning and maintenance, unplug the product or turn off the switch.

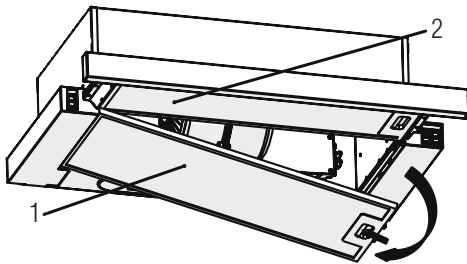


Non-compliance with the provisions associated with the cleaning of the device and replacement of the filters may result in a risk of fire. Therefore, it is recommended to follow the guidelines stated here. The manufacturer is not responsible for the engine damages or fires originating from the improper use.

Clean using only a cloth dampened with a neutral liquid detergent. Do not use abrasive products or alcohol.

### 4.1 Cleaning of grease filter

This filter captures particles in the air. You are recommended to clean your filter every month under normal usage conditions. First remove the grease filters for this process. Wash the filters with liquid detergent and rinse them with water and install them back after they get dry. Grease filters may get discolored as they are washed; this is normal and you don't need to change your filter.



- Push the grease filter lock forward.
- Then pull it slightly down and pull it out. Otherwise, you may bend the filter. Wash and rinse grease filter with liquid detergent and replace grease filter to their seats by carrying out the steps specified above in reverse order. These grease filter are used to retain the oil particles in the air.



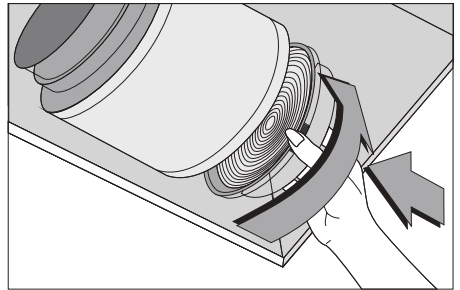
You may also wash the grease filter in the dishwasher.



**CAUTION:** In case of normal use, clean your grease filter once in a month.

### 4.2 Replacement of Carbon Filters

Odour removing filters contain charcoal (Active carbon). Grease filter must be installed in the product, regardless of whether or not carbon filters are used.



- Remove the grease filter.
- To remove the carbon filter, remove the carbon filter from its housing by rotating it counter-clockwise from the tab.
- Install the new carbon filter.
- Install the grease filter.



**CAUTION:**

- Carbon filter shall never be washed.
- Replace carbon filters once every 3 months.
- You can obtain the carbon filter from the authorized services.

# 5 Installation of appliance



**WARNING:** Before starting the installation, read the safety information on User Manual.

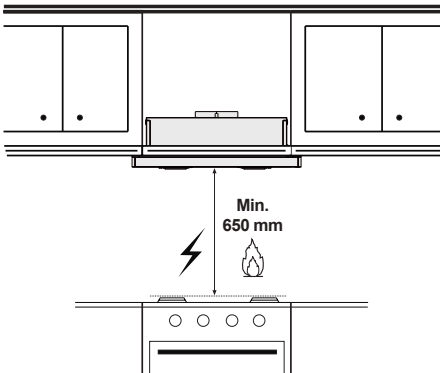


**WARNING:** Failure to install with screws and stabilizers in accordance with these instructions may result in electric shock.

For the installation of the hood, please contact the nearest Authorized Service.

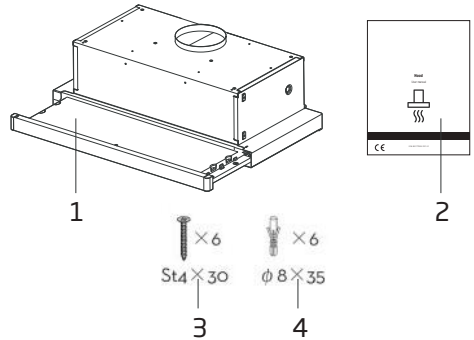
It is the customer's responsibility to prepare the location and electrical installation of the hood.

## 5.1 Position of the appliance



- Distance between the cooker and the cooker hood must be considered prior to assembly. This distance should be 65 cm.
- Distance must be measured from the surface of grate for gas cookers, from surface of glass for electric cookers.

## 5.2 Installation accessories



1. Hood
2. User manual
3. Screws x6
4. Plastic dowel x6

## 5.3 Installation

Two methods for installation

### Method A:

To install onto the wall drill 2 holes of  $\varnothing 8\text{mm}$  on a suitable place according with the centre distance of hole in the back of the cooker hood.

Insert the nut into the holes.

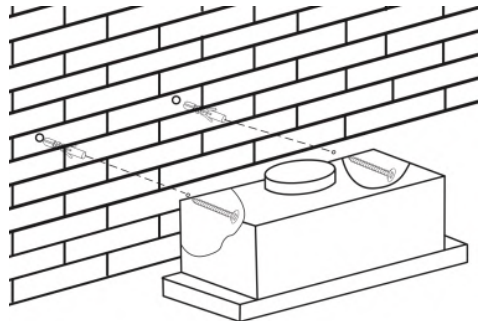
Insert the screws into the nuts and tight.

Put the cooker hood onto the tighten screws.

Fix the cooker hood with safety screw.

The two safety vents are positioned on the back casing, with diameter of 6mm.

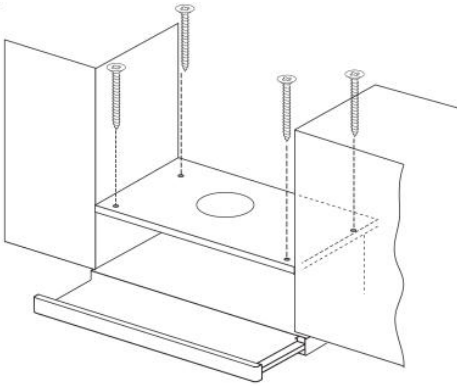
Put the one way valve onto the cooker hood.



# 5 Installation of appliance

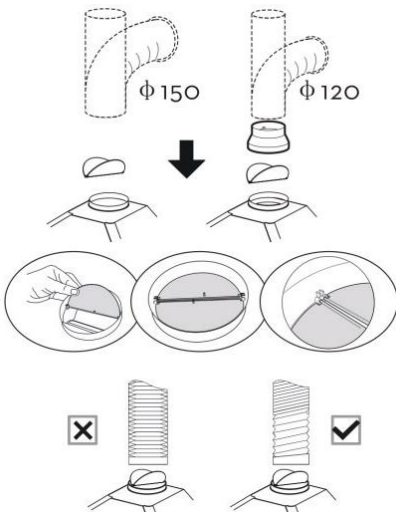
## Method B:

Drill 4 holes of 6mm diameter at the bottom of the hanging cupboard. Put the one way valve on the cooker hood, then install the cooker hood on the bottom of the hanging cupboard, tighten the hood with enclosed 4 screws.



- The extensible pipe are optional accessory, not supplied.
- Take off protection film before installation.

## 5.4 Air outlet installation method



**Installation method for 150mm diameter pipe:** Insert the one-way-valve as the pic and fix the pipe.



**ATTENTION:** The bump of the one-way-valve must be upward.

**Installation method for 120mm diameter pipe:** Insert the damper as the picture and fix the converter before placing the duct.

The pipe near the air outlet need to be fully extended.

## 5.5 Storage

- If you do not intend to use the appliance for a long time, please store it carefully.
- Please make sure that the appliance is unplugged, cooled down and totally dry.
- Store the appliance in a cool and dry place.
- Keep the appliance out of the reach of children

## 5.6 Handling and transportation

- During handling and transportation, carry the appliance in its original packaging. The packaging of the appliance protects it against physical damages.
- Do not place heavy loads on the appliance or the packaging. The appliance may be damaged.
- Dropping the appliance will render it non-operational or cause permanent damage.

## 6 Troubleshooting

<b>Troubleshooting</b>	<b>Reason</b>	<b>Help</b>
The product does not work.	Check your fuse.	Your fuse might be closed, make it work.
The product does not work.	Check the electrical connection.	The mains voltage should be between 220-240 V.
The product does not work.	Check the electrical connection.	Check if the other products in your kitchen are working or not.
The lighting lamp does not work.	Check the electrical connection.	The mains voltage should be between 220-240 V.
The lighting lamp does not work.	Check the lamp switch.	The lamp switch should be in the "on" position.
The lighting lamp does not work.	Check the lamps.	The lamps of the product should not be faulty.
The air intake of the product is poor.	Check the aluminum filter.	The aluminum oil filter should be cleaned at least once a month under normal conditions.
The air intake of the product is poor.	Check the air vent flue.	The air vent flue should be in the "on" position.
The air intake of the product is poor.	Check the carbon filter.	For products with carbon filters, the filter should normally be changed every 3 months.

## Vă rugăm să citiți mai întâi acest manual de utilizare!






Stimate client,

Vă mulțumim pentru că ați ales acest produs Arctic. Sperăm să obțineți cele mai bune rezultate de la aparatul dumneavoastră, care a fost fabricat la o calitate înaltă și cu tehnologie performantă. Din acest motiv, vă rugăm să citiți cu atenție și în întregime acest manual de utilizare și toate celelalte documente însoțitoare înainte de a utiliza aparatul și să le păstrați pentru consultări ulterioare. Dacă transmiteți produsul altei persoane, oferiți-i și manualul de utilizare. Urmați instrucțiunile și acordați atenție tuturor informațiilor și avertismentelor din manualul de utilizare.

Nu uitați că acest manual de utilizare poate fi aplicat și altor modele. Diferențele dintre modele sunt descrise în manual în mod explicit.

### Semnificația simbolurilor

Următoarele simboluri sunt utilizate în diverse părți ale acestui manual de utilizare:

	Informații importante și sugestii utile cu privire la utilizare.
	<b>AVERTISMENT:</b> Avertismente pentru situații periculoase referitoare la siguranța vieții și bunurilor.
	<b>AVERTISMENT:</b> Avertisment pentru pericol de incendiu.
	<b>AVERTISMENT:</b> Avertisment privind electrocutarea.
	Clasă de protecție împotriva electrocutării.

## 1.1 Siguranță generală

Instrucțiuni importante cu privire la siguranță Citiți cu atenție și păstrați-le pentru consultare ulterioară Această secțiune conține instrucțiuni privind siguranța, care vă vor proteja împotriva riscului de incendiu, electrocutare, expunere la scurgeri de microonde, vătămare corporală și pagube materiale. Nerespectarea acestor instrucțiuni atrage anularea garanțiilor acordate.

- Produsele de la Arctic sunt conforme standardelor de siguranță aplicabile; din acest motiv, în caz de defecțiune a produsului sau a cablului de alimentare, acestea trebuie reparate sau înlocuite de distribuitor, un centru de service sau un service similar specializat și autorizat, pentru evitarea oricărui pericol. Lucrările de reparații

greșite sau efectuate de persoane necalificate pot cauza pericole sau riscuri utilizatorului.

- Acest aparat este destinat pentru a fi utilizat în scop casnic și aplicații similare cum ar fi:
  - Bucătării pentru personalul din magazine, birouri sau alte medii de lucru;
  - Ferme
  - De către clienți în hoteluri, moteluri sau alte medii de tip rezidențial;
  - Medii de tip pensiune.
- Utilizați acest produs doar pentru uzul desemnat, așa cum este descris în acest manual.
- Producătorul nu își asumă răspunderea pentru daunele provocate de instalarea incorectă sau utilizarea greșită a produsului.
- Acest aparat poate fi utilizat de către copii cu vâr-

## 1 Instrucțiuni importante cu privire la siguranță și mediu

sta minimă de 8 ani și de către persoanele cu capacități fizice, senzoriale sau mentale reduse sau lipsite de experiență și de cunoștințe, dacă aceștia au fost supravegheați sau instruiți cu privire la utilizarea produsului într-un mod sigur și dacă înțeleg pericolele implicate.

- Copiii nu trebuie să se joace cu aparatul. Operațiunile de curățare și întreținere nu trebuie să fie efectuate de către copii fără supraveghere.
- Distanța minimă dintre suprafețele de susținere pentru vasele de gătit de pe plită și partea cea mai joasă a hotei trebuie să fie de 65 cm.
- Dacă instrucțiunile de instalare a plitei cu gaz specifică distanțe mai mari decât cele de mai sus, se vor respecta instrucțiunile respective.
- Asigurați-vă că tensiu-

nea de alimentare corespunde cu informațiile furnizate pe plăcuța cu date tehnice a produsului.

- Nu utilizați aparatul atunci când cablul de alimentare sau aparatul în sine este avariat.
- Nu strângeți, nu îndoiți și nu frecăți cablul de alimentare de margini tăioase, pentru a preveni avarierea acestuia. Feriți cablul de alimentare de suprafețele fierbinți și focul deschis.
- Utilizați produsul doar cu o priză cu împământare.

**AVERTISMENT:** Nu conectați produsul la priza de alimentare înainte de finalizarea instalării.

- Amplasați aparatul astfel încât ștecherul să fie întotdeauna accesibil.
- Nu atingeți lămpile dacă au funcționat mult timp. Vă pot arde mâinile, deoarece vor fi fierbinți.

## 1 Instrucțiuni importante cu privire la siguranță și mediu

- Respectați reglementările stabilite de autoritățile competente privind evacuarea aerului rezidual (acest avertisment nu este valabil la utilizarea fără coșul de fum).
- Folosiți produsul după ce ați pus o oală, o tigaie etc. pe plită. În caz contrar, căldura ridicată poate cauza deformări în unele părți ale produsului.
- Opriti plita înainte de a lua oala, tigaia etc. de pe aceasta.
- Nu lăsați ulei fierbinte pe plită. Tigăile cu ulei fierbinte pot provoca auto-combustia.
- Fiți atenți la perdele și huse, deoarece uleiul poate lua foc în timp ce gătiți alimente cum ar fi cartofi prăjiți.
- Filtrul de grăsime trebuie înlocuit cel puțin lunar. Filtrul de carbon trebuie înlocuit cel puțin o dată la 3 luni.
- Produsul trebuie curățat conform manualului de utilizare. În cazul în care curățarea nu a fost efectuată conform manualului de utilizare, există risc de incendiu.
- Nu folosiți materiale de filtrare care nu sunt rezistente la foc, în locul filtrului actual.
- Utilizați doar componentele originale sau componentele recomandate de către producător.
- Nu folosiți produsul fără filtru și nu scoateți filtrele în timp ce produsul funcționează.
- În cazul în care se produce o flacără, opriți alimentarea produsului și aparatele de gătit.
- În cazul în care se produce o flacără, acoperiți flacăra și nu utilizați apă pentru stingere.
- Înainte de fiecare curățare și atunci când pro-

## 1 Instrucțiuni importante cu privire la siguranță și mediu

dusul nu este folosit, scoateți-l din priză.

- Presiunea negativă în mediu nu trebuie să depășească 4 Pa (4 x 10 bari), în timp ce hota pentru plita electrică și aparatele care funcționează cu un alt tip de energie decât electricitatea funcționează simultan.
- În mediul în care este folosit produsul, evacuarea dispozitivelor care funcționează pe combustibil lichid sau motorină, cum ar fi radiatorul, trebuie să fie complet izolată sau dispozitivul trebuie să fie de tip ermetic.
- La conectarea coșului de evacuare, folosiți țevi cu diametrul de 120 sau 150 mm. Racordul țevelor trebuie să fie cât mai scurt posibil și să aibă cât mai puține coturi.
- Pericol de sufocare! Păstrați materialele de ambalare la loc inaccesibil

copiilor.

**ATENȚIE:** În timpul utilizării cu aparate de gătit, piesele accesibile se pot încinge.

- Evacuarea hotei nu trebuie să fie conectată la canalele de aer care includ alte tipuri de fum.
  - Ventilația în cameră poate fi insuficientă atunci când hota pentru plita electrică este folosită simultan cu dispozitive care funcționează cu gaz sau alți combustibili (nu se aplică neapărat în cazul aparatelor care doar evacuează aerul înapoi în cameră).
  - Obiectele plasate pe produs pot să cadă. Nu amplasați nici un obiect pe aparat.
  - Nu flambați alimente sub produs.
- A V E R T I S M E N T :**  
Îndepărtați foliile de protecție înainte de a instala hota.
- Nu lăsați niciodată focul deschis la intensitate

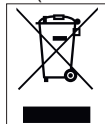
# 1 Instrucțiuni importante cu privire la siguranță și mediu

mare sub hotă când aceasta funcționează.

- Friteuzele trebuie supravegheate permanent în timpul folosirii: uleiul supraîncălzit se poate aprinde.

## 1.2 Conformitate cu Directiva WEEE și depozitarea la deșeurile a produsului uzat:

Acest produs respectă Directiva UE WEEE (2012/19/UE). Produsul este marcat cu un simbol de clasificare pentru deșeurile electrice și electronice (WEEE).



Acest simbol indică faptul că produsul nu trebuie eliminat cu alte deșeurile menajere la finalul perioadei de utilizare. Dispozitivele utilizate trebuie returnate la punctul special de reciclare de dispozitive electrice și electronice. Pentru

a găsi aceste sisteme de colectare contactați autoritățile locale sau distribuitorul de la care a fost achiziționat produsul. Fiecare gospodărie are un rol important în recuperarea și reciclarea electrocasnicilor vechi. Eliminarea corespunzătoare a electrocasnicilor utilizate ajută la prevenirea posibilelor consecințe negative pentru mediu și sănătatea umană.

## 1.3 Conformitate cu Directiva RoHS:

Produsul pe care l-ați achiziționat respectă Directiva UE RoHS (2011/65/UE). Nu conține materiale dăunătoare și interzise specificate în Directivă.

## 1.4 Informații despre ambalaj

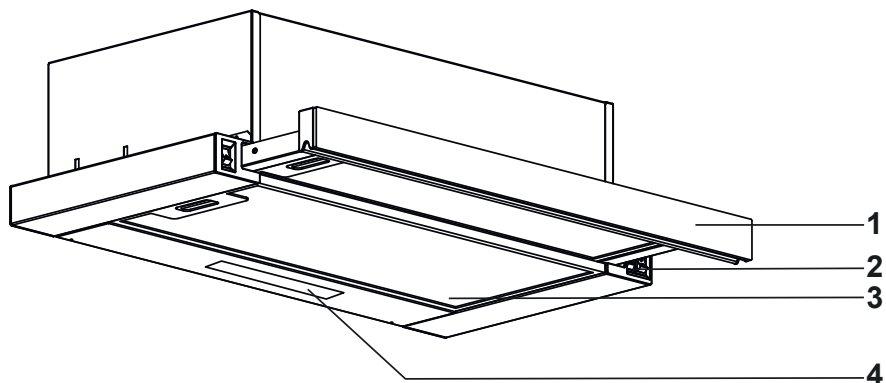


Ambalajul produsului este fabricat din materiale reciclabile conform Legislației Naționale. Ambalajele nu trebuie aruncate împreună cu gunoiul menajer sau alt tip. Duceți-le la punctele de colectare

destinate ambalajelor amenajate de către autoritățile locale.

## 2 Aspectul general al produsului

### 2.1 Prezentare generală



### Control și piese




1. Front panel
2. Panou de control
3. Filtru de grăsime
4. Iluminat

### 2.2 Date tehnice

Model	AHT 6132 X	AHT 6132 W
Tensiune de alimentare și frecvență	220-240V~ 50/60Hz	
Putere bec	1x2 W	
Putere motor	65 W	
Flux aer – 3. Nivel	320 m <sup>3</sup> /h	
Clasa de izolație	Clasa I	
Culoare	Inox	Alb

## 3 Utilizarea produsului

### 3.1 Utilizarea întrerupătorului basculant

<b>Buton pentru lampă</b>		Pentru a aprinde lampa produsului, puneți comutatorul în poziția lampă. Setul de glisiere trebuie să fie în poziția tras pentru a aprinde lampa.
<b>Comutatorul de viteză 1 și 2.</b>		Puneți comutatorul în poziția jos pentru a opera produsul în viteză 1 și în poziția sus pentru a opera în viteză 2. Pentru a-l opri, setați-l în poziția „0”.
<b>3. Comutator de viteză</b>		Puneți comutatorul în poziția jos pentru a opera produsul în viteză a 3-a. Pentru a-l opri, setați-l în poziția „0”.

### 3.2 Funcționarea eficientă din punct de vedere energetic în termeni de economisire Folosire

- Când folosiți hota, ajustați setările de viteză conform vaporilor și intensității mirosului, pentru a economisi energie.
- Folosiți viteze mici (1-2) în condiții normale și viteze mari (3) pentru mirosuri intense și vapori.
- Lămpile de pe hotă sunt plasate pentru iluminarea zonei de gătit.
- Folosirea lor pentru lumina ambientală va produce consum de energie inutil și lumină insuficientă.
- Pentru ca aparatul să consume mai puțină energie, utilizați-l la o viteză redusă.
- Aparatul va consuma mai puțină energie, deoarece va funcționa mai eficient atunci când îi asigurați o admisie suficientă de aer.
- Setați aparatul la nivelul de aspirație puternică

înainte de formarea aburului, în cazurile în care știți că se va forma mult abur. Așadar, reduceți consumul de energie folosind aparatul pentru o perioadă mai scurtă de timp, deoarece va avea o admisie suficientă de aer.

- Țineți capacele vaselor de gătit închise pentru a reduce degajarea aburului.

### 3.3 Funcționare hotei

- Hota este echipată cu un motor care are diferite setări de viteză.
- Pentru o performanță mai bună, vă sfătuim ca în condiții normale să folosiți o viteză mai mică, iar atunci când mirosul și vaporii se intensifică, să folosiți o viteză mai mare.
- Puteți porni hota apăsând pe butonul care indică nivelul de viteză dorit (1, 2, 3)
- Puteți ilumina zona în care gătiți apăsând butonul pentru lumină.

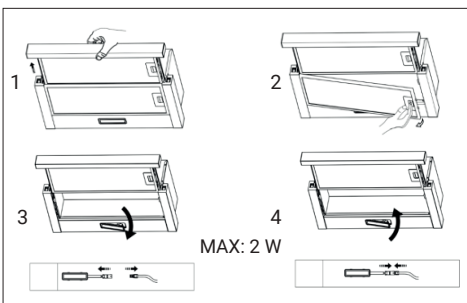
### 3.4 Înlocuirea becului




- Înainte de a înlocui becul, deconectați hota de la sursa de alimentare.
- Nu atingeți becurile atunci când sunt fierbinți.
- Aveți grijă să nu atingeți becul înlocuit direct cu mâinile.



Becuri de rezervă găsiți la agenții din service autorizate.



## 3 Utilizarea produsului

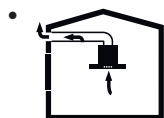
Lampă	
Putere	2 W
Suport / Priză	L14
Voltaj	110 - 240 V
Dimensiune	34.5*120 mm
Flux de lumină	81 lm
Temperatură de culoare corespondentă	4050 K

Acest produs conține o sursă de lumină din clasa de eficiență energetică "A".

dreapta sau spre stânga.

- Înlocuiți filtrul de ulei de aluminiu.

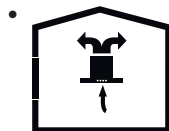
### 3.5 Funcționare cu racordare la tubul de evacuare



Vaporii sunt extrași prin conducta de evacuare, care este fixată pe capul de conectare de pe hotă.

- Diametrul conductei de evacuare trebuie să fie același cu cel al inelului de conectare. În setări orizontale, țeava trebuie să aibă o ușoară pantă ascendentă (aproximativ 10°), astfel încât aerul să poată ieși cu ușurință din cameră.

### 3.6 Funcționare fără racordare la tubul de evacuare



Aerul este filtrat prin filtrul de carbon și recirculat în cameră. Filtrul de carbon este utilizat atunci când este imposibil de utilizat un tub în casă.

- În cazul utilizării fără tub de evacuare, îndepărtați clapetele din interiorul adaptorului pentru tubul de evacuare.
- Scoateți filtrul de ulei. Pentru a instala filtrul de carbon, montați filtrul pe clapete centrându-l pe piesa din plastic de pe ambele părți ale corpului ventilatorului. Strângeți-l prin rotirea spre

Dispozitivul trebuie curățat și întreținut în mod regulat. Dacă aparatul nu este păstrat curat durata de viață a acestuia va fi afectată negativ. Pentru curățare și întreținere, urmați instrucțiunile specificate în manual.



Înainte de curățare și întreținere, deconectați produsul sau opriți întreruatorul.

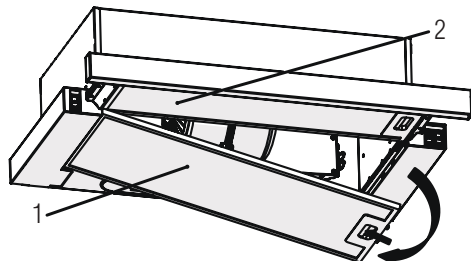


Nerespectarea prevederilor legate de curățarea aparatului și înlocuirea filtrelor poate duce la producerea de incendii. Prin urmare, se recomandă să urmați instrucțiunile specificate aici. Producătorul nu este responsabil pentru defecțiunile motorului sau incendiile cauzate de utilizarea necorespunzătoare.

Curățați folosind o cârpă înmuiată în detergent lichid cu pH neutru. Nu curățați folosind ustensile sau instrumente. Nu folosiți produse abrazive. Nu folosiți alcool.

#### 4.1 Curățarea filtrului din aluminiu pentru grăsime

Acest filtru captează particulele de ulei din aer. Se recomandă curățarea filtrului în fiecare lună, în condiții normale de utilizare. În acest scop, mai întâi îndepărtați filtrele de grăsime. Spălați filtrele cu detergent lichid și apoi clățiți-le cu apă, iar după uscare montați-le la loc. Filtrele de aluminiu se pot decolora pe măsură ce sunt spălate; acest lucru este normal și nu necesită înlocuirea filtrului.



- Împingeți înainte blocarea filtrului de ulei.
- Apoi trageți-l ușor în jos și trageți-l afară. În caz contrar, puteți îndoi filtrul. Spălați și clățiți filtrele de ulei cu detergent lichid înlocuind filtrele de ulei, efectuând pașii specificați mai sus în ordine inversă. Aceste filtre de ulei sunt utilizate pentru a

reține particulele de ulei din aer.



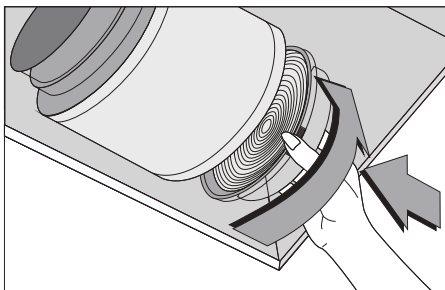
De asemenea, puteți spăla filtrele de ulei din aluminiu în mașina de spălat.



**ATENȚIE:** În caz de utilizare normală, curățați filtrul de ulei din aluminiu o dată pe lună.

#### 4.2 Schimbarea filtrului de carbon

Filtrele de îndepărtare a mirosului conțin cărbune (carbon activ). Indiferent dacă este utilizat sau nu un filtru de carbon, trebuie instalate filtrele de ulei din aluminiu.



- Scoateți filtrul de grăsime.
- Așezați partea inferioară a filtrului de carbon pe carcasa motorului.
- Apăsăți pe urechea filtrului de carbon și împingeți-o înainte și asigurați-vă că urechile filtrului de carbon sunt cuplate și blocate.
- Atașați filtrul de grăsime.

#### **WARNING:**

- The carbon filter is never washed.
- Replace carbon filters once every 3 months.
- Carbon filter is available from Authorized Services.



## 5 Instalarea hotei



**AVERTISMENT:** Înainte de a începe instalarea, citiți informațiile de siguranță din Manualul utilizatorului.

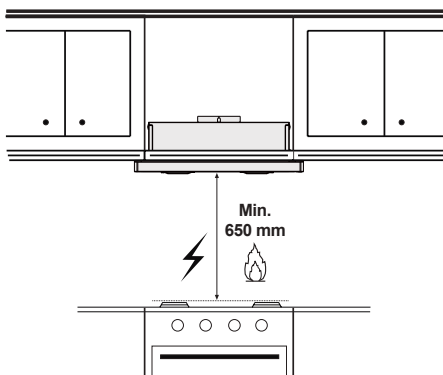


**AVERTISMENT:** Neinstalarea cu șuruburi și stabilizatori în conformitate cu aceste instrucțiuni poate duce la electrocutare.

Pentru instalarea hotei, vă rugăm să contactați cel mai apropiat serviciu autorizat.

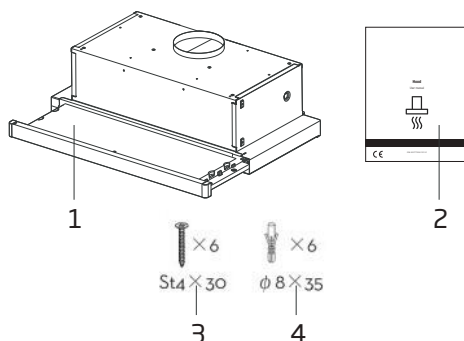
Este responsabilitatea clientului să pregătească locația și instalarea electrică a hotei.

### 5.1 Poziția aparatului



- Distanța dintre aragaz și hotă trebuie luată în considerare înainte de asamblare. Această distanță trebuie să fie de 65 cm.
- Distanța trebuie măsurată de la suprafața grătarului pentru aragazuri pe gaz, de la suprafața sticlei pentru aragazuri electrice.

### 5.2 Accesoriile pentru montare



1. Hotă de bucătărie
1. Manual de instrucțiuni
2. Șurub x6
3. Diblu de plastic x6

### 5.3 Instalare

Două metode de instalare

#### Metoda A:

Pentru a instala pe perete, faceți 2 găuri de Ø8 mm într-un loc potrivit, în funcție de distanța dintre centrele găurilor din spatele hotei.

Introduceți piulița în orificii.

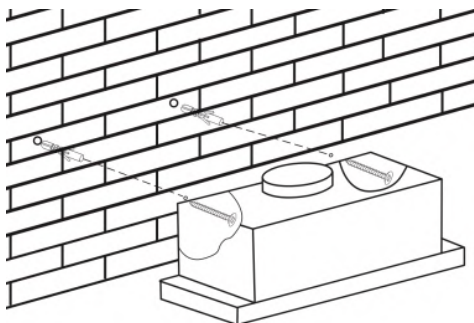
Introduceți șuruburile în piulițe și strângeți-le.

Puneți hota de aragaz pe șuruburile de strângere.

Fixați hota de aragaz cu șurubul de siguranță.

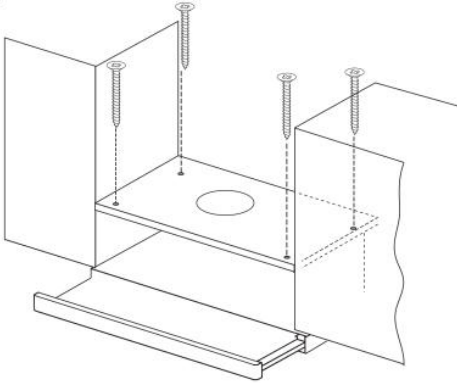
Cele două orificii de aerisire de siguranță sunt poziționate pe carcasa din spate, cu un diametru de 6 mm.

Puneți supapa unidirecțională pe hota aragazului.



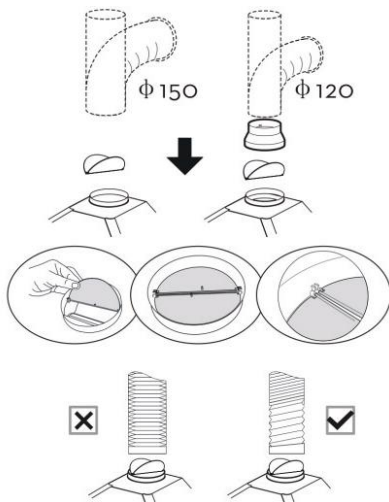
**Metoda B:**

Faceți 4 găuri cu diametrul de 6 mm în partea de jos a dulapului suspendat. Puneți supapa unidirecțională pe hota de bucătărie, apoi instalați hota de bucătărie pe partea de jos a dulapului suspendat, strângeți hota cu cele 4 șuruburi incluse.



- Țeava extensibilă este un accesoriu opțional, care nu este furnizat.
- Îndepărtați folia de protecție înainte de instalare.

#### 5.4 Metoda de instalare a ieșirii de aer



**Metoda de instalare pentru o țeavă cu diametrul de 150 mm:** Introduceți supapa unidirecțională după cum se indică în imagine și fixați țeava.



**ATENȚIE:** Protuberanța supapei unidirecționale trebuie să fie în sus.

**Metoda de instalare pentru o țeavă cu diametrul de 120 mm:** Introduceți amortizorul ca în imagine și fixați convertorul înainte de a amplasa țeava.

Țeava de lângă ieșirea de aer trebuie să fie complet întinsă.

#### 5.5 Depozitarea

- Dacă nu doriți să utilizați aparatul pentru o perioadă lungă de timp, depozitați-l cu grijă.
- Asigurați-vă că aparatul este decuplat, că s-a răcit complet și că este perfect uscat.
- Depozitați aparatul într-un loc uscat și rece.
- Nu lăsați aparatul la îndemâna copiilor

#### 5.6 Manevrarea și transportul

- În timpul manevrării și transportului, transportați produsul în ambalajul său original. Ambalajul aparatului îl protejează împotriva deteriorării fizice.
- Nu plasați obiecte grele pe aparat sau pe ambalaj. Aparatul poate fi deteriorat.
- Căderea aparatului îl poate face nefuncțional sau poate provoca daune permanente.

Problemă	Cauză	Soluție
Produsul nu funcționează.	Verificați siguranța dvs.	Dacă siguranța dvs. este închisă, deschi-deți-o.
Produsul nu funcționează.	Verificați conexiunea electrică.	Tensiunea rețelei trebuie să fie între 220 și 240 V.
Produsul nu funcționează.	Verificați conexiunea electrică.	Verificați dacă și celelalte aparate din bucătărie funcționează.
Lampa de iluminare nu funcționează.	Verificați conexiunea electrică.	Tensiunea rețelei trebuie să fie între 220 și 240 V.
Lampa de iluminare nu funcționează.	Verificați comutatorul lămpii.	Comutatorul pentru lampă trebuie să fie în poziția „on” (pornit).
Lampa de iluminare nu funcționează.	Verificați becurile.	Becurile produsului nu trebuie să fie defecte.
Admisia de aer a produsului este slabă.	Verificați filtrul de aluminiu.	În condiții normale de funcționare, filtrul de ulei din aluminiu trebuie curățat cel puțin o dată pe lună.
Admisia de aer a produsului este slabă.	Verificați tubul de evacuare a aerului.	Tubul de evacuare a aerului trebuie să fie în poziția „on” (pornit).
Admisia de aer a produsului este slabă.	Verificați filtrul de carbon.	Pentru produsele cu filtre de carbon, filtrul trebuie schimbat în mod normal la fiecare 3 luni.



# CERTIFICAT DE GARANȚIE

Tensiune de alimentare/frecvență: 220-240V~, 50-60Hz

Importator: Beko Romania SA, Găești, str. 13 Decembrie nr. 210, jud. Dâmbovița, email: office.ro@beko.com

TIP:  Aragaz  Cuptor încorporabil  Plită încorporabilă  Hotă

Model / Serie: .....

## VÂNZĂTOR

Nr. factură: ..... Data: .....

Vânzător (firma, localitatea): .....

## CUMPĂRĂTOR

Nume ..... Localitatea .....

Str. .... Nr. .... Bloc ..... Sc. .... Et. .... Ap. ....

Județ ..... Telefon ..... E-mail .....

S-a efectuat proba de funcționare a aparatului, s-a prezentat modul de folosire, s-au predat instrucțiunile de utilizare și toate accesoriile. Am primit aparatul în perfectă stare de funcționare.

Stimați clienți,

La cumpărare vă recomandăm să solicitați efectuarea probei de funcționare și să verificați existența instrucțiunilor de utilizare și a accesoriilor.

Pentru a putea beneficia de toate avantajele produselor și serviciilor noastre vă rugăm:

- să citiți cu atenție și să respectați recomandările prezentate în "Instrucțiunile de utilizare".
- să păstrați cu grijă acest certificat pentru a-l putea prezenta (împreună cu documentul fiscal de achiziție), personalului Service, la orice sesizare efectuată în perioada de garanție.

Vă mulțumim că ați optat pentru cumpărarea unui produs Arctic!

## Garanția legală de conformitate

**Durata medie de utilizare a produsului este de 10 ani!**

**Perioada de garanție legală de conformitate este de 2 ani de la livrarea produsului\*,**

\*prin „produs” se înțelege „bun” conform OUG nr. 140/2021<sup>1</sup>

Perioada de garanție legală de conformitate pentru conținutul digital sau serviciul digital în cazul bunurilor cu elemente digitale pentru care contractul de vânzare-cumpărare prevede furnizarea continuă de conținut digital sau a serviciului digital pe durată determinată este de:

- 2 ani de la livrare, respectiv de la livrarea bunului – pentru produse cu durata medie de utilizare de 5 ani (art. 9 (3) din OUG nr. 140/2021);
- 5 ani de la livrare, respectiv de la livrarea bunului – pentru produse cu durata medie de utilizare mai mare de 5 ani (art. 9 (3) din OUG nr. 140/2021);
- Pe tot parcursul perioadei de furnizare a conținutului / serviciului digital – pentru furnizare continuă a conținutului / serviciului digital pe o perioadă mai mare de 5 ani (art. 9 (4) din OUG nr. 140/2021).

<sup>1</sup>Ordonanță de urgență 140/2021 privind anumite aspecte referitoare la contractele de vânzare de bunuri

**arctic**

Service-ul acestui produs este asigurat de Beko Romania SA, cu sediul în Găești, Str. 13 Decembrie nr. 210, jud. Dâmbovița, ● \*9010 ● www.arctic.ro ● e-mail: service.ro@beko.com ● Program Call Center: L-V: 08:30-20:00; S: 08:30-17:00

## **Remedii incluse în garanția legală de conformitate conform OUG nr. 140/2021**

(vă rugăm să aveți în vedere prevederile de mai jos)

**Beko Romania S.A. garantează toate drepturile legale prevăzute de OUG nr. 140/2021 în beneficiul consumatorilor cu privire la garanția legală de conformitate. Dispozițiile prezentului certificat de garanție legală de conformitate se completează, în mod corespunzător, cu dispozițiile OUG nr. 140/2021.**

În caz de neconformitate, consumatorul are dreptul de a beneficia de aducerea în conformitate a bunurilor, de a beneficia de o reducere proporțională a prețului sau de a obține încetarea contractului, în condițiile legii - art. 11 (1).

Consumatorii beneficiază de înlocuirea bunurilor în cazul în care neconformitatea acestora este constatată la scurt timp după livrare, fără a depăși 30 de zile calendaristice. Art.11(7)

Pentru ca bunurile să fie aduse în conformitate, consumatorul poate opta între reparație și înlocuire, cu excepția cazului în care măsura corectivă aleasă ar fi imposibilă sau, în comparație cu cealaltă măsură corectivă disponibilă, ar impune vânzătorului costuri care ar fi disproporționate, luând în considerare toate circumstanțele (ex. valoarea bunurilor în cazul în care nu ar fi existat neconformitatea, gravitatea neconformității sau dacă măsura corectivă alternativă ar putea fi executată fără vreun inconvenient semnificativ pentru consumator) - art. 11 (2).

### **Instalarea incorectă a bunurilor (art. 7).**

Orice neconformitate cauzată de instalarea incorectă a bunurilor este considerată ca reprezentând o neconformitate a bunurilor, în oricare din următoarele situații:

- a) instalarea face parte din contractul de vânzare și a fost realizată de vânzător sau sub răspunderea vânzătorului;
- b) instalarea, destinată să fie realizată de consumator, a fost realizată de acesta și instalarea incorectă s-a datorat unor deficiențe în instrucțiunile de instalare furnizate de vânzător sau, în cazul bunurilor cu elemente digitale, de către vânzătorul sau furnizorul conținutului digital sau al serviciului digital.

### **Proba neconformității.**

Orice neconformitate care este constatată în termen de un an de la data la care bunurile (inclusiv cele cu elemente digitale) au fost livrate este prezumată a fi existat deja în momentul livrării bunurilor până la proba contrarie sau cu excepția cazului în care această prezumție este incompatibilă cu natura bunurilor sau cu natura neconformității - art. 10 (1).

În cazul bunurilor cu elemente digitale pentru care contractul de vânzare prevede furnizarea continuă de conținut digital sau de servicii digitale pentru o anumită perioadă, sarcina probei cu privire la conformitatea conținutului digital sau a serviciului digital pe parcursul perioadelor de garanție legală îi revine vânzătorului în cazul unei neconformități care este constatată pe parcursul acestei perioade - art. 10 (3).

### **Remediere prin reparație.**

În cazul în care neconformitatea este remediată prin reparație, termenele de garanție legală se prelungesc cu timpul de nefuncționare a bunului, din momentul la care a fost adusă la cunoștința vânzătorului lipsa de conformitate până la predarea efectivă a bunului în stare de utilizare normală către consumator - art. 12 (6).

### **Remediere prin înlocuire.**

În cazul în care neconformitatea este remediată prin înlocuire, pentru bunurile care înlocuiesc bunurile neconforme, termenele legale de garanție pentru produsul înlocuit încep să curgă de la data înlocuirii cu noul produs - art. 12 (7).

### **Reducerea prețului și încetarea contractului.**

Consumatorul are dreptul fie să obțină o reducere proporțională a prețului în conformitate cu legea, fie să obțină încetarea contractului de vânzare în condițiile legii, în oricare dintre următoarele cazuri - art. 11(4):

- a) vânzătorul nu a finalizat reparația sau înlocuirea sau, după caz, nu a finalizat reparația sau înlocuirea potrivit prevederilor legii sau vânzătorul a refuzat să aducă în conformitate bunurile potrivit prevederilor legii;
- b) se constată o neconformitate, în pofida eforturilor vânzătorului de a o remedia;
- c) neconformitatea este de o asemenea gravitate încât justifică o reducere de preț sau dreptul la încetarea imediată a contractului de vânzare;
- d) vânzătorul a declarat că nu va aduce bunurile în conformitate într-un termen rezonabil sau fără inconveniente semnificative pentru consumator ori acest lucru reiese clar din circumstanțele cazului.

Consumatorul are dreptul de a suspenda plata unei părți restante din prețul bunurilor sau a unei părți a acesteia până în momentul în care vânzătorul își va fi îndeplinit obligațiile care îi revin în temeiul legii - art. 11(6). Reducerea de preț este proporțională cu diminuarea valorii bunurilor primite de consumator în comparație cu valoarea pe care bunurile ar avea-o dacă ar fi în conformitate - art.13.

Încetarea contractului:

- a) nu poate fi solicitată dacă vânzătorul dovedește că neconformitatea este minoră;
- b) poate fi solicitată pentru totalitatea bunurilor achiziționate și livrate, deși motivul de încetare vizează doar anumite bunuri, în cazul în care consumatorului nu i se poate pretinde în mod rezonabil să accepte să păstreze numai bunurile conforme;
- c) determină obligația consumatorului de a returna vânzătorului bunurile, pe cheltuiuala vânzătorului;
- d) determină obligația vânzătorului de a rambursa consumatorului prețul plătit pentru bunuri la primirea bunurilor sau a unei dovezi prezentate de consumator că bunurile au fost returnate; vânzătorul va folosi aceleași modalități de plată ca și cele folosite de consumator pentru tranzacția inițială, cu excepția cazului în care consumatorul a fost de acord cu o altă modalitate de plată și cu condiția de a nu cădea în sarcina consumatorului plata de comisioane în urma rambursării.

Garanția legală pentru viciu ascuns este aplicabilă în condițiile legii, conform OG nr. 21/1992 (revizia 2) privind protecția consumatorului, OUG nr. 140/2021 și Codului Civil. Viciul ascuns reprezintă deficiența calitativă a unui produs livrat sau a unui serviciu prestat care nu a fost cunoscută și nici nu putea fi cunoscută de către consumator prin mijloacele obișnuite de verificare.

**arctic**

Service-ul acestui produs este asigurat de Beko Romania SA, cu sediul în Găești, Str. 13 Decembrie nr. 210, jud. Dâmbovița, ● \*9010 ● www.arctic.ro ● e-mail: service.ro@beko.com ● Program Call Center: L-V: 08:30-20:00; S: 08:30-17:00

## UNITĂȚILE SERVICE ALE BEKO ROMÂNIA S.A. EXECUTĂ REPARAȚII ÎN TERMENUL DE GARANȚIE ȘI ÎN AFARA ACESTUIA

Nr. crt.	Data Reclamației	Data primirii în reparație	Reparat		Cauza întârzierii	Prelungirea termenului de garanție	Efectuarea verificării	
			Programat	Data ridicării aparatului			Reparația curentă și/sau componenta înlocuită	SERVICE

### CONDIȚII SUPLEMENTARE DE GARANȚIE LEGALĂ DE CONFORMITATE:

Pentru orice defecțiune apărută în perioada de garanție legală, apelează la vânzător (respectiv, prin magazinul de unde a fost achiziționat produsul sau direct prin Call Center. Prelungirea termenului de garanție se va înscrice în certificatul de garanție de către unitatea SERVICE care a efectuat reparația. Garanția acoperă repararea și/sau înlocuirea pieselor constatate ca neconforme în sensul OUG nr. 140/2021 (necauzate de consumator) de către tehnicienii Service.

Termenul de realizare a operațiilor de reparație, înlocuire sau întreținere este de 15 zile calendaristice de la data la care compăăătorul a sesizat lipsa de conformitate către vânzător (respectiv, prin magazinul de unde a achiziționat produsul sau direct prin Call Center).

Reparațiile / înlocuirile se efectuează cu respectarea următoarelor condiții - art. 12(1)-(5) din OUG nr. 140/2021:

- a) fără costuri și fără vreun inconvenient semnificativ pentru consumator, înăând seama de natura bunurilor și de scopul pentru care consumatorul a solicitat bunurile în cauză;
- b) consumatorul pune bunurile la dispoziția vânzătorului, iar vânzătorul preia bunurile înlocuite pe propria cheltuielă;
- c) obligația de a repara sau înlocui bunurile include, după caz, demontarea bunurilor neconforme și instalarea bunurilor de înlocuire sau a bunurilor reparate sau suportarea costurilor aferente demontării și instalării;
- d) consumatorul nu este obligat să plătească pentru utilizarea normală a bunurilor înlocuite în perioada care a precedat înlocuirea acestora.

### Reclamațiile referitoare la aspectele prevăzute mai jos, se rezolvă numai contra cost:

- piesele și accesoriile care prezintă lovituri, zgârfieturi, spărturi sau deformări din vina exclusivă a consumatorului.

### PRODUSUL NU BENEFICIAZĂ DE GARANȚIE LEGALĂ DE CONFORMITATE ÎN URMĂTOARELE CAZURI:

1. Nu au fost respectate instrucțiunile de transport, manipulare, instalare, utilizare și întreținere prescise.
2. Subansamblurile și accesoriile casabile care se deteriorează în timpul transportului vor fi înlocuite de vânzător (în cazul în care transportul e asigurat de vânzător sau sub responsabilitatea acestuia).
3. Garanția nu se acordă subansamblelor și accesoriilor casabile ale produselor care suferă deteriorări din vina exclusivă a consumatorului.
4. Tensiunea de alimentare are valori care nu se încadrează în limitele prevăzute de standarde (SR EN 50160).
5. Instalarea electrică a utilizatorului prezintă improvizații sau neconformități.
6. Produsul a fost folosit în alte scopuri decât cel pentru care a fost proiectat.
7. Produsul a suportat intervenții (reparații, modificări) din partea unor persoane neautorizate de producător.

### Drepturile consumatorului sunt cele prevăzute în OUG nr. 140/2021 și OG 21/1992 (republicată).

În cadrul acestui proces, Beko România S.A. vă prelucrează date cu caracter personal, cu respectarea legilor aplicabile privind confidențialitatea și protecția datelor. Pentru informații complete despre modul în care vă prelucreăm datele, precum și despre drepturile dumneavoastră, vă rugăm să consultați secțiunea "protecția datelor personale", accesând site-ul nostru la adresa <https://www.beko.ro/>.







Arçelik A.Ş.  
Karaağaç Caddesi No: 2-6, 34445,  
Sütlüce, İstanbul, Türkiye

[www.arctic.ro](http://www.arctic.ro)