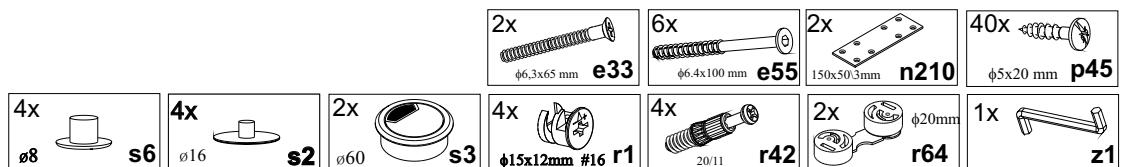
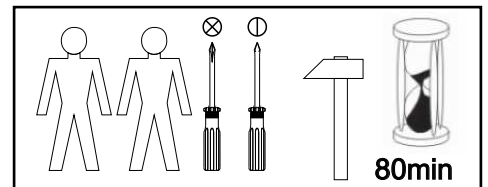
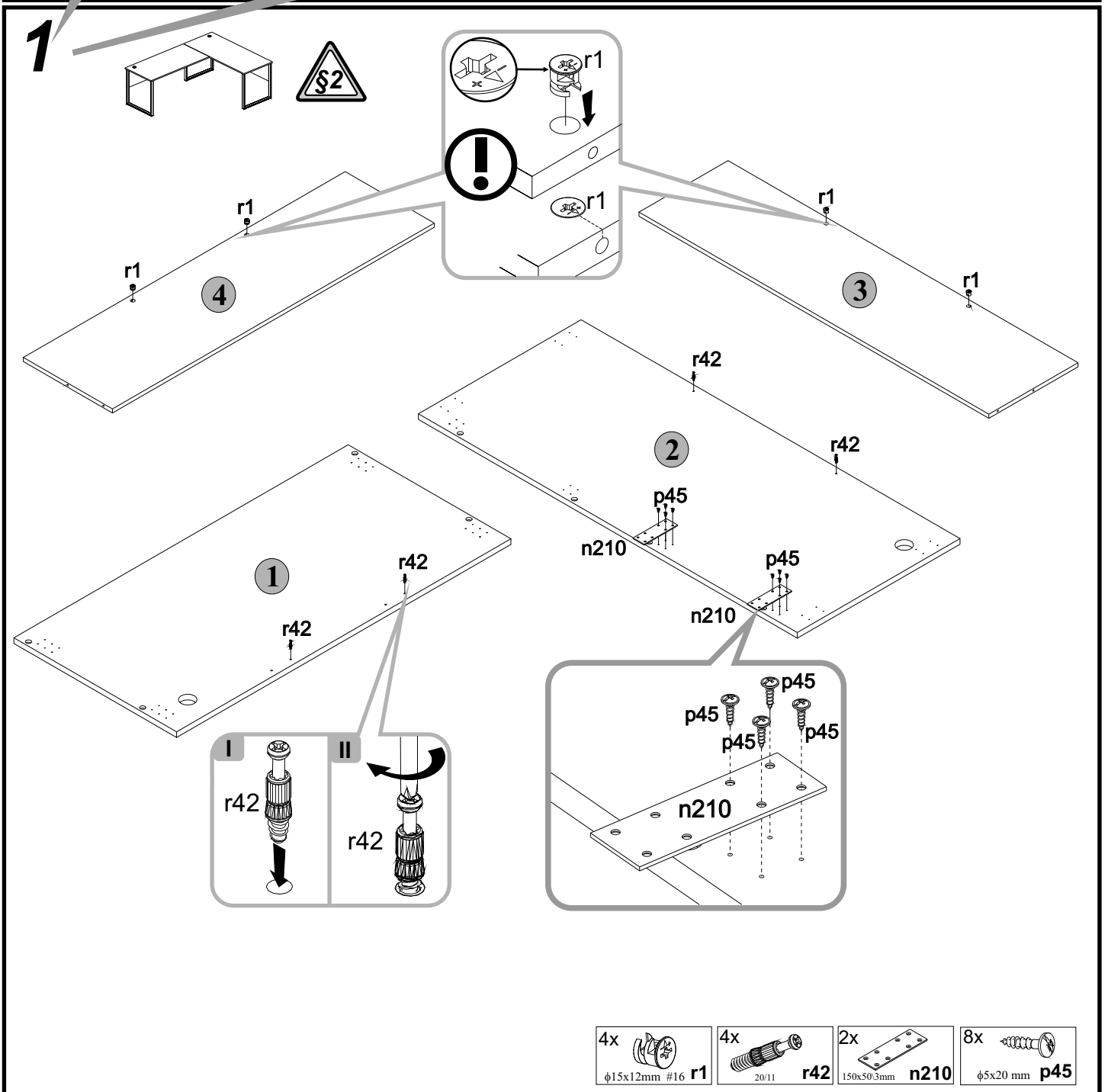
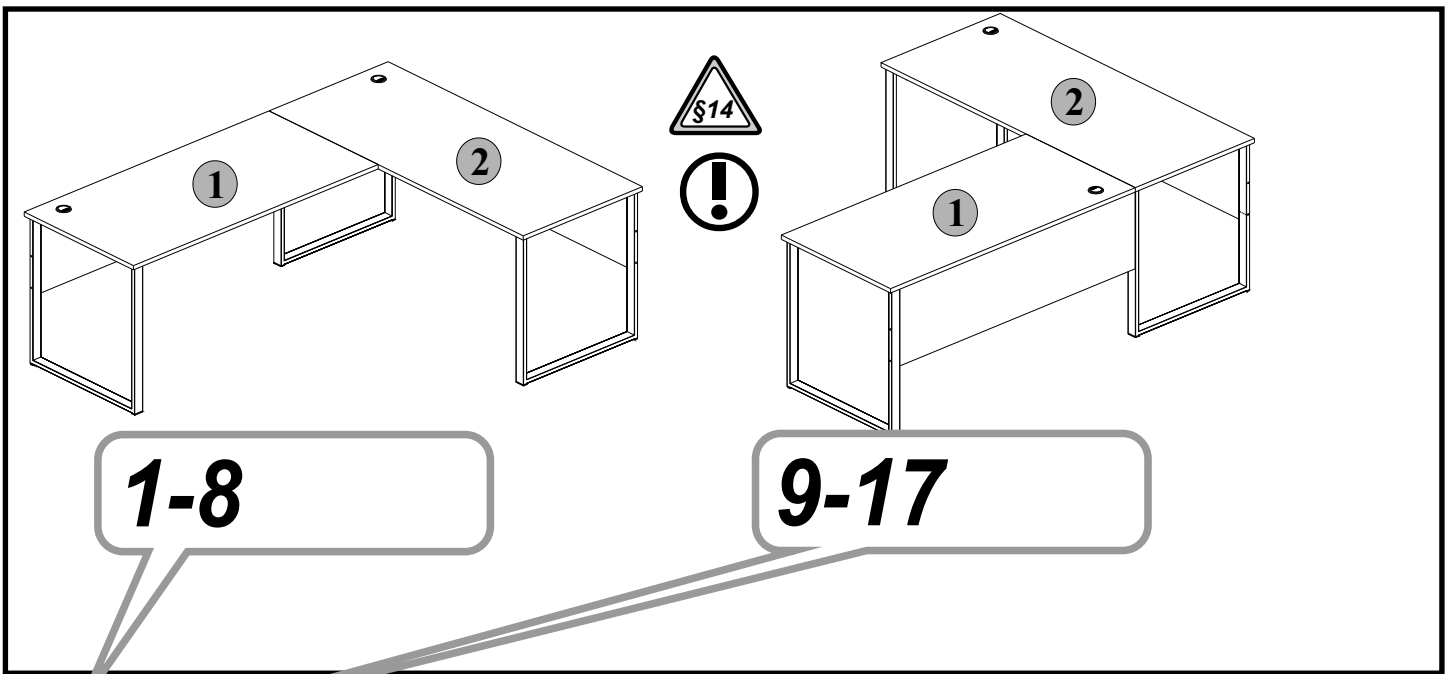


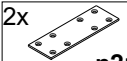

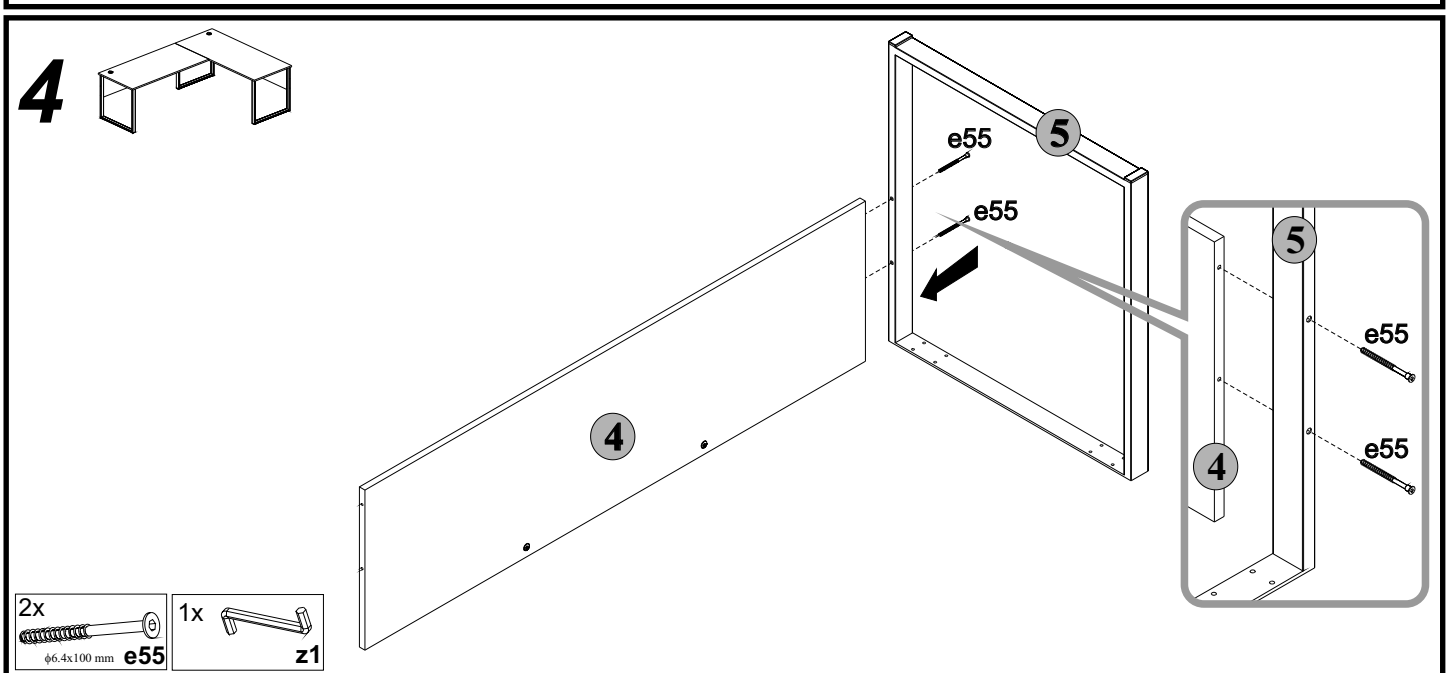
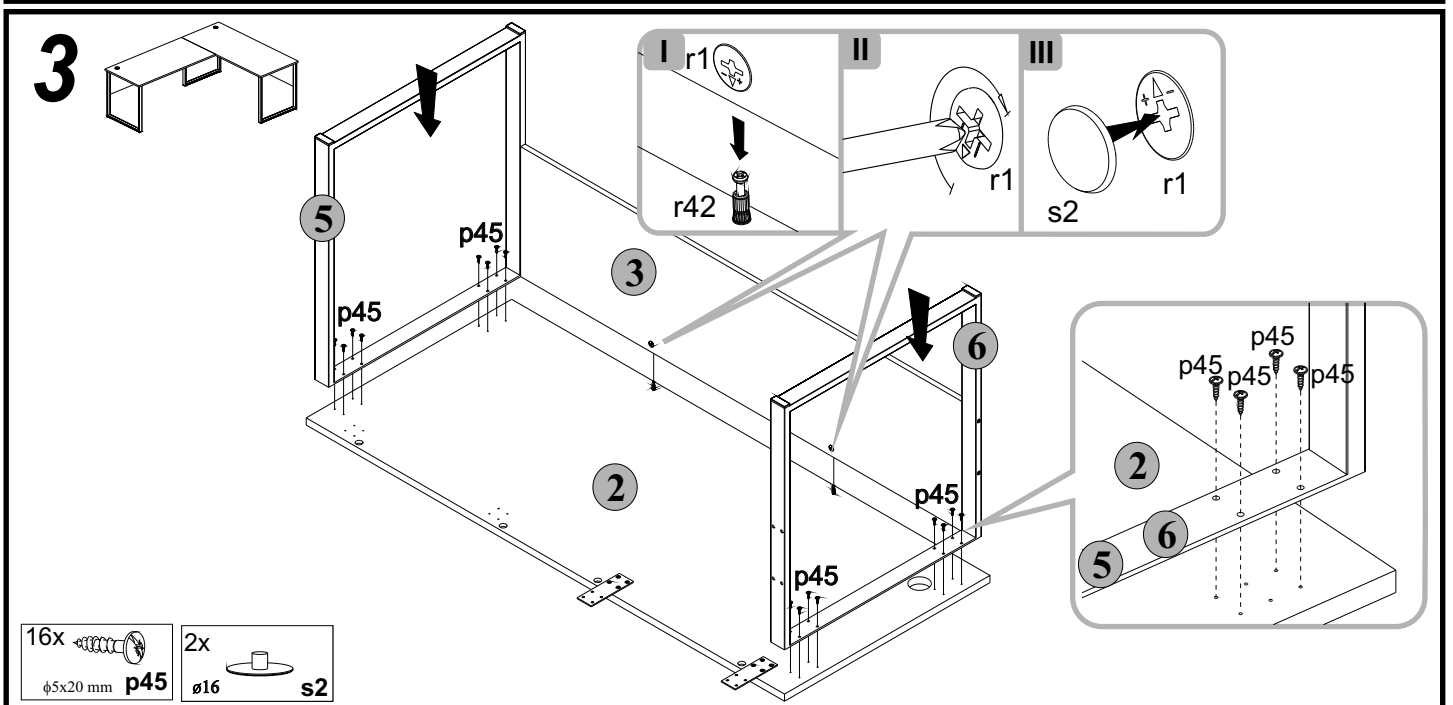
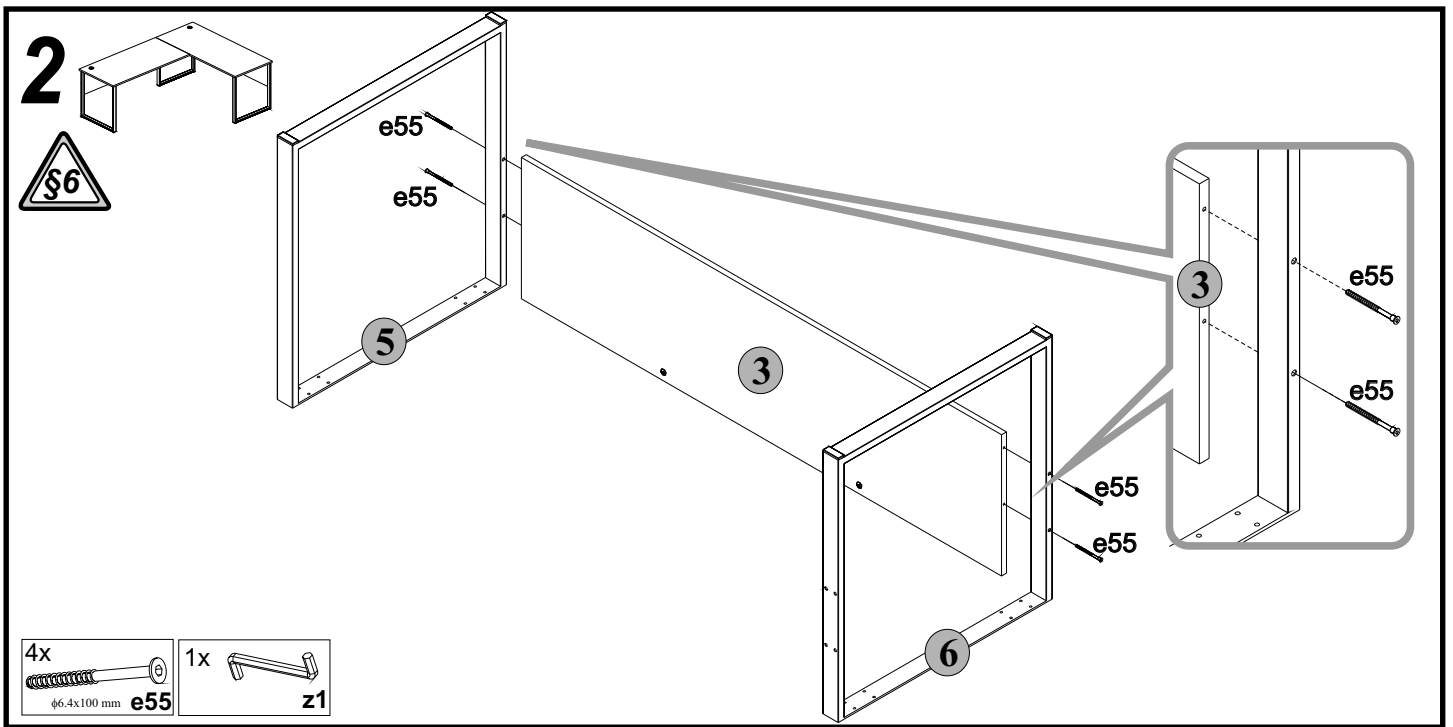


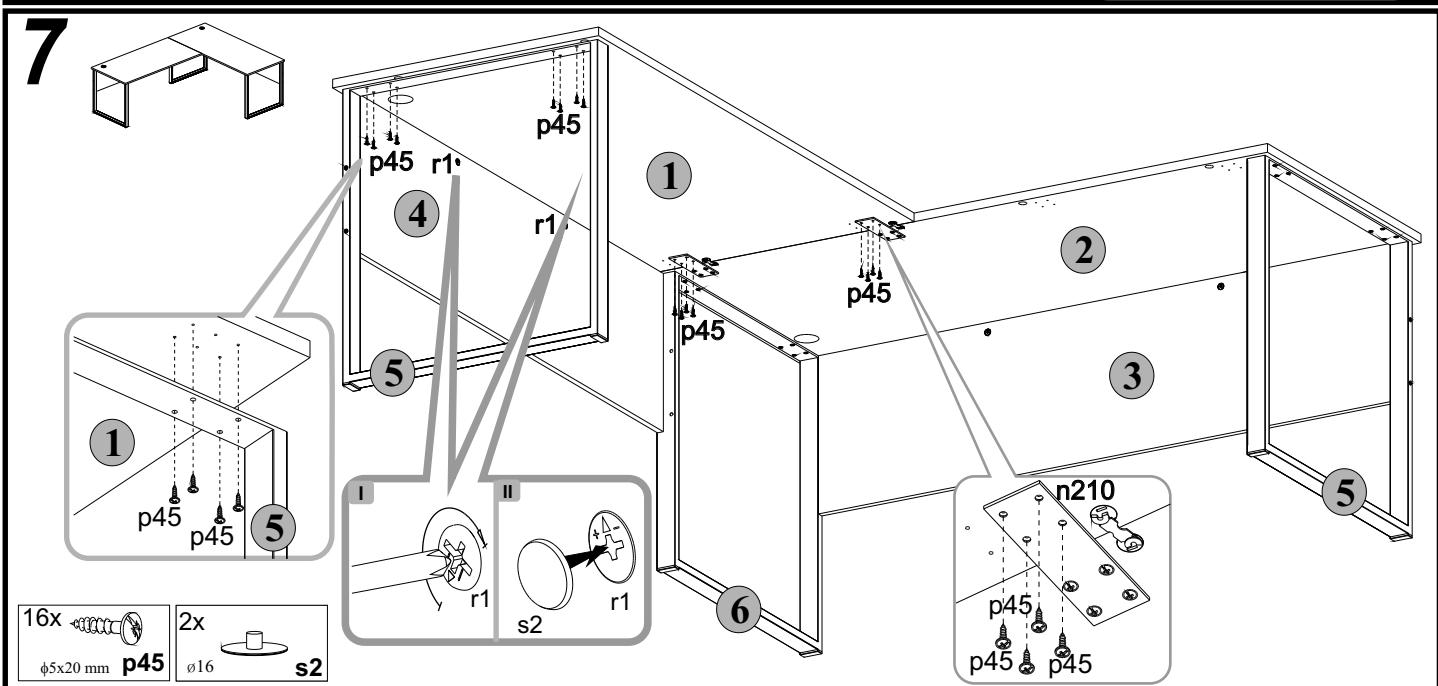
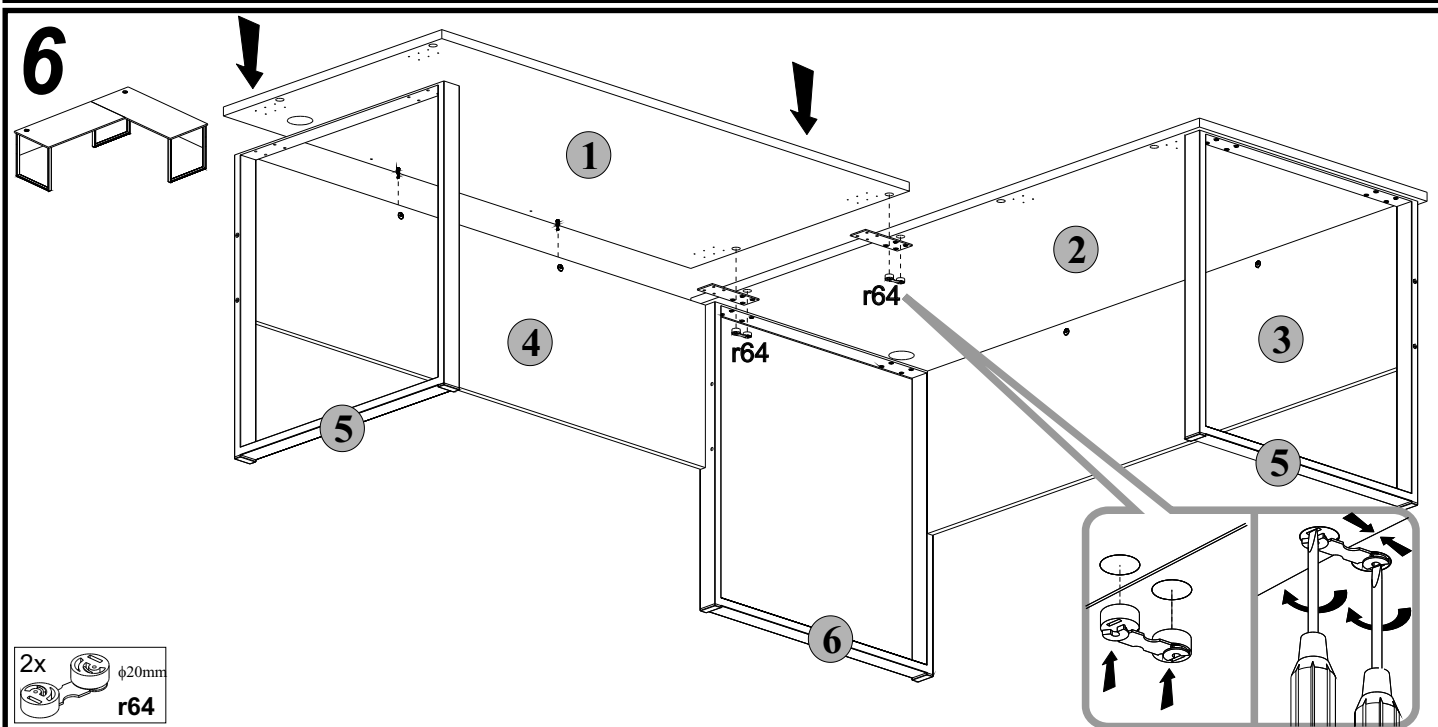
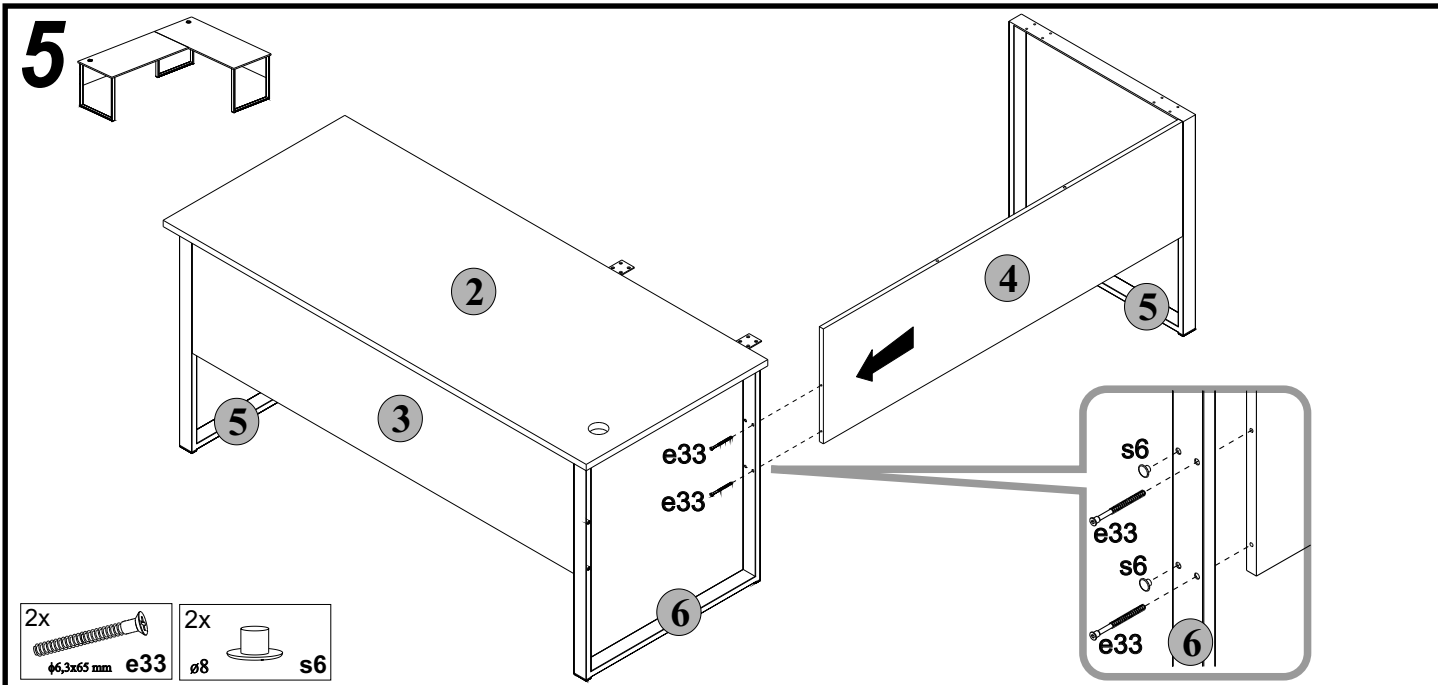
A	B	C	D
1	S363-201A	1500x730	1/3
2	S363-208A	1700x730	2/3
3	S363-507A	1570x400	2/3
4	S363-508A	1444x400	1/3
5	k121_1	700x748	3/3
6	k121_3	700x748	3/3

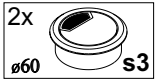
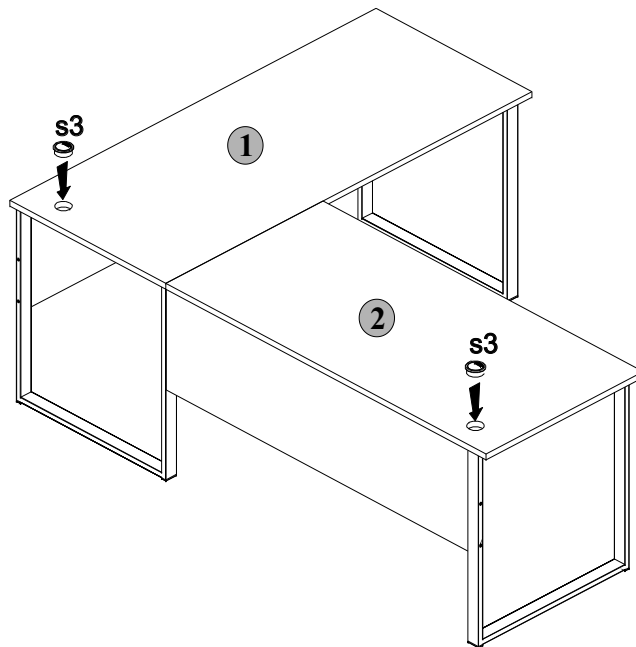
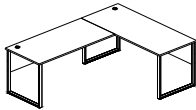
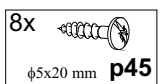
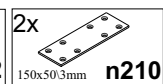
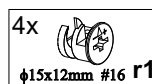
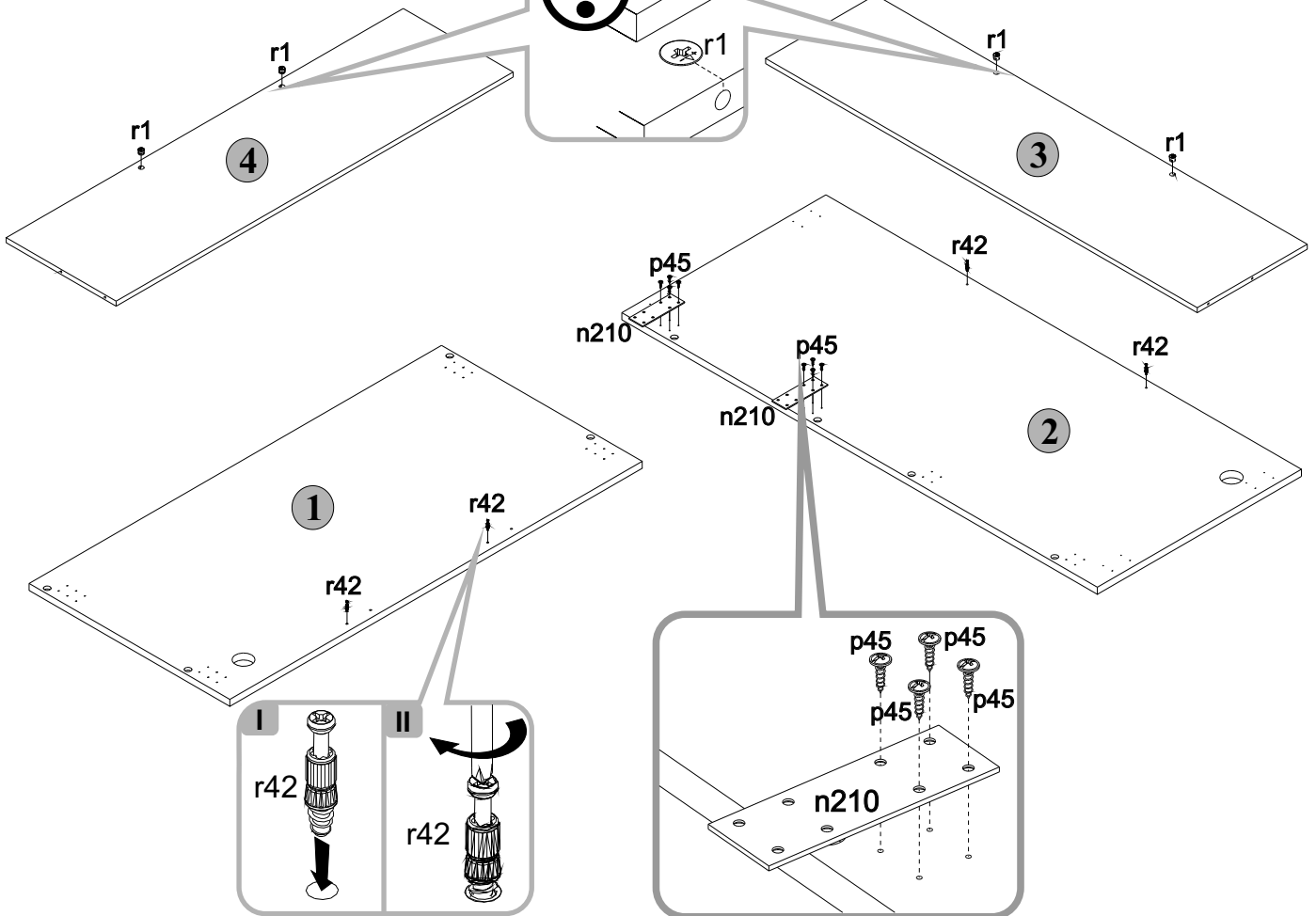
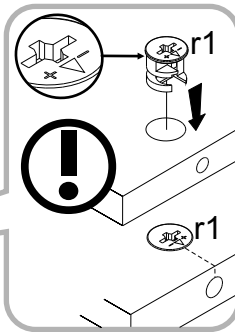
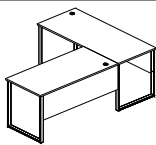




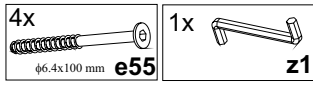
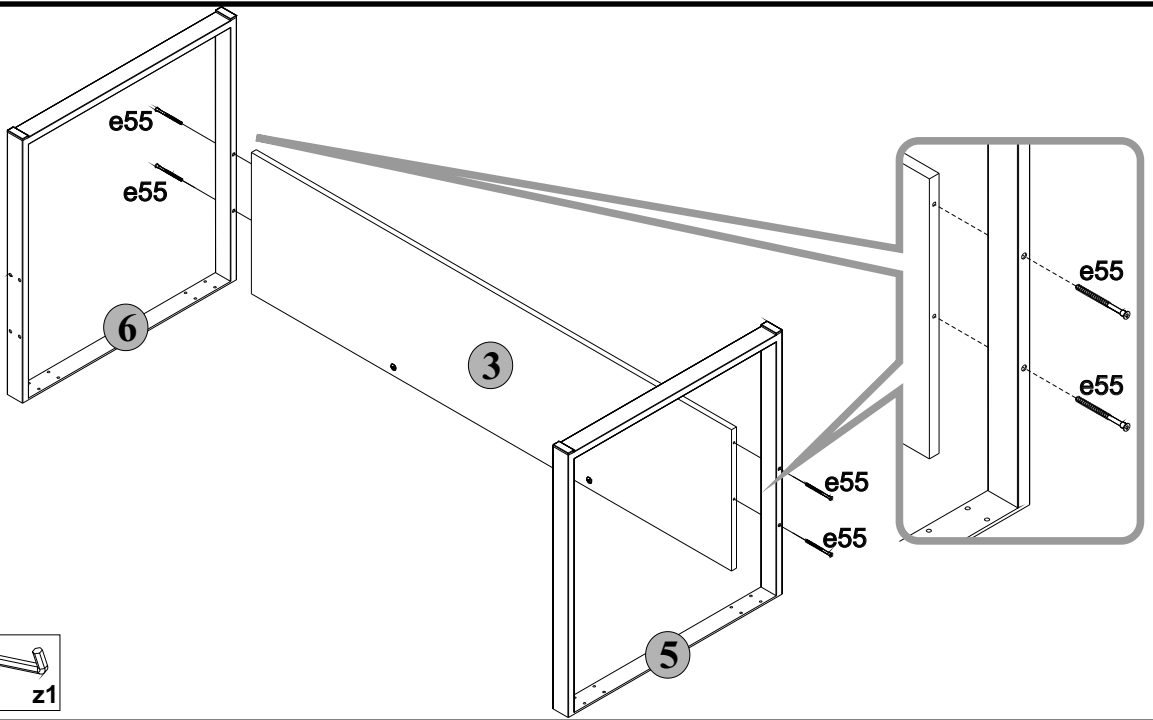
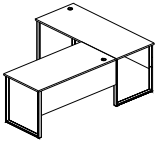
- | | | | |
|--|--|--|---|
| 4x  r1
φ15x12mm #16 | 4x  r42
20/11 | 2x  n210
150x50.3mm | 8x  p45
φ5x20 mm |
|--|--|--|---|



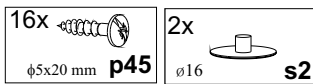
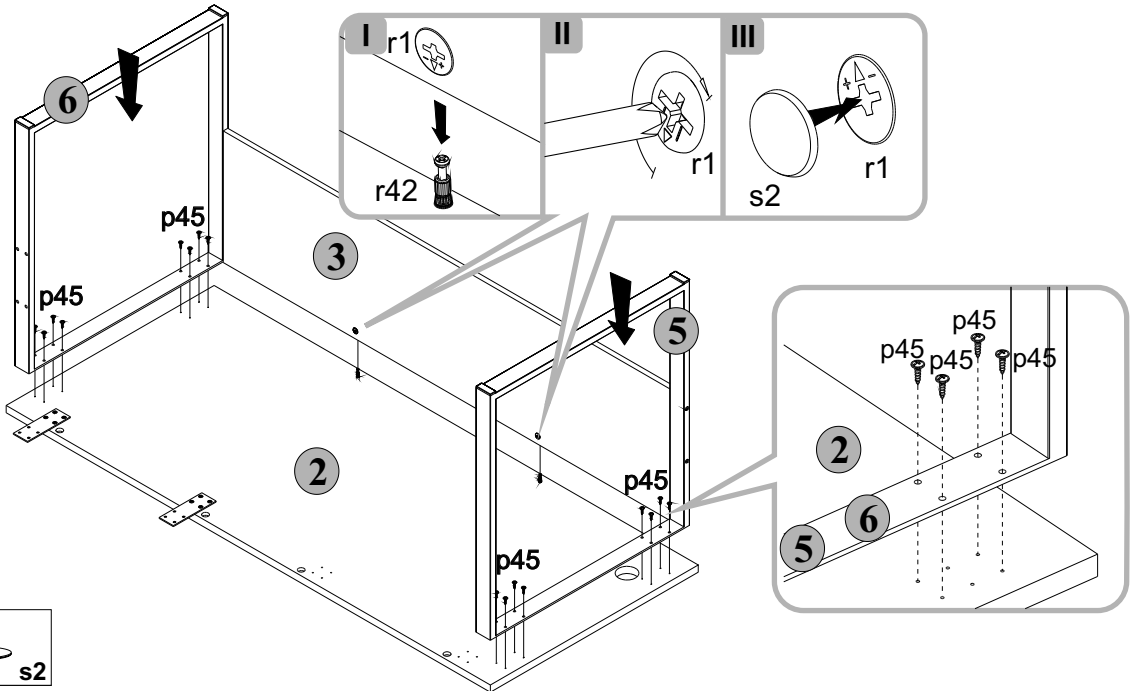
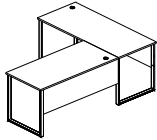


8**9**

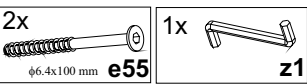
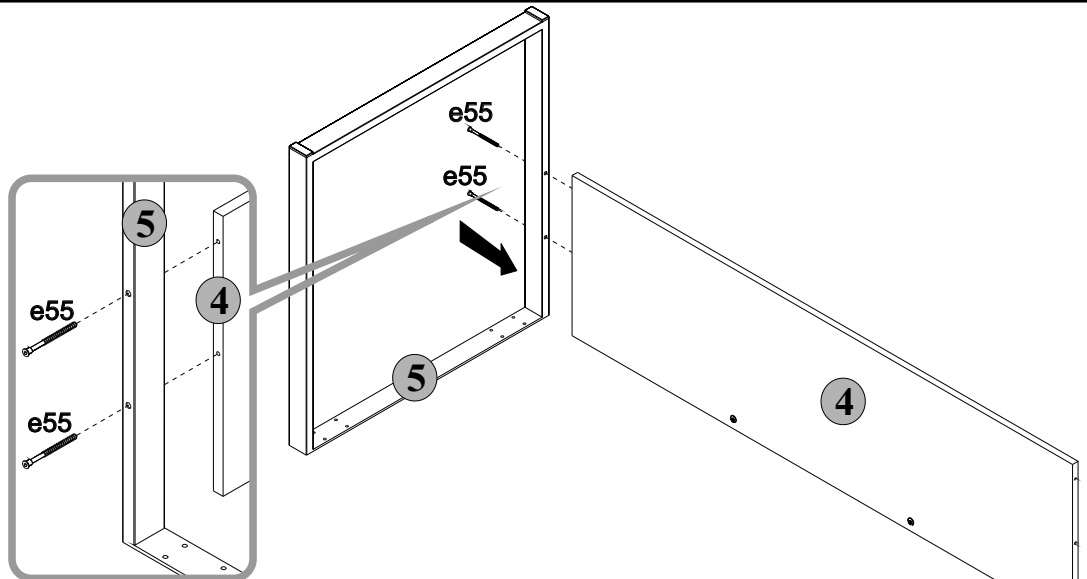
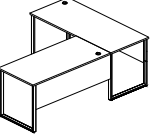
10



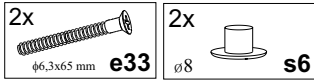
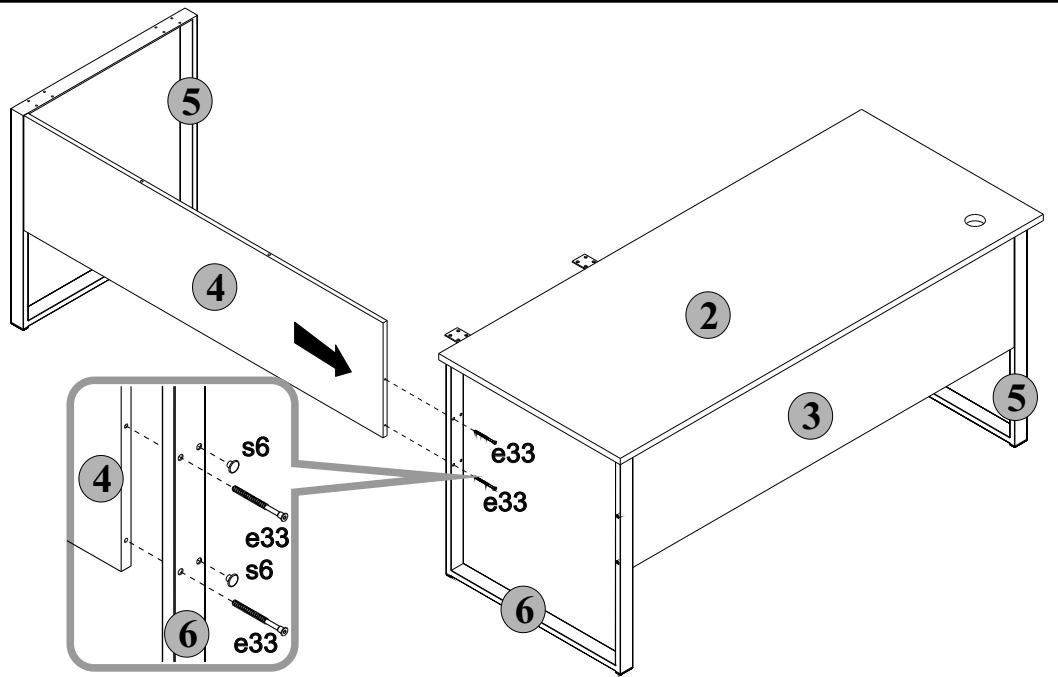
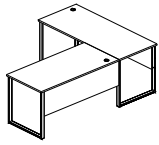
12



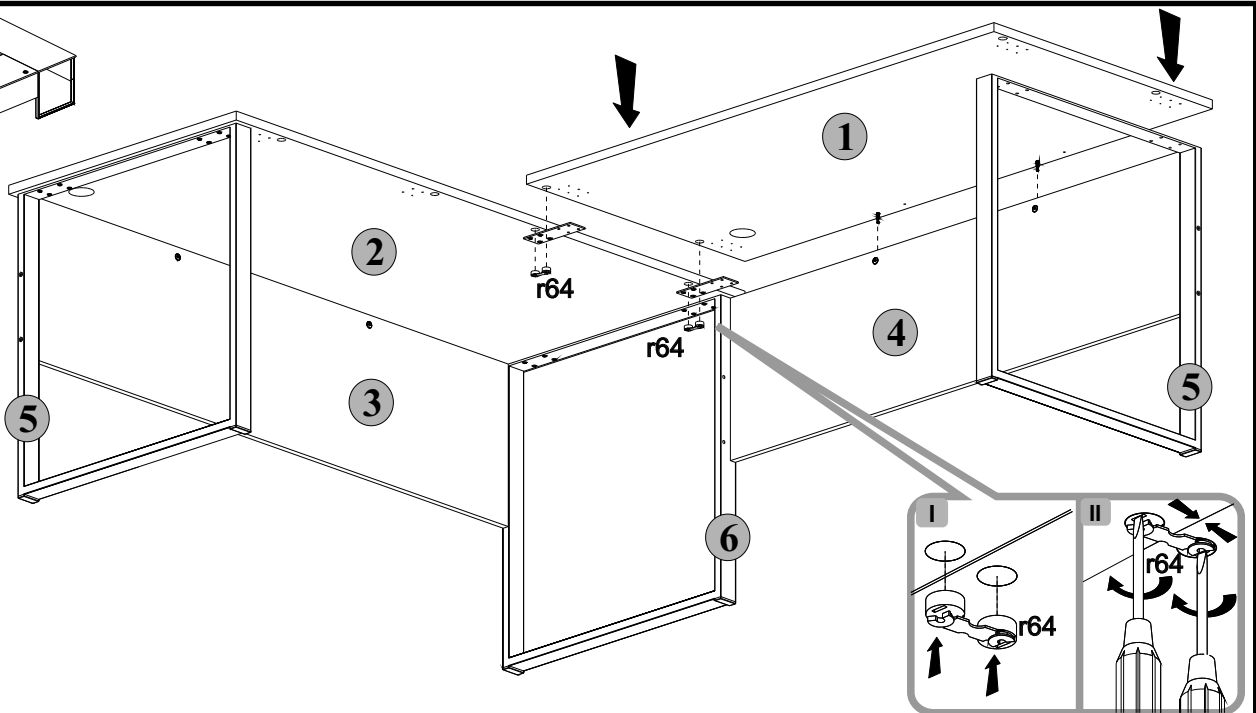
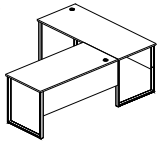
13



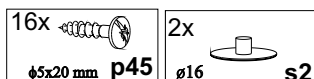
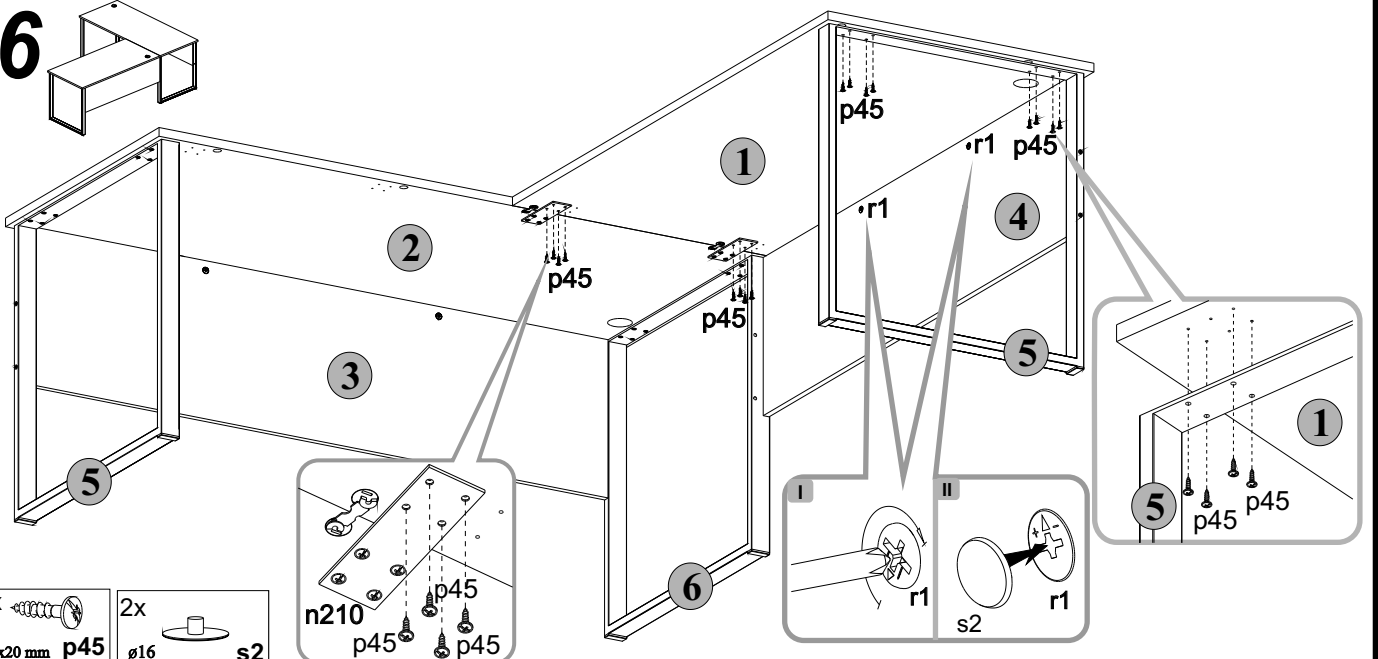
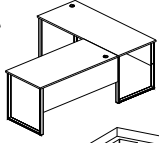
14



15



16



17

