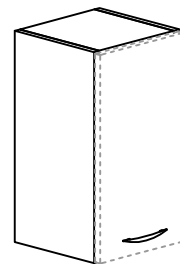


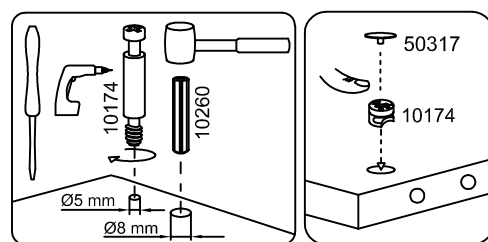
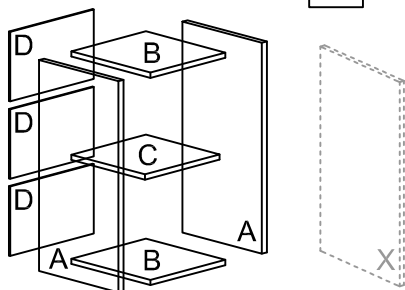
# Б-1,2,6,202, AP-1,2,6,202

	Б-1	Б-2	Б-6
A	2x 720x280	2x 720x280	2x 720x280
B	2x 268x280	2x 368x280	2x 418x280
C	268x260	368x260	418x260
D	3x 237x295	3x 237x395	3x 237x445

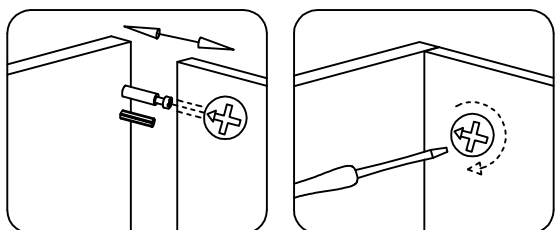
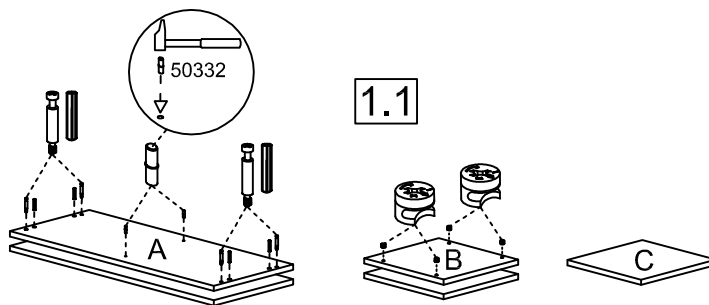


8x  10174	8x  10260	8x  50317	2x  40158	4x  50332	1x  20111
2x  Φ 4/30 10006	2x  50108	2x  10060	2x  Φ 6x80 10021	12x  Φ 3,5/16 10001	 10033
2x  M 4x18 10186	2x  M 4x20 10063				

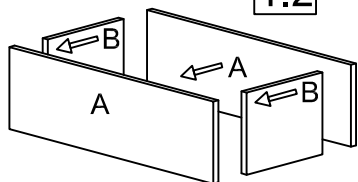
1



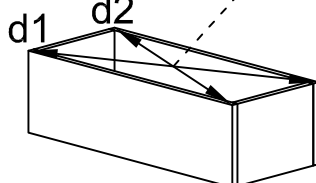
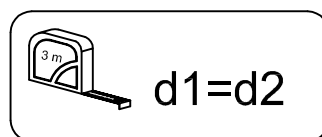
1.1



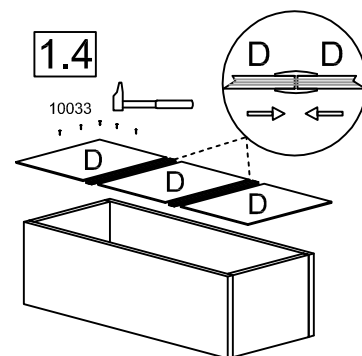
1.2



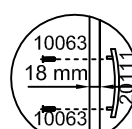
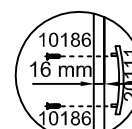
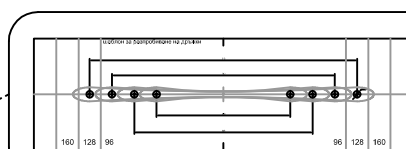
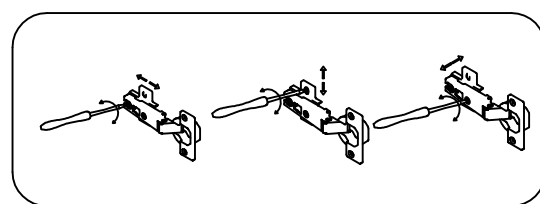
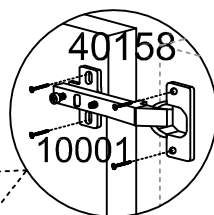
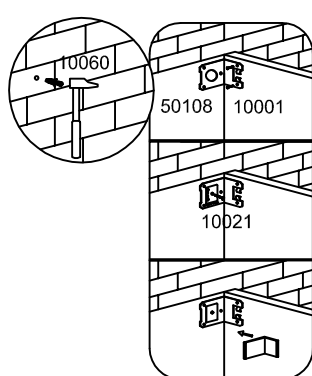
1.3





1.4

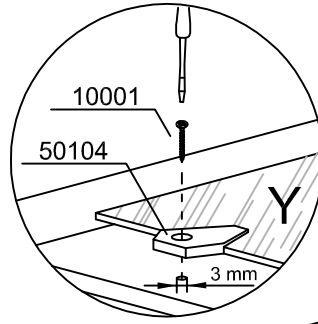
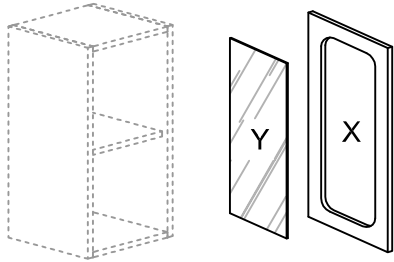


1.5

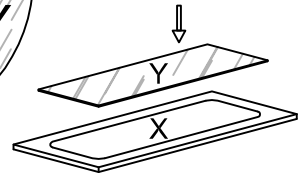


8x	8x
	
50104	Φ 3,5/16 10001

1



2



3

