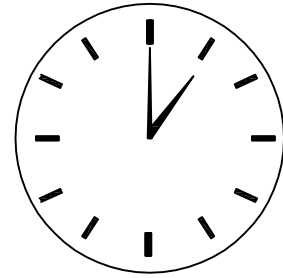
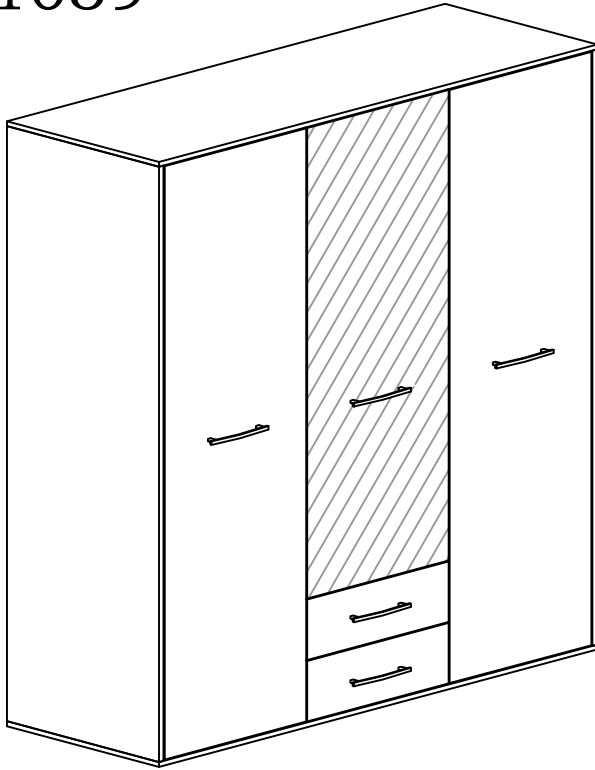
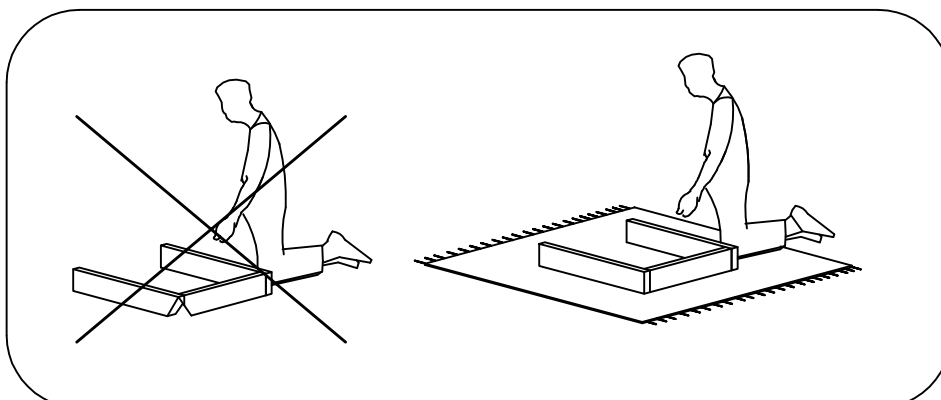
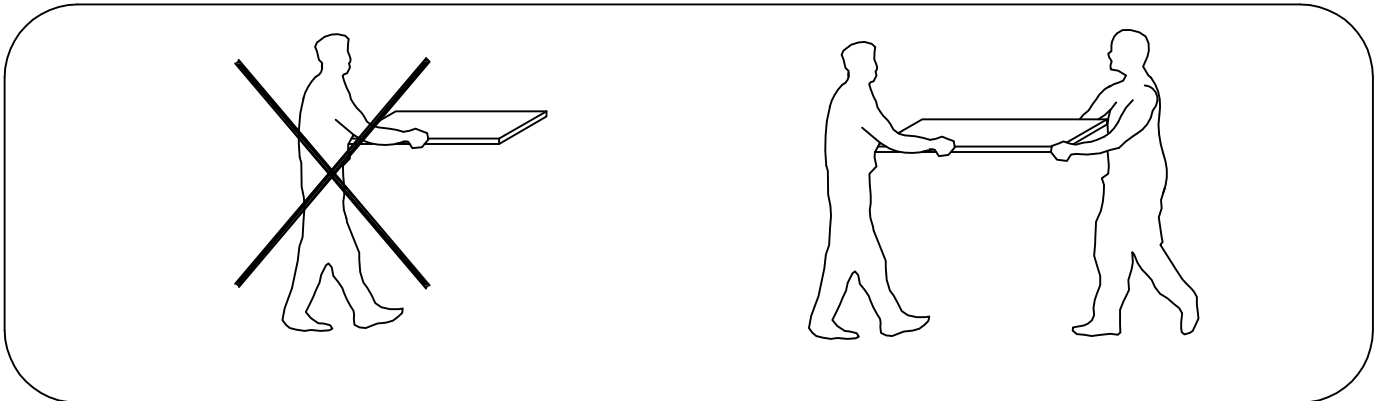
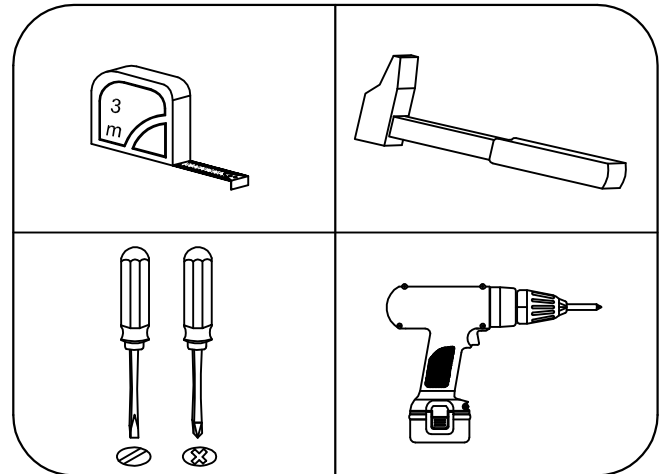
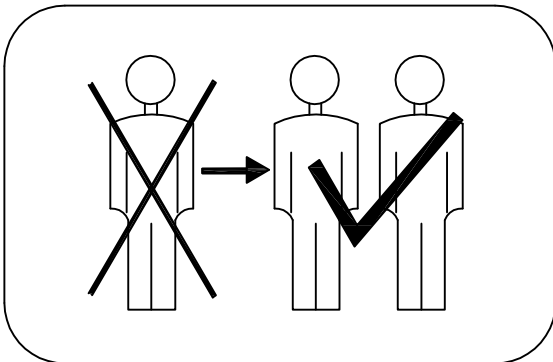


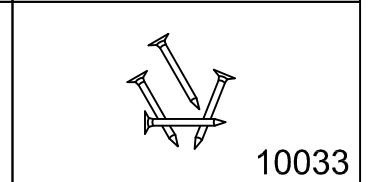
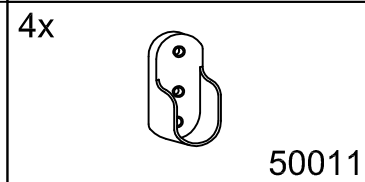
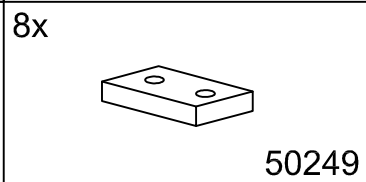
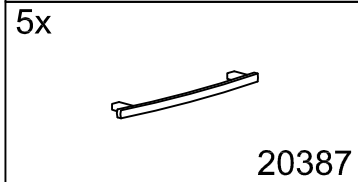
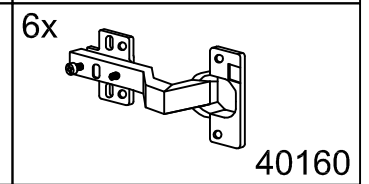
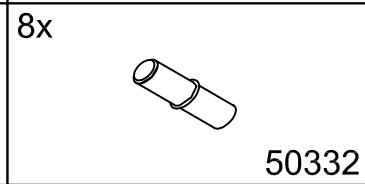
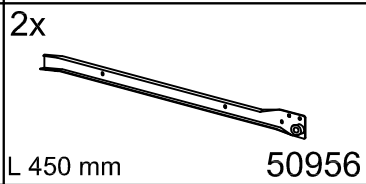
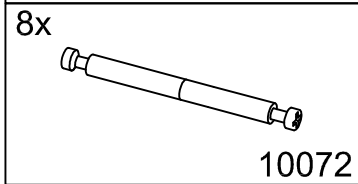
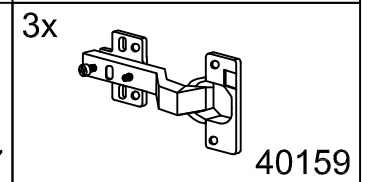
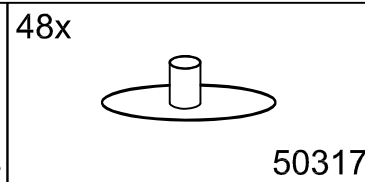
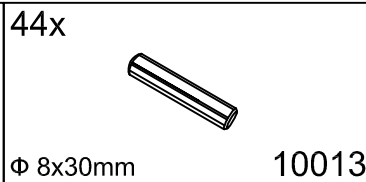
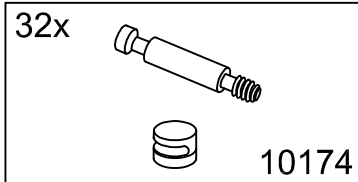
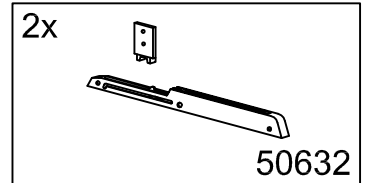
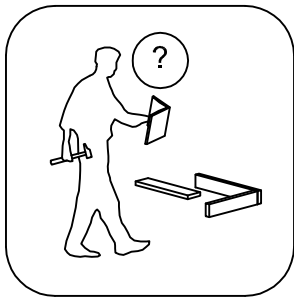
City 1039



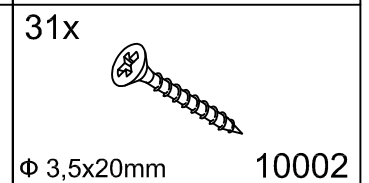
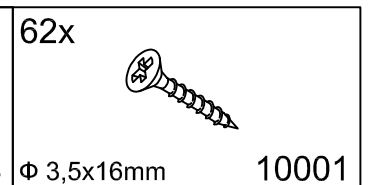
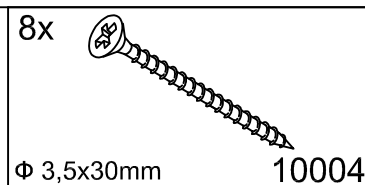
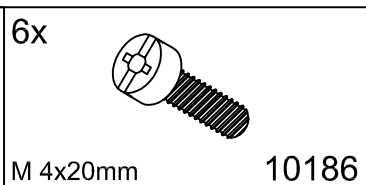
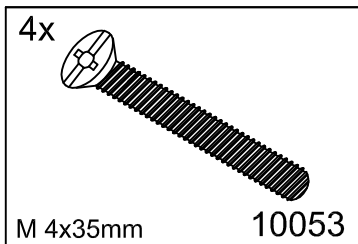
180 min.



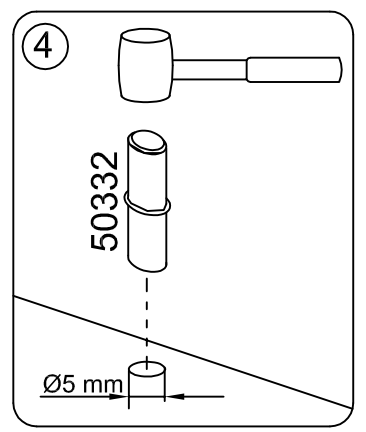
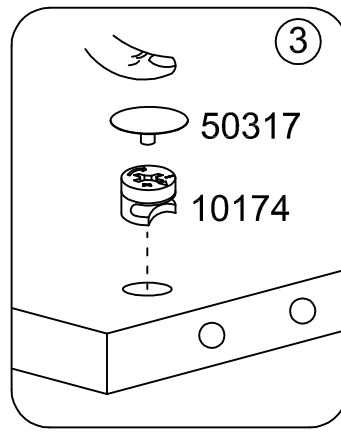
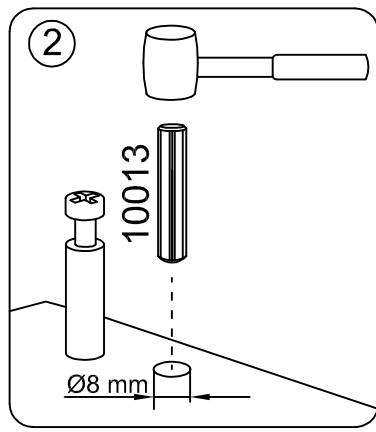
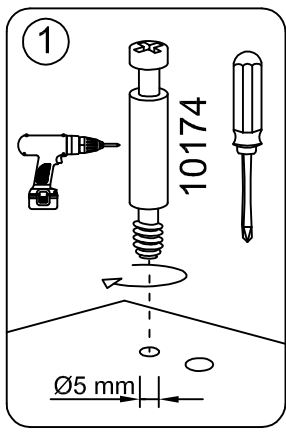
<http://www.irimbg.com/instructions/>



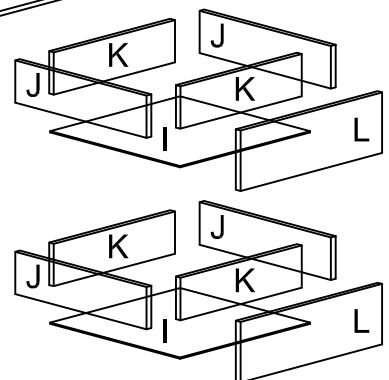
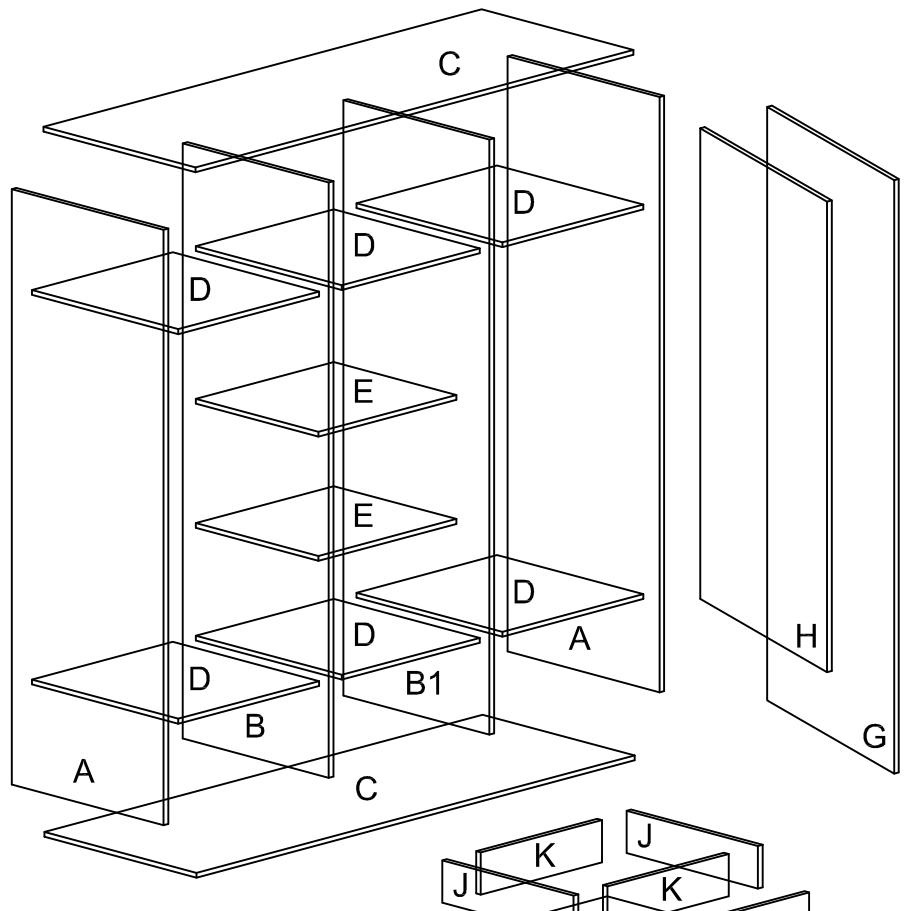
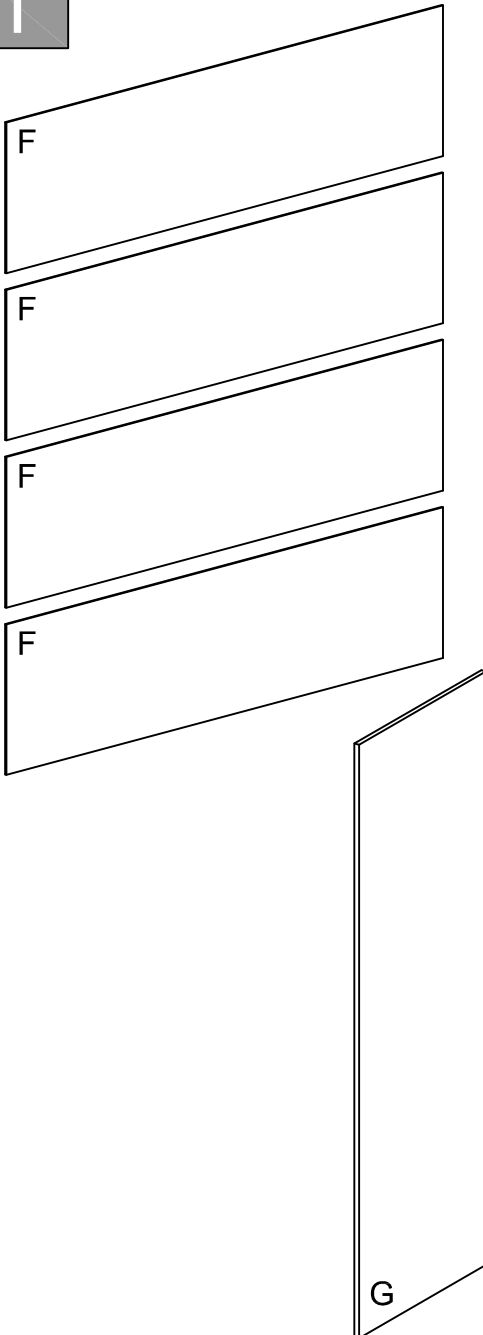
True size



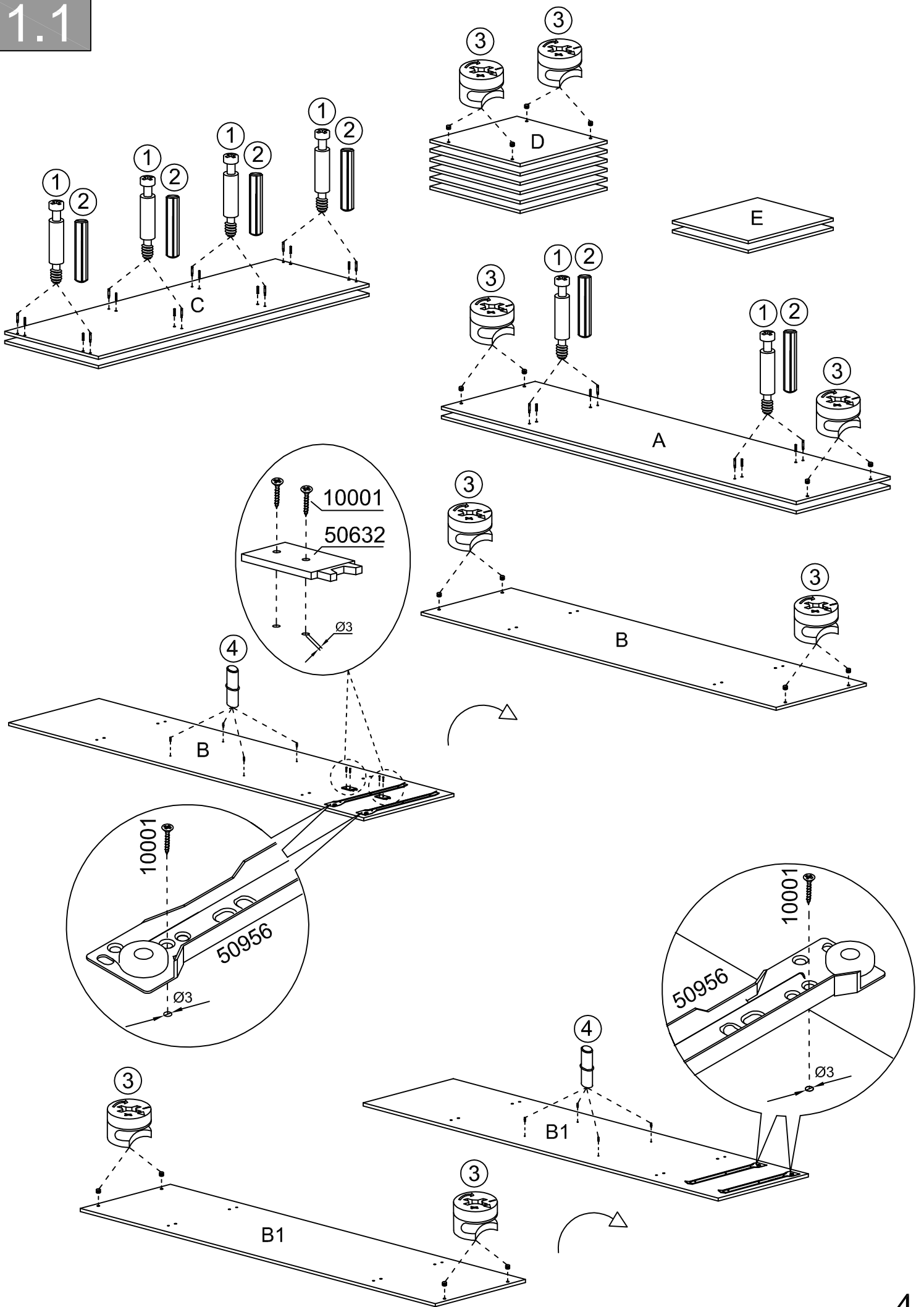
| | ↑ ↓ ↔ | Box number |
|------|-------------|------------|
| A | 2x 1968x520 | 1/6 |
| B,B1 | 2x 1968x500 | 2/6 |
| C | 2x 1498x520 | 3/6 |
| D | 6x 478x500 | 5/6 |
| E | 2x 478x420 | 5/6 |
| F | 4x 498x1493 | 3/6 |
| G | 2x 1962x485 | 4/6 |
| H | 1556x485 | 6/6 |
| I | 2x 448x448 | 3/6 |
| J | 4x 450x140 | 4/6 |
| K | 4x 421x140 | 4/6 |
| L | 2x 200x485 | 4/6 |



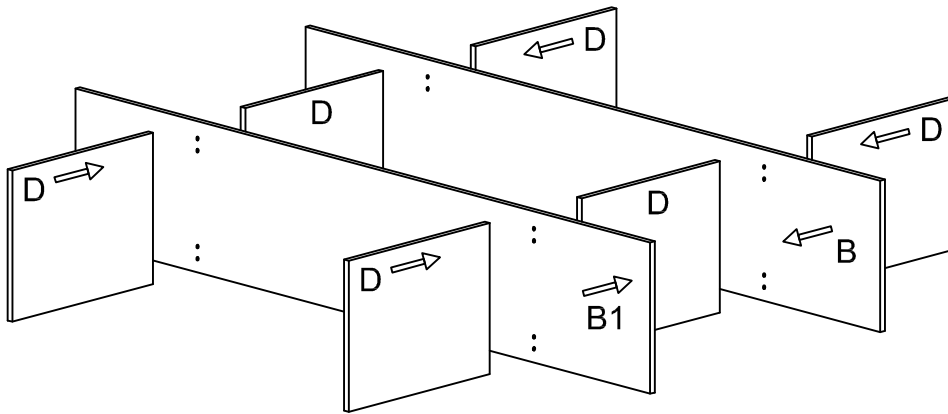
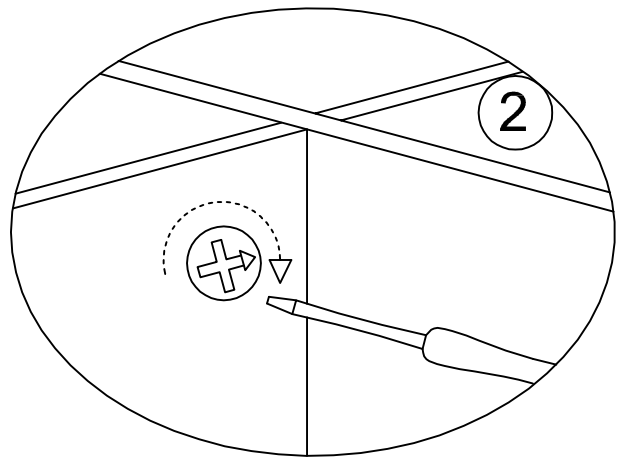
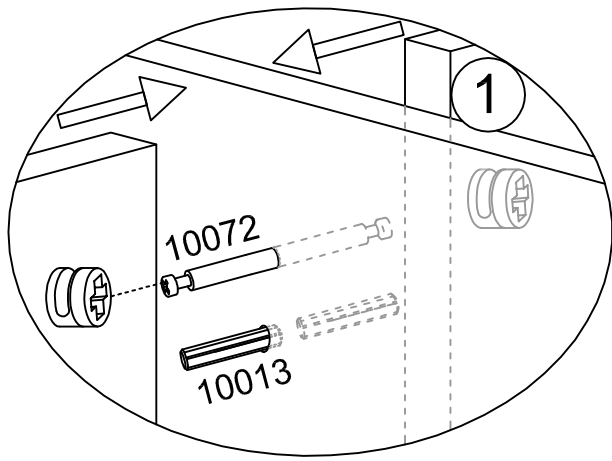
1



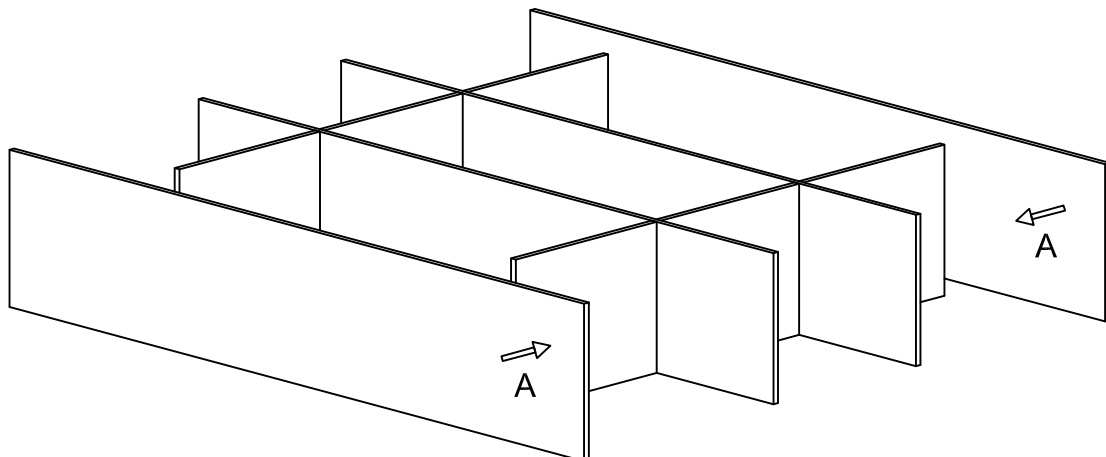
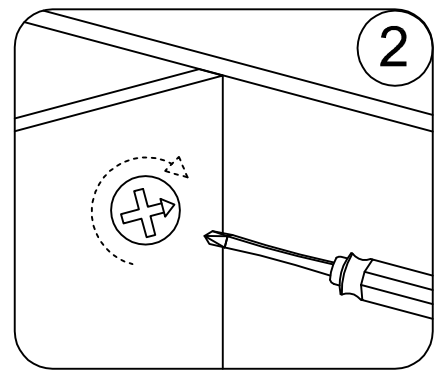
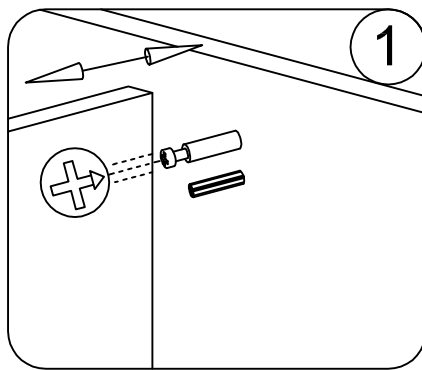
1.1



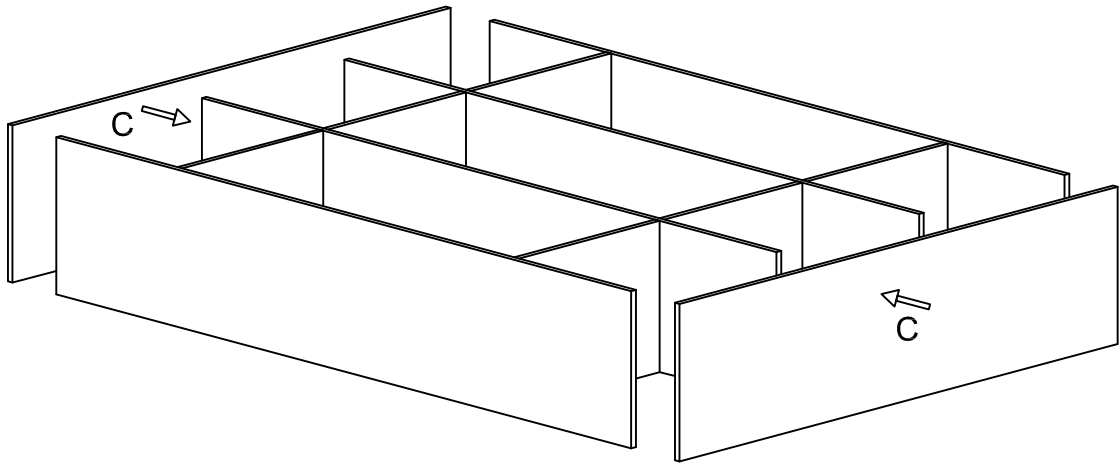
1.2



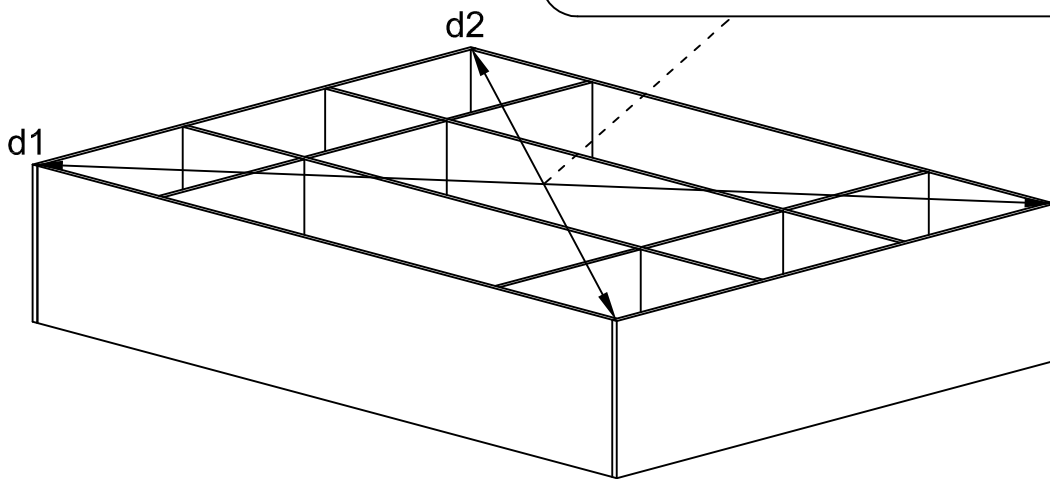
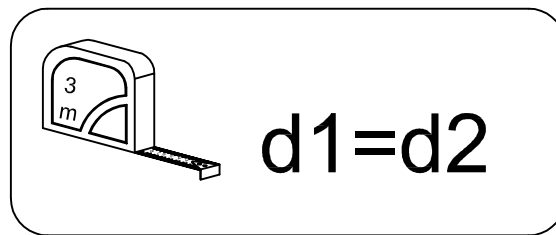
1.3



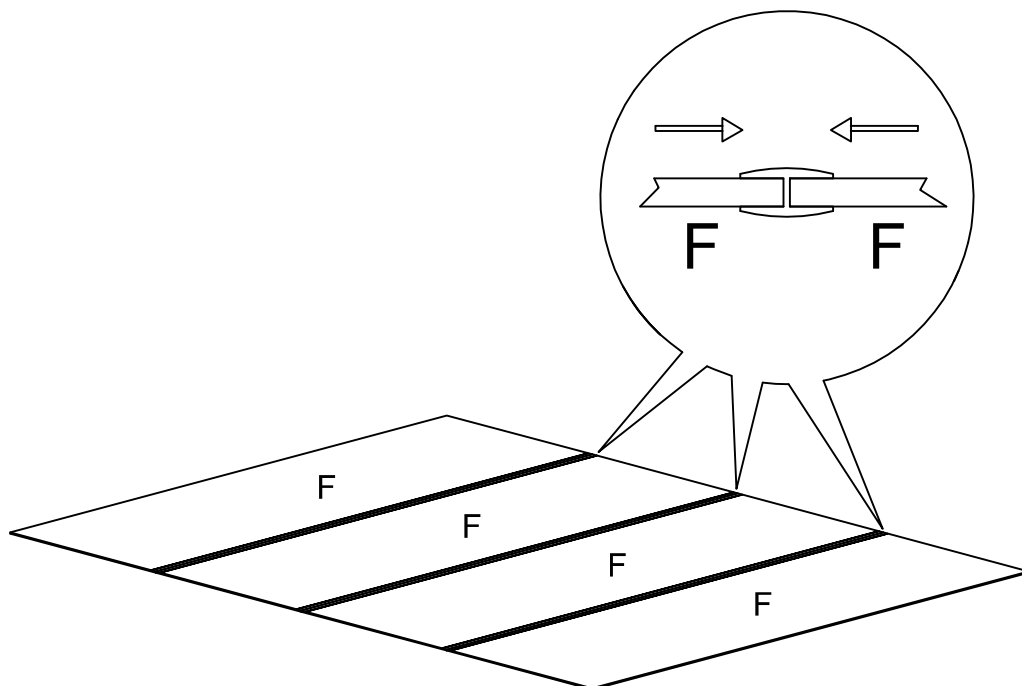
1.4



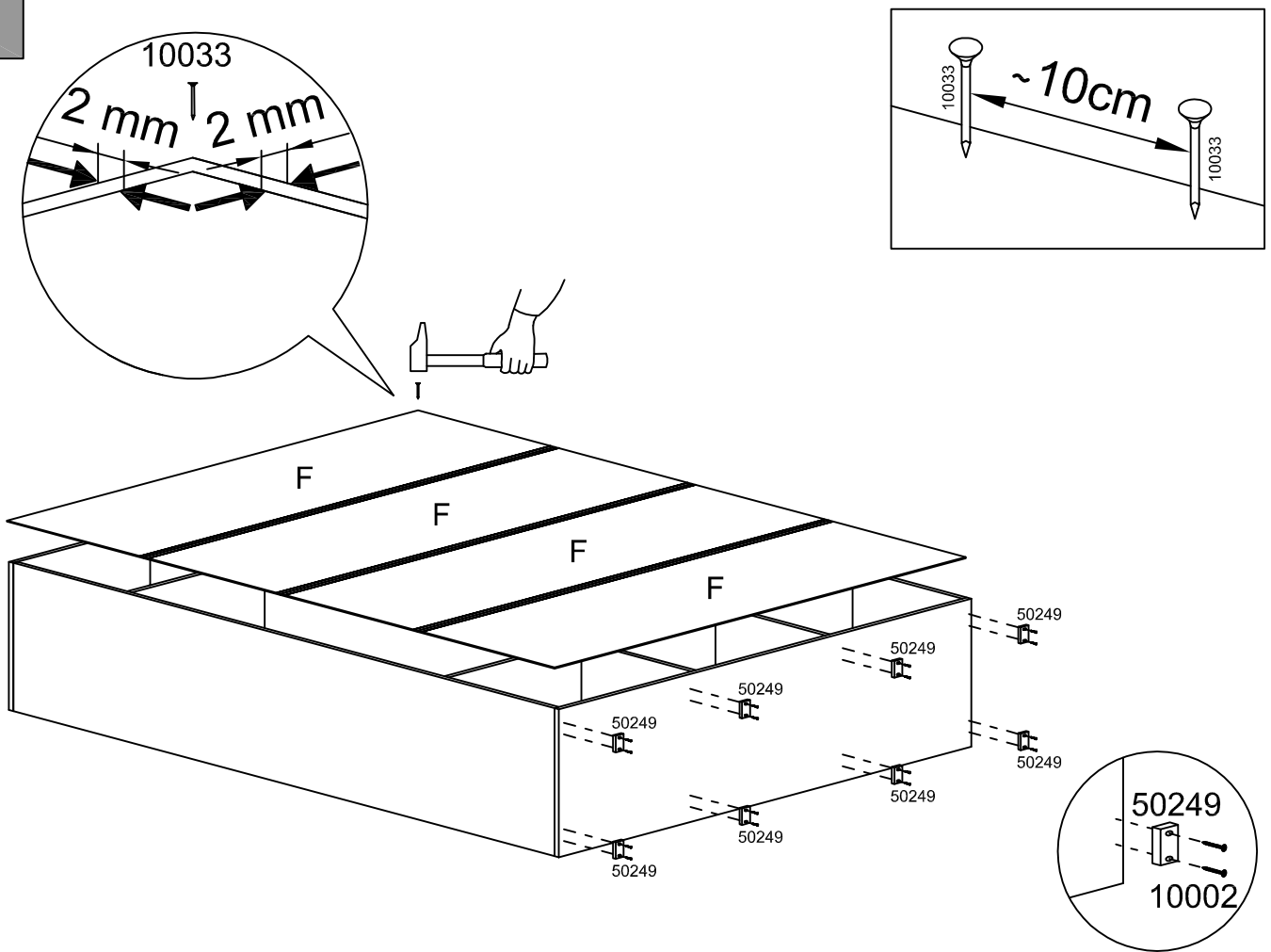
1.5



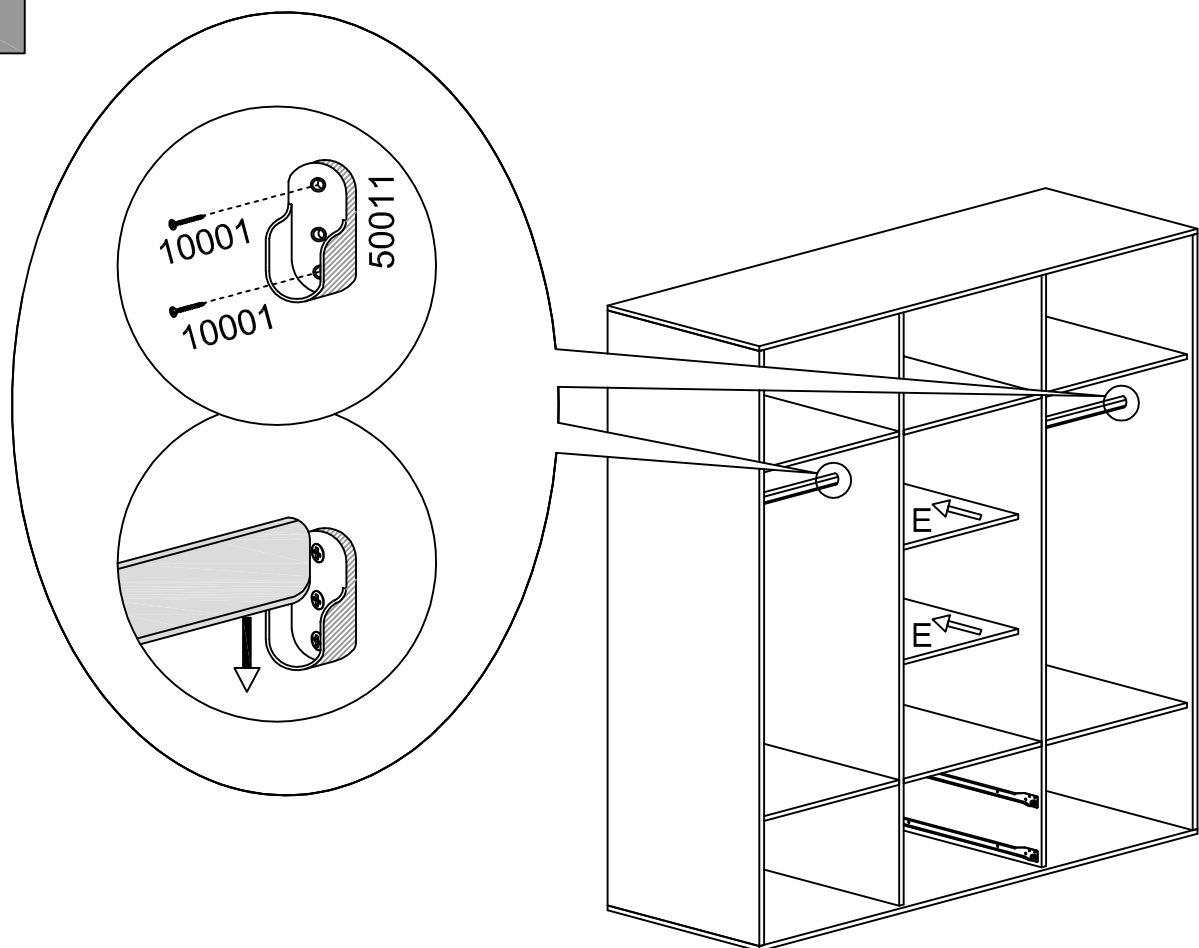
1.6



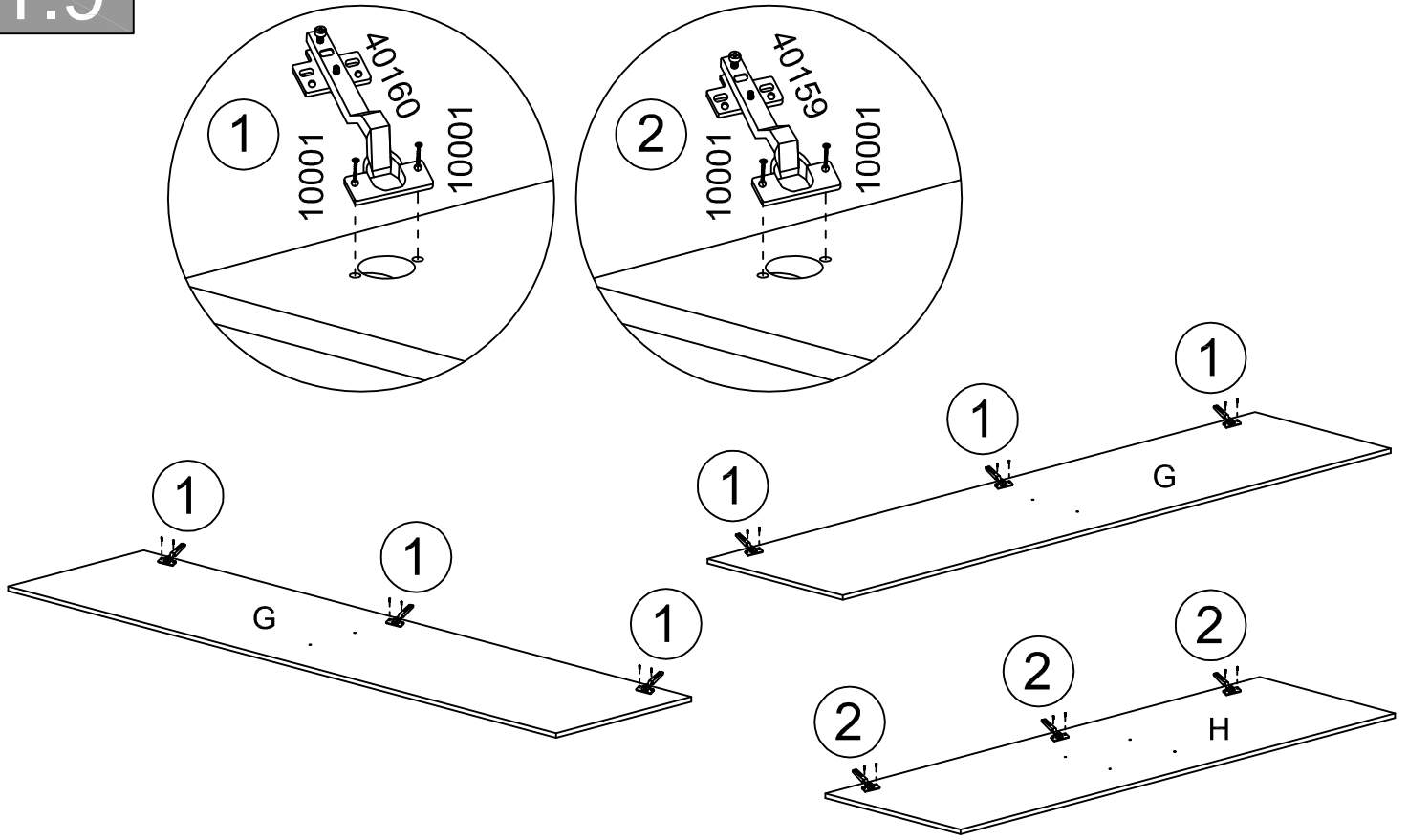
1.7



1.8



1.9



1.10

