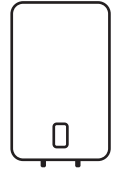


EWH 30-100 Fmx EEC
EWH 30-100 FmxDL EEC



- GB · Sealed storage electric water heater
- User's manual
- AL · Hermetikisht ngrohës uji elektrik me rezervuar
- Manuali i përdorimit
- PL · Hermetycznie akumulacyjny elektryczny podgrzewacz wody · Instrukcja obsługi
- RO · Ermetic încălzitor de apă electric de stocare
- Instrucțiuni de exploatare

- BG · Херметично акумулиращ електрически бойлер
- Ръководство за експлоатация
- GR · Σφραγισμένο ηλεκτρικός θερμοσίφωνας αποθήκευσης · Οδηγίες χρήσης
- CZ · Hermetický elektrický akumulační ohřivač vody · Návod k použití

Fill your life with
comfort



Get quick access to instructions, additional
product information and support
at our website
home-comfort.com



Electrolux

2 <http://www.home-comfort.com>

1. ENGLISH.....	4
2. SHQIP	18
3. POLSKI	32
4. ROMÂNĂ.....	46
5. БЪЛГАРСКИ.....	60
6. ΕΛΛΗΝΙΚΑ.....	74
7. ČESKÝ.....	88

CONTENT

1. INTRODUCTION.....	5
2. EQUIPMENT.....	5
3. SUMMARY OF THE WATER HEATER.....	5
4. CONTROL PANEL.....	6
5. WATER HEATER MOUNTING	8
6. WATER CONNECTION	9
7. ELECTRICAL CONNECTION.....	9
8. OPERATION.....	10
9. PRECAUTIONARY MEASURES	10
10. TROUBLESHOOTING	12
11. SPECIFICATIONS	13
12. DIMENSIONS.....	14
13. ELECTRICAL WIRING DIAGRAM.....	14
14. HANDLING AND TECHNICAL MAINTENANCE	15
15. TRANSPORT AND STORAGE.....	16
16. RECYCLING.....	16
17. WARRANTY.....	16
18. DATE OF MANUFACTURE.....	17

WE THINK ABOUT YOU

Thank you for purchasing an Electrolux appliance. You have chosen a product, backed by decades of professional experience and innovations. Unique and stylish, it was created with care for you. Therefore, whenever you use it, you can be sure that the results will always be excellent. Welcome to Electrolux!

At our website you can:



Find product recommendations, user manuals, maintenance information:
<http://www.home-comfort.com/support/>



While selling this device, dealer must fill “Product details” section located in the inside of the back cover of this manual.



Designation



Caution/Important safety information



Common information and recommendations

Warranty service is performed according to the terms specified in the “Warranty” section.

Note:

In the text of this manual, the storage electric water heater may have such technical names as appliance, device, etc.

Introduction

An electric storage water heater is designed to heat cold water from the water supply system for domestic purposes only. Water from the water heater is not intended for drinking or cooking.

The water heater should be mounted and started for the first time by a qualified technician who can be responsible for the correct installation and give recommendations on the use of the water heater.

When connecting, the applicable standards and regulations should be observed. Before installing the water heater, make sure that the socket is grounded.

If there is no grounding in the socket, it is necessary to ground the water heater with a separate grounding wire to the grounding terminal on the body of the water heater. In the absence of grounding, it is prohibited to install and operate the product.

The grounding terminal is located on the body of the water heater.



Warning!

Do not use portable socket outlets.



Warning!

Incorrect installation and operation of the electric water heater may lead to accidents or property damage.

Equipment

The water heater is equipped with basic elements for mounting and connection.

Fmx EEC / Fmx DL EEC water heater set includes:

- water heater with power cord + residual current device (RCD) – 1 pc;
- safety valve – 1 pc;
- user's manual – 1 pc;
- mounting template 1 pc.
- fixing anchor for installation – 2 pc;

Summary of the water heater

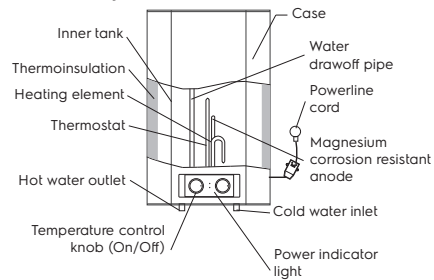


Figure 1. Fmx EEC

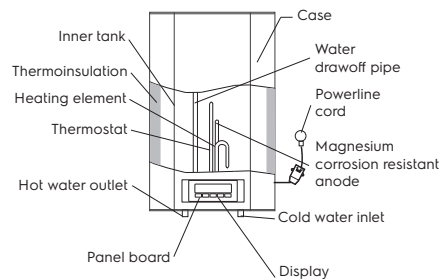


Figure 2. FmxDL EEC

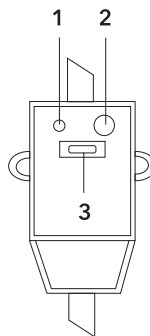
1. Automatic water temperature control: By opening a hot water tap on the mixer at the water heater outlet, cold water begins to flow into the inlet, filling the internal tank. The water mixes in the tank and its temperature decreases. The thermostat sensor reacts to a drop in water temperature, the thermal heating element automatically turns on and heats the water to the pre-set temperature. When the temperature reaches the set value, the thermal heating element is automatically turned off.
2. Water heater protection:
 - overheating protection;
 - corrosion protection;
 - protection from exceeding the permissible hydraulic pressure level.
3. Inner steel tanks with a special protective coating are manufactured according to the advanced method of electrostatic dry powder enameling. The special alloy of the inner tank is resistant to corrosion and scale. Protective coating of the inner tank is made of special fine-dispersion glass enamel. Enamel properties:
 - increased adhesiveness and high plasticity (hardened at temperature of 850 °C);

6 <http://www.home-comfort.com>

- expands or contracts with temperature changes the same way as the inner tank walls, forming no microcracks which could be tended to corrosion.
4. Dry heating elements (HE) are reliable and safe in operation, have a long service life. The heating elements are placed in protective metal casings, covered with a layer of finely dispersed glass enamel, which exclude direct contact of the heating elements with water; accordingly, scale does not form on the heating elements, which increases their performance and prolongs their service life.
 5. Mode (ECO) on the control panel provides:
 - water heating to a comfortable temperature, about 50-55 °C;
 - prevents scale formation;
 - increases the device operational life
 6. Internal thermal insulation allows to effectively keep the temperature of the heated water, minimizes heat loss and reduces energy consumption.
 7. Built-in temperature controller ensures constant and reliable water temperature control.
 8. The range of water heating temperature adjustment in Frx models is between 30 °C and 75 °C. The heating temperature is adjusted from left to right (clockwise) from minimum to ECO 55 °C to maximum. The maximum water heating temperature in FrxDL models is 75 °C. ECO – economical mode, about 55 °C. Using the buttons “+” or “-” on the control panel you can adjust the temperature with an accuracy of 1 °C.
 9. Simple and convenient operation and maintenance of the water heater.

RCD (residual-current device)

- 100% prevention of electric shock.
- Follow the installation instructions when connecting an electric storage water heater.
- When connected to the electrical power supply, the Power indicator (1) will light up on the front side of the RCD.
- To test the RCD, press TEST button (2). The Power indicator (1) will be off.
- To restart the RCD, press the button (3).



Control Panel

Panel board Fmx EEC

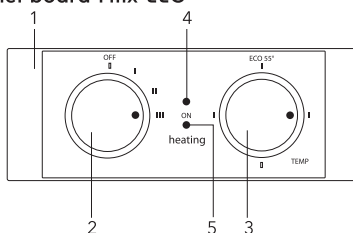


Figure 3

1. Panel board.
2. On/off knob (“ON”/“OFF”) – switching heating levels.
 - – mark “OFF” – turning off the heating.
 - ▬ – mark of heating turning on. First power stage 800 W.
 - ▮ – mark of turning on the second heating power stage 1200 W.
 - ▣ – mark of turning on the third heating power 2000 W.
3. Temperature control knob
 - – mark at the bottom corresponds to the minimum water temperature in the water heater (heating off).
 - ▬ – mark on the left corresponds to the minimum water heating temperature in the water heater (heating on).
 - ECO 55 – eco mode mark corresponds to the water heating temperature in the water heater up to 55 °C.
 - ▬ – mark on the right corresponds to the maximum water heating temperature in the water heater (75 °C)
4. “ON” indicator – lights up green when the water heater is connected to the network.
5. “HEATING” indicator – lights up red

when the heating component and water heating are operating.

Panel board FmxDL EEC

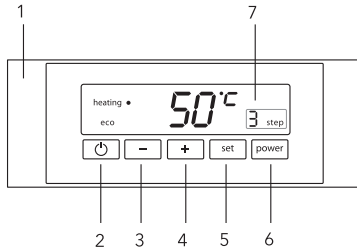


Figure 4

1. Panel board.
2. "ON"/"OFF" button – turning on/off the water heater (heating).
3. Temperature adjustment button – "-" temperature decrease.
4. Temperature adjustment button – "+" temperature increase.
5. "SET" button:
 - viewing the set temperature;
 - memorizing the set temperature;
 - setting the temperature from the water heater memory
6. "POWER" button – heating power adjustment.
7. Display of the selected heating power level:
 - 1 stage – 800 W.
 - 2 stage – 1200 W.
 - 3 stage – 2000 W.

The choice of power mode provides fast heating or allows the use of the water heater in rooms with limited power supply.

Networking models Fmx EEC

Insert the plug into a socket outlet and turn the water heater on. The indicator will light up. This means that the water heater is connected to the power supply network and supplied with power. Turn the temperature control knob counterclockwise to turn heating on. By adjusting the temperature, set the desired water heating level. Indicator «ECO» – economic mode, corresponds to heating temperature of about 55 °C. Water heating is automatically turned off when the set temperature is reached and turns on automatically for heating. If you want to turn off water heating, turn the temperature control knob to the «OFF» position. The power-on indicator will be lit while the water heater is connected to the power supply network. On

some models, when the heating element is turned on, the indicator light blinks. Upon some water consumption, the thermostat will turn the heating element on again.


Temperature setting

Water heater temperature adjustment range is between 30 °C (minimum) and 75 °C (maximum). The temperature is set using the regulator located on the front panel of the device.

Networking models FmxDL EEC

Plug the water heater into a socket. The water heater will start self-diagnosis. The indication on the display will flash for about 2 seconds, only the indication of the temperature of the water in the water heater will be on – the water heater has switched to "STAND BY" mode. If the water heater detects any errors during self-diagnosis, the entire display will flash continuously.

Turning on and setting the temperature

After pressing the button  the water heater will turn on and the Heating indicator will light up red, the last set temperature or the factory setting ECO – 55 °C set during the first start-up, will flash red for 2 seconds. After 2 seconds, the set temperature display will turn off and water heating will start. The display will show the temperature of the water in the water heater.

For ease of use, you can set an individual water heating temperature mode, which will be maintained by the water heater every time it is turned on.

Press SET and hold for 3 seconds. The set temperature will flash (35 °C). If you agree, quickly press SET once to confirm. The temperature is set in the instrument's memory and heating will start. If you want to change the temperature, use "+" or "-" keys. After selecting the temperature, it will flash for 3 seconds, then you need to quickly press SET once to confirm. If you do not press SET to confirm, the temperature you have selected will flash for 3 seconds, after which heating will begin, the selected temperature will only be maintained until the water heater is turned off by the user. The selected temperature will not be saved.

The temperature indication on the display shows the temperature of the water in the water heater. To see what temperature is set during heating, press SET once quickly and the set temperature will be displayed for 3 seconds. After 3 seconds, the temperature

of the water in the water heater will be displayed.
When the temperature reaches the set temperature, the "HEATING" indicator will turn off.

Antifreeze mode

To prevent water from freezing, the water heater automatically starts heating when the water temperature in the inner tank drops below 6 °C. When the temperature reaches 10 °C, the heating stops. The function works when the device is connected to the power supply. It is available in FmxDL EEC series.

If there is a power outage in the room

1. If the electricity is cut off during heating, then after turning on the electricity in the room, the water heater will turn on for heating, as it was set before.
2. If the water heater was not turned on, was in the "STAND BY" mode, after turning on the electricity in the room, the water heater will not start heating.

Water heater mounting



Make sure to use original parts supplied by the manufacturer to mount the water heater, which can hold the weight of the water filled heater. Do not mount the water heater on the holding until you are sure that it is secure. Otherwise, the water heater may fall off the wall, causing damage or serious injury. When choosing sites for holes for fastening bolts, make sure that there is at least a 0.2 m gap on both sides from the walls of the bathroom or other room to the water heater body, and at least 0.5 m at the side of the pipe connection, to provide access for maintenance if necessary.

If the water heater is supplied with water directly from wells or water towers, during operation a coarse filter has to be used for cold water coming into the water heater.

1. Installation of water heaters of Fmx EEC, FmxDL EEC series is greatly facilitated by the ability to install them both vertically and horizontally anywhere in your house, in a heated (!) room. It is advisable to install the water heater as close as possible to the point of use of hot water, because the shorter the length of the pipes, the less heat loss is. As shown in Fig. 9, when installing the water heater horizontally, the supply

pipes must be located on the left. When installing the water heater next to a wall, leave the recommended clearance for maintenance. Do not install the water heater on a horizontal surface and close to the floor.

2. After selecting the mounting location, determine the locations for the two hook bolts (depending on the specifications of the selected item). Make two holes in the wall of the required depth using a drill bit that matches the size of the mounting bolts, insert the screws, turn the hook up, tighten the nuts, and then install the electric water heater on it (see Fig. 5).

Mounting anchor

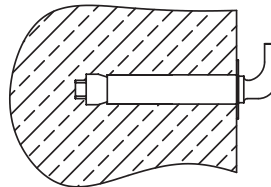


Figure 5

Storage volume, l	27	46	73	93
Distance between holes, mm	196			

3. If the bathroom is too small to mount a water heater, it can be mounted in any other room protected from direct sunlight and rain. However, to reduce heat losses in the pipeline, the water heater should be mounted as close as possible to the site of hot water application.
4. During connection to the water supply system, it is necessary to provide and mount individual shut-off valves on the cold water supply line to the water heater and on the hot water outlet line. Individual shut-off valves on the hot and cold water lines should be closed during the period of non-use of the water heater, maintenance and technological works on the water supply line. The mounting and correct use of shut-off valves is deemed a prerequisite for the warranty service coverage and for guaranteed long and trouble-free operation of the water heater.

Water connection

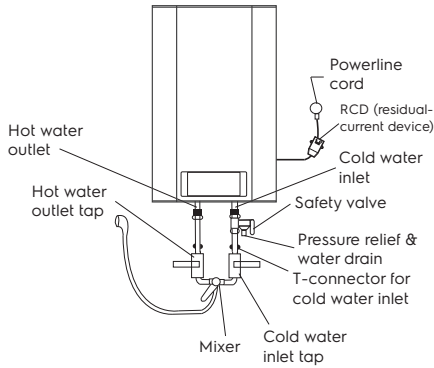


Figure 6

1. To connect a water heater to the water supply, the pipes with G1/2 diameter are used.
2. Relief check valve connection: the valve should be mounted at the cold water inlet (make sure the flexible drain hose is mounted on the pressure relief and water drain hole and flowing down to the special drain to remove water).
3. To avoid leakage when connecting the pipeline to the threaded connections, mount complete rubber gaskets.
4. If the water supply system should be mounted for several water draw-off points, use the connection method (see Figure 7).
5. If the main pressure can exceed 5 bar, be sure to install a water pressure reducer. In the absence of a pressure reducer and excess pressure in the cold water main, the device is not maintained under warranty.

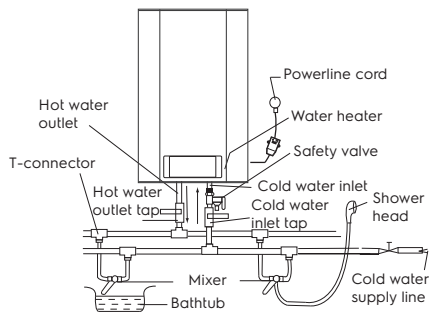


Figure 7

6. Installation of water heaters of Fmx, Fmx DL series is greatly facilitated by the ability to install them both vertically and horizontally anywhere in your house, in a heated room. It is advisable to install the water heater as close as possible to the point of use of hot water, since the shorter the pipes, the less heat loss is. When installing the water heater horizontally, the supply pipes must be located on the left. When installing the water heater next to a wall, leave the recommended clearance for maintenance. Do not install the water heater on a horizontal surface and close to the floor. (see Fig. 8)

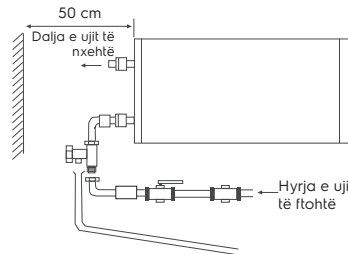


Figure 8

Electrical connection

All water heaters of the series are designed to be connected to an electrical network with 220/240 V single-phase voltage. Before connection, make sure that the electrical network parameters at the connection point correspond to the parameters indicated on the heater rating plate.

When mounting the water heater, the current electrical safety regulations have to be observed.

When mounting the water heater in a bathroom or a lavatory, the restrictions of prohibited and protective areas should be complied with.

Prohibited area is a space bounded by tangential and vertical surfaces in relation to the outer edges of the bathtub, toilet or shower unit and a surface located above them or above the floor, if the plumbing is mounted on the floor, at a height of 2.25 m.

Protective volume is a space bounded by horizontal surfaces coinciding with the prohibited area surfaces, and the vertical surfaces are 1 m apart from the corresponding surfaces of the prohibited area.

Calculated data for copper
 Selection of cable (wire) cross-section
 by power and length, made of copper,
 U = 220 V, one phase.

P, kW	1	2	3	3,5	4	6	8
I, A	4,5	9,1	13,6	15,9	18,2	27,3	36,4
Conductor cross-section, mm ²	1	1	1,5	2,5	2,5	4	6
Maximum allowable cable length at the specified cross-section, m	34,6	17,3	17,3	24,7	21,6	23	27

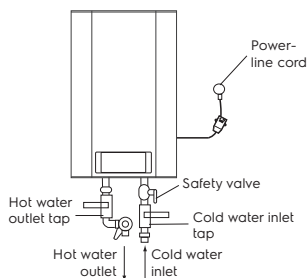


Figure 9

Operation

Water filling

Once the water heater is mounted, close the hot water inlet to the apartment, open the cold water supply valve. Open the hot water tap on the mixer. As soon as the water heater is full, water will flow out, close the hot water tap on the mixer and make sure there are no leaks. If you are not sure if there is water in the water heater, do not connect it to the power supply network.

Precautionary measures

1. The power supply socket has to be reliably grounded. The rated current of the socket has to be at least 10 A. The socket and plug have to be always dry to prevent short circuits in the electrical network. Check periodically that the plug is firmly inserted into the outlet. The test method is as follows: insert the power plug into the socket outlet, in half an hour, turn the water heater off and remove the plug from the socket outlet. Check if the plug is warm to the touch. If you feel with your hand that it is warm (at temperatures above 50 °C), please replace the socket with another one where the plug fits firmly. This will help prevent fire, plug damage or other accidents due to poor contact.
2. The wall with the water heater mounted has to be designed for a load twice the total weight of the water heater filled with water. Otherwise, additional measures should be taken to support the product.
3. The safety valve should be mounted at the water inlet (see figure 9).
4. When using the water heater for the first time (or when using it for the first time after maintenance or cleaning), do not switch on the power of the water heater until it is completely filled with water. While filling the water heater tank, open the hot water tap to release the air. As soon as the tank is filled with water and water flows from the tap, the tap can be closed.
5. When the water is heating, water may come out of the pressure relief of the safety valve. This is considered normal. However, in the event of significant leaks, contact the service technician. Under no circumstances, the pressure relief should be blocked; otherwise, it may damage the water heater.
6. A drainage pipe has to be mounted on the pressure relief hole in the safety valve and led down to the drain in case of water drain. The drainage pipe connected to the pressure relief hole has to point downward.
7. Because the water temperature inside the water heater can reach 75 °C, hot water should not get on the human body. To avoid burns, you can adjust the water temperature using the mixer tap.
8. In case of long absence, repair, technological and preventive works on the water supply line or long-term non-use of the water heater, the individual shut-off valves on the cold water supply line to the water heater and on the hot outlet line have to be closed, and the water heater to be turned off and disconnected from the power supply by removing the plug from the socket outlet.
9. In the case of using the water heater in facilities with centralized water supply, during the hot water cut-off period, close the shut-off valve for hot water supply from

the supply lines (standpipe).

10. The water from the water heater can be drained using the safety valve, while shutting off the cold water supply to the water heater and opening the drain handle on the safety valve. In this case, the water is drained from the water heater through the drain hole in the valve into the sewerage system (when draining the water, open the hot water tap on the mixer to release air).

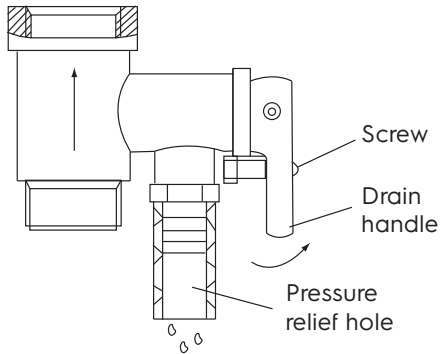


Figure 10

11. If the flexible power cord is broken, replace it with a similar one supplied by the manufacturer. Replacements should be performed by experienced service technicians.
12. In case of damage to any part of the water heater, contact the service technicians for repair. Use only spare parts supplied by the manufacturer.
13. This heater is not intended for use by people (including children) with reduced physical or mental capabilities and lack of skills or knowledge, unless they are shown and properly instructed by a person responsible for their safety.
14. The water should be completely drained out of the water heater if it is not used for a long time or the temperature in the room where it is mounted may drop below 0 °C.

Troubleshooting

Failures	Reasons	Elimination
Heating indicator off	Temperature controller failure	Contact a service technician for repairs
No water out of the hot water tap	<ol style="list-style-type: none"> 1. Water supply is shut off 2. Water pressure is too low 3. Water inlet valve is closed 	<ol style="list-style-type: none"> 1. Wait for water supply restored 2. Use the water heater when the water pressure increases again 3. Open the water inlet valve
Temperature of the supplied hot water exceeds the permissible level	Failure of the temperature control system	<ol style="list-style-type: none"> 1. Immediately turn off the water heater from the power supply network 2. Contact service technicians for repair
No water heating	Heating not turned on	Switch the ON / OFF knob to the low position <ol style="list-style-type: none"> 1. Disconnect the water heater from the power supply network 2. Cool down the water heater by opening a hot tap water and keeping it open until the water temperature drops 3. Remove the cover 4. Press the small button on the safety switch case 5. Put the cover and reconnect the device to the power supply network 6. If the fault is repeated, contact your service technician
	The protective thermal sensor has triggered	
	Heating element damaged	Contact a service technician
	Defective electronic board	Contact a service technician
Water leakage	Pipe seal failure	Replace a seal
All indication flashes for more than 10 seconds	There are possible errors in the operation of the water heater	Turn off the water heater from the network and turn it on again. If the display flashes again for more than 10 seconds, call a service technician.

Specifications

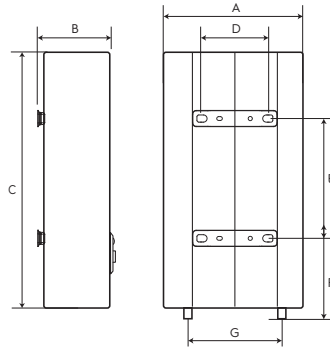
Model	EWH 30 Fmx EEC	EWH 50 Fmx EEC	EWH 80 Fmx EEC	EWH 100 Fmx EEC
Storage volume, l	27	46	73	93
Rated power, W	2000	2000	2000	2000
Supply voltage, V-Hz	220-240-50	220-240-50	220-240-50	220-240-50
Amperage, A	9.09	9.09	9.09	9.09
Minimum pressure, Bar	0,8	0,8	0,8	0,8
Maximum pressure*, Bar	7.5	7.5	7.5	7.5
Maximum water temperature, °C	75	75	75	75
Class of electrical protection	I class	I class	I class	I class
Safety level	IPX4	IPX4	IPX4	IPX4
Heating time from 10 °C to 75 °C**, min.	71.4	119.04	190.8	238.8
Size of device (W×H×D), mm	344×545×359	344×825×359	454×729×469	454×879×469
Package size (W×H×D), mm	429×640×429	429×920×429	539×849×539	539×999×539
Net/Gross weight, kg	16.08/17.75	22.08/24.09	27.17/31.21	31.76/35.8

Model	EWH 30 FmxDL EEC	EWH 50 FmxDL EEC	EWH 80 FmxDL EEC	EWH 100 FmxDL EEC
Storage volume, l	27	46	73	93
Rated power, W	2000	2000	2000	2000
Supply voltage, V-Hz	220-240-50	220-240-50	220-240-50	220-240-50
Amperage, A	9.09	9.09	9.09	9.09
Minimum pressure, Bar	0,8	0,8	0,8	0,8
Maximum pressure*, Bar	7.5	7.5	7.5	7.5
Maximum water temperature, °C	75	75	75	75
Class of electrical protection	I class	I class	I class	I class
Safety level	IPX4	IPX4	IPX4	IPX4
Heating time from 10 °C to 75 °C**, min.	71.4	119.04	190.8	238.8
Size of device (W×H×D), mm	344×545×359	344×825×359	454×729×469	454×879×469
Package size (W×H×D), mm	429×640×429	429×920×429	539×849×539	539×999×539
Net/Gross weight, kg	16.06/17.65	22.09/24.1	24.1/28.22	31.77/35.31

* At maximum pressure, the excess pressure is released through the safety valve. If the water supply pressure exceeds 7.5 bar (nominal working pressure), a pressure reducing valve should be installed.

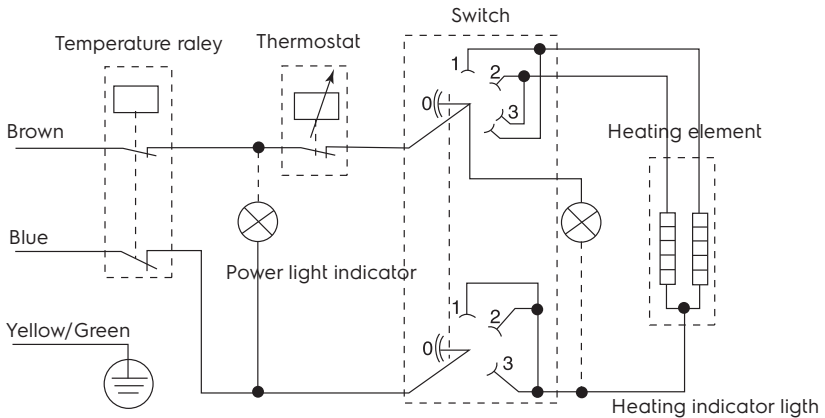
** Heating times are based on full heating power and calculated under ideal ambient conditions. The manufacturer reserves the right to make changes.

Dimensions

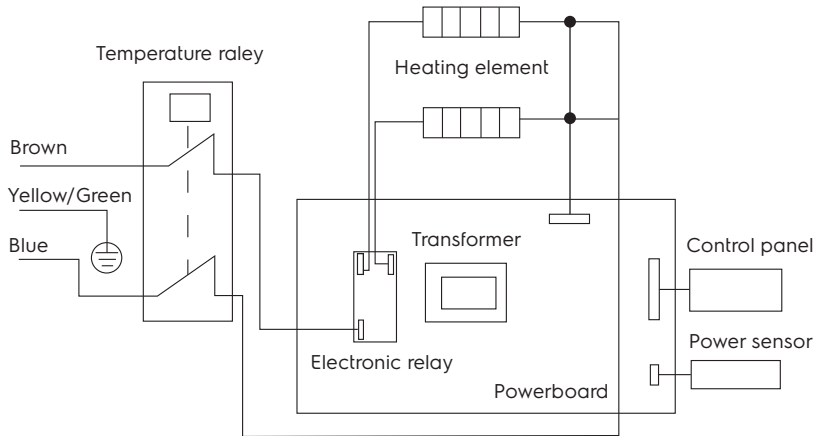


	EWH 30 FMX EEC/FMX DL EEC	EWH 50 FMX EEC/FMX DL EEC	EWH 80 FMX EEC/FMX DL EEC	EWH 100 FMX EEC/FMX DL EEC
A, MM	344	344	454	454
B, MM	359	359	469	469
C, MM	545	825	729	879
D, MM	196	196	196	196
E, MM	253	401	297	447
F, MM	174	172	281	278
G, MM	100	100	100	100

Electrical wiring diagram EWH Fmx EEC



Electrical wiring diagram EWH FmxDL EEC



Handling and technical maintenance

**Warning!**

Before service always disconnect the water heater from the power supply network.

To ensure a long service life and to maintain the valid warranty for the internal water-containing tank, maintenance should be performed by qualified specialists no later than in a year after the start of operation, which should include a mandatory check for the presence of scale on the heating element and the inner cavity of the water-containing tank, and also the state of the magnesium anode. In case of severe wear, the magnesium anode should be replaced. The warranty for the water tank and the heating element in case of a worn anode (residual volume less than 30% of the original) is invalid.

Based on the results of the inspection of the water heater during the first maintenance, the frequency of regular maintenance should be scheduled to be adhered throughout the entire period of the heater operation. If the heater operation location is changed, or during scheduled maintenance the operating conditions (water quality) are revealed to be changed, the regularity of maintenance procedures may be revised. The heater maintenance should be con-

firmed by completing the table of maintenance performed.

In areas with particularly hard water, with water containing corrosive impurities, inspection should be conducted more often. For this purpose, you need to obtain the appropriate information from a specialist or directly at the company that provides water supply. If there was no maintenance performed, or in case of complete wear / absence of the magnesium anode in the water heater, warranty obligations for the water heater are not applied.

**Warning!**

Scale accumulated on the thermal heating element and sediment in the internal tank may lead to failure of the water heater and serve the basis for refusal of warranty service. Regular maintenance is a preventive measure and is not covered by the warranty.

Switches, sockets and lighting are not allowed to mount in the prohibited area. Switches are not allowed in the protective area, however, grounded sockets can be installed.

The water heater has to be mounted out of the prohibited area so that it is not exposed to water jets. The water heater should be connected to the power supply network through a dedicated grounded socket con-

nected to an individual circuit breaker in the switchboard.

To ensure the safe operation of the water heater, an automatic machine of a suitable rating has to be installed.

The electrical connection must include an earth ground. The plug of the power cable of the water heater with a special socket for grounding should be inserted only into the socket.

Heating temperature regulator. For daily use, it is advisable to keep the heater plugged in, as the thermostat turns on heating only to keep the set temperature.

Water draining. The water should be completely drained out of the water heater if it is not used for a long time or the temperature in the room where it is mounted may drop below 0 °C. Water can be drained with a safety valve, thus there may be leakage from under the valve stem.



Warning!

For draining, a T-connector with a gate can be provided between the valve and the sleeve.

Before water draining out of the water heater, remember to:

- turn off the water heater from the network;
- close the valve water inlet;
- open the hot water tap.

Have your water heater regularly serviced by specialists from an authorized service center.



Warning!

Never remove the cover of the water heater without first disconnecting it from the power supply.

Warranty service is performed in accordance with the warranty obligations listed in the warranty card. The manufacturer reserves the right to make modifications in the design and characteristics of the heater, without prior notice.

Transport and storage

Water heaters in the manufacturer's packaging can be transported by all types of covered transport in compliance with the rules for the

transportation of goods applicable for this type of transport. Transportation conditions are at temperature from minus 50 to plus 50 °C and at relative humidity of up to 80% at plus 25 °C.

During transportation, any possible impact and movement of packaged water heaters inside the vehicle should be excluded. Transportation and stacking should be done in accordance with the handling signs indicated on the packaging. Water heaters have to be stored in the manufacturer's packaging under storage conditions from + 1 °C to + 40 °C and relative humidity up to 80% at 25 °C.

Recycling



The time-expired appliance can't be disposed with household waste (2012/19/EU).

Warranty

Warranty service is performed according to the terms specified in the "Warranty" section.

Warranty:

- Warranty period for the item is two years from the purchase date. If any defects occur due to defects in materials and/or workmanship during this two-year warranty period, the item should be repaired or replaced.
- Free maintenance or replacement is possible only in case if convincing evidence is provided, for example a stub, which confirms that the day when the service is requested, is within the warranty period.
- The warranty does not cover products and/or parts of the product that are subjects to deterioration, may be considered as expendable supplies or which are made of glass.
- The warranty is void if the defect is caused by damage ensuing by misuse, poor maintenance (for example, a failure occurred due to ingress of foreign objects or liquids) or if changes or repairs were performed by persons not authorized by the Manufacturer.
- For the correct use of the product, the user must strictly follow all included in the manual instructions, and also must avoid any action or manipulation described as unwanted or indicated so in this manual.

- These warranty restrictions do not affect your statutory rights.

Support:

The support during and after the warranty period is available in all countries where the product is officially distributed. Please contact your dealer for help.

Date of manufacture

The date of manufacture is indicated on a sticker on the body of the appliance, and also encrypted in Code-128. The date of manufacture is determined as follows:

SN XXXXXXX XXXX XXXXXX XXXXX
 |
 month and year of production

Do not remove and keep safe the serial number on the device's body. If the serial number sticker is lost or damaged, it will not be possible to restore the production date if necessary.

Manufacturer/Importer: CladSwiss AG,
 Bahnhofstrasse 27, 6300 Zug, Switzerland.
 E-mail: info@cladswiss.com

Made in PRC.

Electrolux is a registered trademark used under license from AB Electrolux (publ.).

The manufacturer reserves the right to modify the design and characteristics of the device.

This manual may contain technical and typing errors. Changes to technical characteristics and assortment are subject to change without notice.

Mistakes and typing errors may be permitted in texts and numeric notations. Product design and technical data may vary from the one pictured on the packaging. Please refer to a sales consultant for more detailed information.

PERMBAJTJE

1. HYRJE	19
2. PAJISJET	19
3. PËRSHKRIM I SHKURTËR I NGROHËSIT TË UJIT	19
4. PANELI I KONTROLLIT	20
5. MONTIMI I NGROHËSIT TË UJIT	22
6. LIDHJA ME UJËSJELLSIN	23
7. LIDHJA ME RRJETIN ELEKTRIK	23
8. PËRDORIMI	24
9. MASA PARANDALUESE	24
10. ZGJIDHJA E PROBLEMEVE	26
11. SPECIFIKIMET	27
12. PËRMASAT	28
13. SKEMA E LIDHJEVE ELEKTRIKE	28
14. KUJDESI DHE MIRËMBAJTJA	29
15. TRANSPORTI DHE MAGAZINIMI	30
16. RICIKLIMI	30
17. DETYRIMET E GARANCISË	30
18. DATA E PRODHIMIT	31

NE MENDOJMË PËR JU

Ju falënderojmë për blerjen e një pajisjes Electrolux. Ju keni zgjedhur në produkt të mbështetur nga dekada përvojë profesionale dhe inovacioni. Unike dhe me stil, ajo është dizajnuar duke menduar për ju. Prandaj, sa herë që e përdorni, mund të jeni i sigurt që rezultatet gjithmonë do të jenë të shkëlqyera. Mirë se vini në Electrolux!

Në faqen tonë të internetit ju gjeni:



Gjeni rekomandimet për përdorimin e produktit, manualin e përdorimit, informacionin e mirëmbajtjes: www.home-comfort.com/support/



Pas shitjes së pajisjes, shitësi duhet të plotësojë pjesën “Detajet e produktit”, e cila ndodhet në faqen e fundit të këtij manuali.



Simbolet e përdorura



Kujdes/të dhëna të rëndësishme për rregullat e sigurisë



Informacion i përgjithshëm dhe rekomandime

Shërbimi i garancisë kryhet në përputhje me kushtet e specifikuar në seksionin “Detyrimet e garancisë”.

Shënim:

Në tekstin e këtij manuali, ngrohës uji elektrik me rezervuar mund të ketë emra teknikë, siç janë, pajisja, aparati, etj.

Hyrje

Ngrohësi elektrik i ujit i llojit akumulues është krijuar për të ngrohur ujin e ftohtë që vjen nga sistemi i furnizimit me ujë. Përdoret ekskluzivisht në jetën e përditshme, uji nga ngrohësi i ujit nuk është i destinuar për tu pirë as për të gatuar. Instalimi dhe ndezja e parë e ngrohësit të ujit duhet të kryhet nga një teknik i kualifikuar i cili mban përgjegjësi për instalimin korrekt dhe jep rekomandime për përdorimin e ngrohësit të ujit. Me ndezjen e tij duhet të zbatohen standardet dhe rregullat në fuqi.

Përpara se të instaloni ngrohësin e ujit, sigurohuni që priza të jetë e tokëzuar. Nëse nuk ka tokëzim në prizë, është e nevojshme të tokëzoni ngrohësin e ujit me një tel të veçantë tokëzimi në terminalin e tokëzimit në trupin e ngrohësit të ujit. Në mungesë të tokëzimit, është e ndaluar instalimi dhe funksionimi i produktit. Terminali tokësor ndodhet në trupin e ngrohësit të ujit.



Kujdes!

Nuk lejohet të përdoren priza të levizshme.



Kujdes!

Instalimi dhe përdorimi i pasaktë i ngrohësit elektrik të ujit mund të shkaktojë aksidente të padëshiruara ose dëmtime të ngrohësit.

Pajisjet

Ngrohësi elektrik i ujit është i pajisur me elementet bazë për instalimin dhe vënien në punë.

Në kompletin e ngrohësit elektrik të ujit Fmx EEC / Fmx DL EEC përfshihen:

- ngrohësi i ujit me kabëll elektrik + siguresa - 1 copë;
- valvul sigurie - 1 copë;
- manual përdorimi - 1 copë.
- shablioni i montimit - 1 copë.
- fiksimi i spirancës për montim - 2 copë.

Përshkrim i shkurtër i ngrohësit të ujit

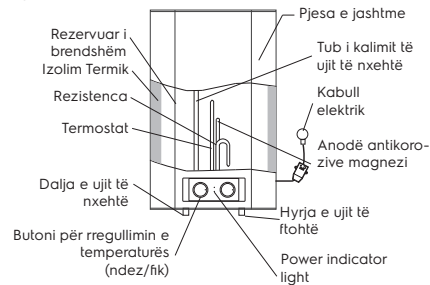


Fig. 1 Fmx EEC

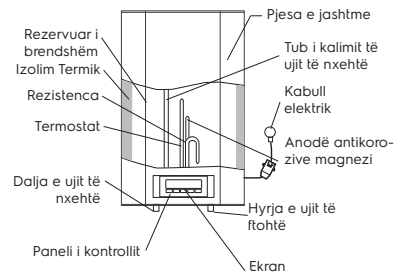


Fig. 2 FmxDL EEC

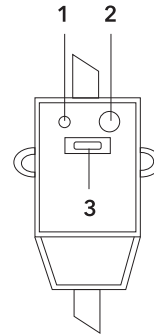
1. Kontroll automatik i temperaturës së ujit: Pasi hapni rubinetin e ujit të nxehtë në ngrohësin e ujit, në hyrjen tjetër futet uji i ftohtë, duke mbushur rezervuarin e brendshëm. Uji në rezervuar përzihet dhe temperatura e tij ulet. Sensori i termostatit reagon ndaj rënies së temperaturës së ujit, ndizet automatikisht rezistenca dhe ngroh ujin në temperaturën e vendosur më parë. Kur temperatura arrin vlerën e caktuar, rezistenca automatikisht fiket.
2. Mbrojtja e ngrohësit të ujit:
 - mbrojtje nga mbinxehja;
 - mbrojtje nga korrozioni;
 - mbrojtje nga presioni i lartë hidraulik.
3. Rezervuarët e brendshëm prej çeliku me veshje të posaçme mbrojtëse janë montuar sipas metodës së përparuar të smaltimit të thatë elektrostatik. Veshja e veçantë e rezervuarit të brendshëm është rezistente ndaj korrozionit dhe papastërtive. Veshja mbrojtëse e rezervuarit të brendshëm është posaçërisht e përgatitur nga smalti i qelqit me shpërndarje të imët. Karakteristikat e smaltit:
 - kapacitetet i lartë ngjitës dhe plasticitet

- i lartë (i ngurtësuar në 850 °C);
- pëzgjerohet ose tkurret me ndryshimet e temperaturës në të njëjtën përpjesëtim me muret e rezervuarit të brendshëm, pa formuar mikro çarje, pas të cilave mund të formohet një vatër korrozioni.

4. Elementet e ngrohjes termike të thatë (TEN) janë të besueshëm dhe të sigurt në funksionim, kanë një jetë të gjatë shërbimi. Elementet e ngrohjes vendosen në kasë metalike mbrojtëse, të mbuluara me një shtresë smalti qelqi të shpërndarë imët, i cili përjashton kontaktin e drejtpërdrejtë të elementeve të ngrohjes me ujin, dhe, në elementët e ngrohjes nuk krijohen gelqerizim, gjë që rrit jetëgjatësinë e tyre dhe zgjat jetën e shërbimit.
5. Regjimi (ECO) në panelin e kontrollit siguron:
 - ngrohja e ujit në një temperaturë të përshtatshme, rreth 50-55 °C;
 - parandalon formimin e papastërtive;
 - rrit resurset e punës së pajisjes
6. Izolimi i brendshëm termik në mënyrë efektive ruan temperaturën e ujit të nxehtë, minimizon humbjen e nxehtësisë dhe zvogëlon konsumin e energjisë.
7. Kontrolluesi i integruar i temperaturës: Siguron kontroll të vazhdueshëm dhe të besueshëm të temperaturës së ujit.
8. Gama e rregullimit të temperaturës së ngrohjes së ujit në modelet Fmx është nga 30 °C deri në 75 °C. Temperatura e ngrohjes rregullohet nga e majta në të djathtë (në drejtim të akrepave të orës) nga minimumi deri në ECO 55 °C dhe në maksimum. Temperatura maksimale e ngrohjes së ujit në modelet Fmx DL është 75 °C. ECO - regjimi ekonomik, rreth 55 °C. Duke përdorur butonat në panelin e kontrollit "+" ose "-" mund të rregulloni temperaturën me një saktësi prej 1 °C.
9. Ngrohësi i ujit është i thjeshtë dhe i rehatshëm në përdorim.

PFM (pajisja fikjes mbrojtëse)

- 100% parandalim i goditjes elektrike.
- Ndiqni udhëzimet e instalimit kur lidhni një ngrohës uji elektrik.
- Kur lidhet me furnizimin me energji elektrike, treguesi i energjisë (1) do të ndizet në anën e përparme të PFM.
- Për të testuar PFM, shtypni butonin TEST (2). Treguesi i energjisë (1) do të fiket.
- Për të rifilluar PFM, shtypni butonin (3).



Paneli i kontrollit

Paneli i kontrollit Fmx EEC

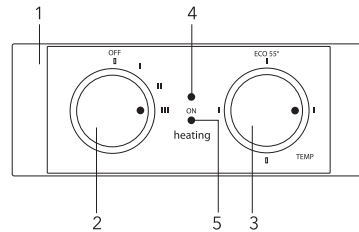


Fig. 3

1. Paneli i kontrollit.
2. Buton on/off ("ON/OFF") - ndërrim i fazave të ngrohjes.
 - – etiketa "OFF" është për të fikur ngrohjen.
 - ▬ – Etiketa e ndezjes se ngrohjes. Faza e parë e fuqisë 800 vat.
 - ▮ – etiketa e ndezjes se fazës së dytë të energjisë së ngrohjes 1200 W.
 - ▣ – etiketa e ndezjes se fazës së tretë ngrohjes në 2000 W.
3. Doreza e kontrollit të temperaturës
 - – shenja në fund korrespondon me temperaturën minimale të ujit në ngrohësen e ujit (fikje te ngrohjes).
 - ▬ – shenja në të majtë korrespondon me temperaturën minimale të ngrohjes së ujit në ngrohësin e ujit (ndezje te ngrohjes).
 - ECO 55 – etiketa e regjimit eko
 - ▬ korrespondon me temperaturën e ngrohjes së ujit në ngrohësen e ujit deri në 55 °C.
 - ▬ – shenja në të djathtë korrespondon me temperaturën maksimale të ngrohjes së ujit në ngrohësin (75 °C)
4. Treguesi "ON" është jeshile kur ngrohësi i

- ujit është i ndezur.
- Treguesi HEATING është i kuq kur elementi i ngrohjes është duke punuar dhe ngrohja e ujit është duke funksionuar.

Paneli i kontrollit FmxDL EEC

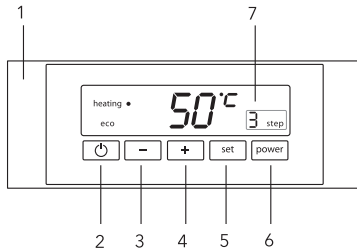


Fig. 4

- Paneli i kontrollit.
- Butoni "ON"/"OFF" ndezje/fikje të ngrohësin e ujit (ngrohje).
- Butoni i rregullimit të temperaturës "-" ulje e temperaturës.
- Butoni i rregullimit të temperaturës "+" rritje e temperaturës.
- Butoni "SET":
 - shikoni temperaturën e vendosur;
 - mbani mend temperaturën e caktuar;
 - vendosni temperaturën nga memoria e ngrohësit të ujit
- Butoni "POWER" rregullimi i fuqisë së ngrohjes.
- Tregues i fazës së zgjedhur të energjisë për ngrohje:
 - Shkalla 1— 800 W.
 - Shkalla 2 — 1200 W.
 - Shkalla 3 — 2000 W.

Zgjedhja e regjimit të fuqisë siguron ngrohje të shpejtë ose ju lejon të përdorni ngrohësin e ujit në dhomat me rrjetet të energjisë elektrike me fuqinë të reduktuar.

Lidhje e modeleve me rrjetin Fmx EEC

Vendosni spinën në prizë dhe ndizni ngrohësin e ujit. Treguesi do të ndizet. Kjo do të thotë që ngrohësi i ujit është i lidhur me rrjetin elektrik dhe furnizohet me energji elektrike. Kthejeni butonin e kontrollit të temperaturës në drejtim të kundërt të akrepave të orës për të ndezur ngrohjen. Vendosni nivelin e kërkuar të ngrohjes së ujit duke rregulluar temperaturën e ngrohjes.

Treguesi «ECO»-regjim ekonomik, korrespondon me një temperaturë ngrohje prej rreth 55 °C. Ndrohja e ujit fiket automatikisht

kur arrihet temperatura e caktuar dhe ndizet për ngrohje automatikisht. Nëse dëshironi të fikni ngrohjen e ujit, ktheni çelësin e kontrollit të temperaturës në pozicionin «OFF». Treguesi i ngrohjes me drite do jetë i ndezur gjatë kohës që ngrohësi i ujit është i lidhur me rrjetin elektrik. Në disa modele, butoni me dritë do të pulsojë kur ndizet ngrohja. Termostati do të sigurojë që treguesi i ngrohjes të ndizet përsëri pasi të jetë konsumuar pak ujë.


Rregullimi i temperaturës

Gama e rregullimit të temperaturës së ngrohëses së ujit është nga 30 ° C (minimumi) deri në 75 ° C (maksimumi). Vendosja e temperaturës kryhet duke përdorur një rregullator të vendosur në panelin e përparmë të pajisjes.

Lidhje e modeleve me rrjetin FmxDL EEC

Lidhni spinën e ngrohësit të ujit me prizën në mur. Ndrohësi i ujit do të fillojë vetë-diagnostifikimin. Treguesi në ekran do të ndizet për rreth 2 sekonda, vetëm treguesi i temperaturës së ujit në ngrohësin e ujit do të ndizet - ngrohësi i ujit ka kaluar në regjimin i pritjes "STAND BY". Nëse ngrohësi i ujit ka zbuluar ndonjë gabim në vetë-diagnostifikimin, atëherë i gjithë treguesi do të japi sinjalin vazhdimisht.

Ndezje dhe vendosje e temperaturës

shtypjes së çelësit,  ngrohësi i ujit do të ndizet dhe treguesi Heating do të jetë i kuq, temperatura e fundit e vendosur ose temperatura e vendosur në fabrike për ndezjen e pare ECO - 55 °C, do të marrë ngjyrë të kuqe për 2 sekonda. Pas 2 sekondash, treguesi i temperaturës së vendosur do të iki dhe uji do të fillojë të nxehet. Ekranin do të tregojë temperaturën e ujit në ngrohësin e ujit. Për lehtësinë e përdorimit, ju mund të vendosni një mënyrë individuale të temperaturës së ngrohjes së ujit, e cila do të ruhet nga ngrohësi e ujit me çdo ndezje.

Shtyp SET dhe mbaje për 3 sekonda. Temperatura e vendosur do të flashojë (35 °C). Nëse jeni dakord, shpejt shtypni SET një herë për të konfirmuar. Temperatura është vendosur në kujtesën e pajisjes dhe ngrohja do të fillojë. Nëse doni të ndryshoni temperaturën, përdorni butonat "+" ose "-". Pas zgjedhjes së temperaturës do të flashojë për 3 sekonda, për të konfirmuar shpejt shtyp një herë SET. Nëse ju nuk shtypni SET për të konfirmuar, temperatura e zgjedhur do të ndizet për 3 sekonda, pas së cilës do të fillojë ngrohja, temperatura e zgjedhur do të mbahet vetëm derisa ngrohësi i ujit

të fiket nga përdoruesi. Temperatura e zgjedhur nuk do të ruhet ne memorien.

Duke mbajtur poshtë çelësin SET për 5 sekonda (ose 7 sekonda) dhe duke përsëritur të gjitha hapat e mësipërm, është e mundur të vendosim dy vlera të tjera të temperaturës në memorien e pajisjes. Temperatura e fundit e vendosur aplikohet në mënyrë të barabartë në të tre regjime e memories. Gjatë ngrohjes, temperatura e ujit në ngrohësen e ujit do të tregohet.

Treguesi i temperaturës në ekran tregon temperaturën e ujit në ngrohësin e ujit. Për të parë gjatë ngrohjes se çfarë temperature është vendosur, shtypni shpejt SET dhe brenda 3 sekondave do të tregohet temperatura e vendosur. Pas 3 sekondash, temperatura e ujit në ngrohësen e ujit do të tregohet.

Kur temperatura arrin temperaturën e caktuar, treguesi i "HEATING" do të zhduket.

Regjimi kundër ngrirjes

Për të parandaluar ngrirjen e ujit, ngrohësi i ujit fillon automatikisht të ngrohet kur temperatura e ujit në depozitën e brendshëm bie nën 6 ° C. Kur temperatura arrin 10 ° C, ngrohja ndalet. Funkzioni punon kur pajisja është e lidhur me energjinë elektrike. I disponueshëm në serinë FmxDL EEC.

Nëse korrenti shkëputet

1. Nëse korrenti fiket gjatë ngrohjes, atëherë pas ndezjes së korrentit në dhomë, ngrohësi i ujit do të ndeze ngrohjen, siç ishte instaluar më parë.
2. Nëse ngrohësi i ujit nuk ishte i ndezur, ishte në regjimin "STAND BY", pasi vjen korrenti në dhomë, ngrohësi i ujit nuk do të fillojë të ngrohet.

Montimi i ngrohësit të ujit



Sigurohuni që të përdorni pjesët origjinale të dhëna nga prodhuesi për të instaluar ngrohësin e ujit, të cilat mund të mbajnë peshën e ngrohësit të ujit të mbushur me ujë. Mos e vendosni ngrohësin e ujit tek mbajtësjja e montuar derisa të jeni i sigurt se montimi është i sigurt. Përndryshe, ngrohësi i ujit mund të bjerë nga muri, duke u dëmtuar ose mund t'ju shkaktojë dëmtime serioze. Kur zgjidhni vendet për vrima për fiksimin e bulonave, sigurohuni që të ketë një hapësirë prej të paktën 0.2

m në të dy anët, nga muret e banjës me ngrohësin e ujit, dhe të paktën 0.5 m në anën e lidhjes së tubit, për të lehtësuar ndërhyrjen teknike nëse do të jetë e nevojshme.

Nëse ngrohësi i ujit furnizohet me ujë direkt nga pusët ose cisternat e ujit, gjatë përdorimit është e domosdoshme të përdorni një filtër për pastrim të thellë, gjatë futjes së ujit të ftohtë në ngrohësin e ujit. Filtrin për pastrimin e thellë mund të blihet nga dyqanet e specializuara. Nëse filtri për pastrimin e thellë nuk është i instaluar, produkti nuk mbulohet nga garancia.

1. Ndrohësi i ujit duhet të instalohet në një sipërfaqe të fortë vertikale (mur).
2. Pasi të zgjidhni vendin e montimit, bëni dy vrima në mur me thellësinë e duhur dhe futni vidat, ktheni grepin lart, shtrëngoni bullonat mirë dhe më pas instaloni ngrohësin e ujit mbi të (shih fig.5).

Spirancë për montim

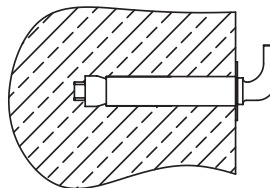


Fig. 5

Vëllimi, L	27	46	73	93
Hapësira mes vrimave, mm	196			

3. Nëse banjaja është shumë e vogël për të instaluar ngrohësin e ujit, ai mund të instalohet në çdo ambient tjetër të mbrojtur nga rrezet e diellit dhe shiu. Sidoqoftë, për të zvogëluar humbjet e nxehtësisë në tubacion, ngrohësi i ujit duhet të instalohet sa më afër vendit të përdorimit të ujit.
4. Gjatë lidhjes me sistemin e furnizimit me ujë, është e nevojshme të instaloni valvola të veçanta bllokuese në portin e furnizimit me ujë të ftohtë në ngrohësin e ujit si dhe në portin e daljes së ujit të nxehtë. Valvulat e veçanta bllokuese të ujit të nxehtë dhe të ftohtë duhet të mbyllën gjatë kohës që nuk përdoret ngrohësi i ujit, si dhe gjatë mirëmbajtjes

dhe punëve teknike në sistemin e furnizimit me ujë. Instalimi dhe përdorimi i saktë i valvulave bllokuese është një kusht i domosdoshëm për sigurimin e garancisë, si dhe një garanci për funksionimin afatgjatë dhe pa probleme të ngrohësit të ujit.

Lidhja me ujësjellsin

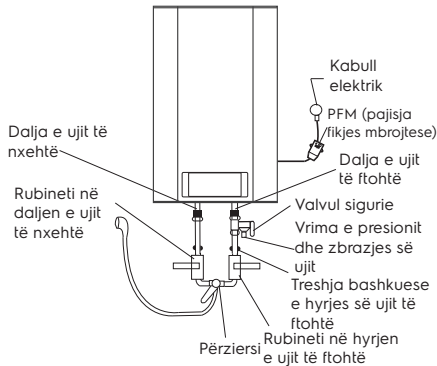


Fig. 6

1. Për të lidhur ngrohësin e ujit me ujësjellësin, përdoren tuba me diametër G1/2.
2. Vendosja e valvulës së sigurisë: valvula duhet të instalohet në portin e hyrjes së ujit të ftohtë (sigurohuni që tubi fleksibël i kullimit të jetë i instaluar, në portin e presionit dhe zbrazjes së ujit dhe të drejtohet poshtë në ndarjen e veçantë për nxjerrjen e ujit).
3. Për të shmangur rrjedhjet gjatë lidhjes së tubacionit, vendosni gomina të plota në skajet e lidhjeve të filetuara.
4. Nëse është e nevojshme të vendosni një sistem të furnizimit me ujë me disa çezma, përdorni metodën e bashkimit (shih Fig. 7).
5. Nëse presioni në linjë mund të kalojë 5 bar, është e nevojshme për të instaluar një reduktues të presionit të ujit. Në mungesë të reduktuesit të presionit dhe me presionin të tepërt në linjën e ujit të ftohtë, pajisja i hiqet nga detyrimet të garancisë.

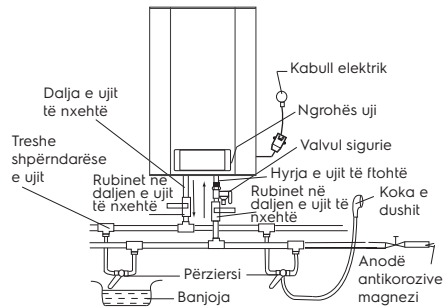


Fig. 7

6. Instalimi i ngrohësve të ujit të serive Fmx, Fmx DL lehtësohet shumë nga aftësia për t'i instaluar si vertikalisht ashtu edhe horizontalisht kudo në shtëpinë tuaj, në një dhomë me ngrohje. Këshillohet që ngrohësi të instalohet sa më afër pikës së përdorimit të ujit të nxehtë, pasi sa më të shkurtër të jenë tubat aq më pak humbje të nxehtësisë. Kur instaloni ngrohësin e ujit horizontalisht, tubat e furnizimit duhet të vendosen në të majtë. Kur instaloni ngrohësin e ujit pranë një muri, lini hapësirën e rekomanduar për mirëmbajtje. Mos e instaloni ngrohësin e ujit në një sipërfaqe horizontale dhe afër dyshemesë. (shih figurën 8)

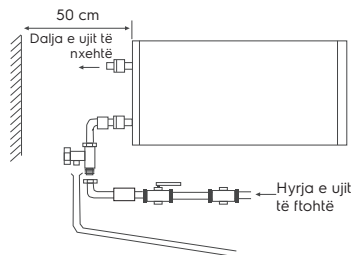


Fig. 8

Lidhja me rrjetin elektrik

Të gjithë ngrohësit e ujit të kësaj serie janë krijuar për t'u lidhur me një rrjet elektrik njëfazor 220/240 V. Para lidhjes, sigurohuni që parametrat e rrjetit elektrik në pikën e lidhjes të korrespondojnë me parametrat e treguar në tabelën me të dhënat teknike të pajisjes. Gjatë instalimit të ngrohësit të ujit, duhet

të respektohen rregullat bashkëkohore të sigurisë elektrike.

Kur instaloni një ngrohës uji në një banjë ose tualet, duhet të merren parasysh kufizimet që lidhen me ekzistencën e zonave të ndaluara dhe mbrojtëse.

Zonë ndaluar – është hapësira e kufizuar me sipërfaqet tangjenciale dhe vertikale në proporcion me skajet e jashtme të banjos, tualetit ose dushit dhe sipërfaqes, i vendosur mbi to ose mbi dysheme, nëse pajisja hidraulike është instaluar në dysheme, në një lartësi prej 2.25 m.

Zonë mbrojtës – është hapësira, rrafshet horizontale kufizuese të së cilës përkojnë me rrafshet e zonës së ndaluar, dhe rrafshet vertikale janë 1 m larg nga rrafshet përkatëse të zonës së ndaluar. Të dhëna të llogaritura për bakrin

Përzgjedhja e prerjes tërthore të kabllit (telit) sipas fuqisë dhe gjatësisë prej bakri, $U = 220 \text{ V}$, një fazë.

P, kWt	1	2	3	3,5	4	6	8
I, A	4,5	9,1	13,6	15,9	18,2	27,3	36,4
Seksioni kryq i përcjellësit, mm ²	1	1	1,5	2,5	2,5	4	6
Gjatësia maksimale e lejuar e kabllit në prerjen kryq të specifikuar, m	34,6	17,3	17,3	24,7	21,6	23	27

Përdorimi

Mbushja me ujë

Pas instalimit të ngrohësit të ujit, mbyllni portën e ujit të nxehtë në apartament, hapni valvulën e furnizimit me ujë të ftohtë. Hapni rubinetin e ujit të nxehtë në mikser. Sapo ngrohësi i ujit të jetë i mbushur, uji do të rrjedhë prej tij, mbyllni rubinetin e ujit të nxehtë në mikser dhe sigurohu që të mos ketë rrjedhje. Nëse uji nuk jeni të sigurt nëse ka ujë në ngrohësin e ujit, mos e lidhni me rrjetin elektrik.

Masa parandaluese

Rregullimi i temperaturës

Diapazoni i kontrollit të temperaturës së ngrohësit të ujit është nga 30 °C (minimumi) deri në 75 °C (maksimumi). Në modelet e serive Fmx EEC / Fmx DL EEC, temperatura vendoset duke përdorur butonin e kontrollit të temperaturës, i cili ndodhet në kapakun e poshtëm të pajisjes.

1. Priza e rrymës duhet të jetë e tokëzuar siç duhet. Rryma nominale e prizës duhet të jetë jo më pak se 10 A. Priza dhe spina duhet të jenë gjithmonë të thata për të parandaluar qarqet e shkurtra në rrjetin elektrik. Kontrolloni në mënyrë periodike që spina është futur plotësisht në prizë. Metoda e provës është si më poshtë: futni spinën në prizë, pas gjysmë ore, fikni ngrohësin e ujit dhe hiqeni spinën nga priza. Vini re nëse spina është e ngruhtë në prekje. Nëse e ndjeni me dorë se është e ngruhtë (temperatura mbi 50°C), ju lutemi zëvendësoni prizën me një tjetër ku spina përshatet më mirë. Kjo do të ndihmojë në parandalimin e zjarrit, dëmtimit të spinës ose aksidenteve të tjera për shkak të kontaktit të dobët.
2. Muri në të cilin do të instalohet ngrohësi i ujit duhet të llogaritet që do të mbajë një ngarkesë sa dyfishi i peshës totale të ngrohësit të ujit të mbushur me ujë. Përdryshe, duhet të merren masa shtesë për të forcuar produktin.
3. Valvula e sigurisë duhet të instalohet në portin e hyrjes së ujit (shih fig. 9).

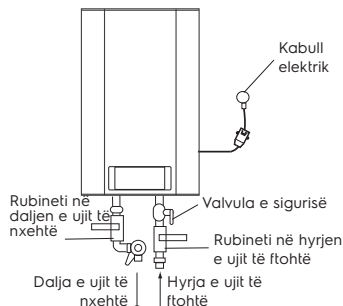


Fig. 9

4. Kur përdorni ngrohësin e ujit për herë të parë (ose kur e përdorni për herë të parë pas shërbimit teknik ose pastrimit), mos e ndizni ngrohësin derisa të mbushet plotësisht me ujë. Gjatë kohës që mbushni rezervuarin e ngrohësit të ujit, hapni rubinetin e ujit të nxehtë për të nxjerrë ajrin. Sapo rezervuari mbushet me ujë dhe uji fillon të rrjedhë nga rubineti, rubineti mund të mbyllet.
5. Gjatë kohës së ngrohjes së ujit, uji mund të dalë nga valvula e sigurisë. Kjo është normale. Sidoqoftë, në rast të rrjedhjeve të

- mëdha, kontaktoni specialistin e shërbimit teknik e servisit. Dalja e presionit nuk duhet të bllokohet në asnjë rrethanë; përndryshe, mund të dëmtohet ngrohësi i ujit.
6. Në vrimën e daljes së presionit në valvulën e sigurisë duhet të instalohet një tub kullues dhe të futet në kanalizim në rast se kullon uji. Tubi i kullimit i lidhur me daljen e presionit duhet të drejtohet poshtë.
 7. Meqenëse temperatura e ujit brenda ngrohësit të ujit mund të arrijë 75 °C, uji i nxehtë nuk duhet të bie në trupin e njeriut. Për të shmangur djegiet, mund të rregulloni temperaturën e ujit duke përdorur rubinetin.
 8. Në rast se për një kohë të gjatë, nuk e keni riparuar, ose nuk keni ndërhurë në linjën e furnizimit me ujë ose ngrohësi i ujit nuk është përdorur për një kohë të gjatë, është e domosdoshme të mbyllni valvulat e veçanta bllokuese në portin e furnizimit me ujë të ftohtë dhe me ujë të ngrohtë në ngrohësin e ujit, dhe gjithashtu të fikni ngrohësin e ujit dhe të ndërprisni furnizimi me energji, duke hequr spinën nga priza.
 9. Nëse ngrohësi i ujit përdoret në dhoma me furnizim të centralizuar të ujit, gjatë kohës që uji i nxehtë është i mbyllur, mbyllni valvulën e sigurisë për furnizimin me ujë të nxehtë nga linjat e furnizimit (ngritës).
 10. Zbrazja e ujit nga ngrohësi i ujit mund të bëhet duke përdorur valvulën e sigurisë, mbyllni furnizimin me ujë të ftohtë në ngrohësin e ujit dhe hapni dorezën e kullimit në valvulën e sigurisë. Zbrazja e ujit nga ngrohësi duhet të bëhet përmes portës së kullimit në valvulë në sistemin e kanalizimit (kur zbrazni ujin, hapni rubinetin e ujit të nxehtë në mikser për të nxjerrë ajrin).
 11. Në rast të prishjes së kabullit elektrik, duhet ta zëvendësoni atë me një të ngjashëm të furnizuar nga prodhuesi. Zëvendësimet duhet të kryhen nga teknikë me përvojë.
 12. Në rast të dëmtimit të një prej pjesëve të ngrohësit të ujit, është e nevojshme të kontaktoni specialistët e shërbimit teknik për riparim. Përdorni vetëm pjesë këmbimi rezervë nga prodhuesi.
 13. Kjo pajisje nuk është menduar për përdorim nga persona (përfshirë fëmijët) me aftësi të kufizuara fizike ose mendore, ose aftësi dhe njohurie të pamjaftueshme, përveç nëse udhëzohen si duhet nga një person përgjegjës për sigurinë e tyre.
 14. Ngrohësi i ujit duhet të zbrazet plotësisht nga uji nëse nuk do të përdoret për një kohë të gjatë ose temperatura në dhomën ku është instaluar mund të ulet nën 0 °C.

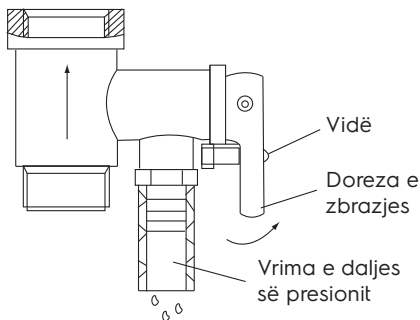


Fig. 10

Zgjidhja e problemeve

Refuzimet	Arsyet	Riparimi
Treguesi i ngrohjes është fikur	Dështimi i kontrolluesit të temperaturës	Kontakto specialistet te shërbimit për riparime
Nuk vjen ujë nga çezma e ujit të nxehtë	<ol style="list-style-type: none"> 1. Furnizimi me ujë përmes tubave të ujit është ndërprerë 2. Presioni i ujit është shumë i ulët 3. Valvula e hyrjes së ujit është e mbyllur 	<ol style="list-style-type: none"> 1. Prisni që furnizimi me ujë të rifillojë 2. Përdorni ngrohësin e ujit kur presioni i ujit rritet përsëri 3. Hapni rubinetin e ujit
Temperatura e ujit e tejkalon nivelin e vendosur	Nuk punon sistemi i rregullimit të temperaturës	<ol style="list-style-type: none"> 1. Menjëherë fikni ngrohësin e ujit nga rrjeti elektrik 2. Kontaktoni teknikët e shërbimit për riparim.
Nuk ngrohet uji	Nuk është ndezur ngrohësi	Vendosni butonat ON/OFF (Ndezur/ Fikur), në pozicionin Low <ol style="list-style-type: none"> 1. Shkëputni ngrohësin e ujit nga rrjeti elektrik 2. Ftohni ngrohësin e ujit duke hapur rubinetin e ujit të nxehtë dhe mbanjeni hapur derisa temperatura e ujit të ulët 3. Hiqni kapakun 4. Shtypni butonin e vogël në korpus 5. Mbyllni kapakun dhe rilidhni pajisjen në rrjetin elektrik 6. Nëse problemi vazhdon, kontaktoni teknikun tuaj të shërbimit
	Ka funksionuar sensori termik mbrojtës	
	Është demtuar rezistenca	Drejtohuni tek specialist i shërbimit teknik
	Bordi elektronik ka defekt	Drejtohuni tek specialist i shërbimit teknik
Rrjedh ujë	Dëmtuar ngjithësi i tubit	Zëvendësoni ngjithësin
Te gjithë treguesit flashojne për më shumë se 10 sekonda	Ndoshta ka ndodhur gabime në funksionimin e ngrohësit të ujit	Fikni ngrohësin e ujit nga linja dhe ndizni përsëri. Nëse treguesit flashojne përsëri më shumë se 10 sekonda, thërrisni specialistin e shërbimit.

Specifikimet

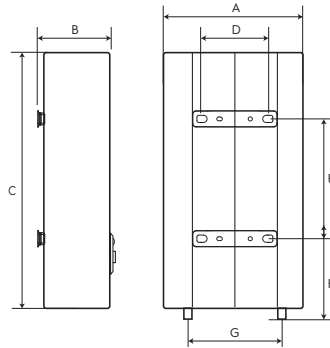
Modeli	EWB 30 Fmx EEC	EWB 50 Fmx EEC	EWB 80 Fmx EEC	EWB 100 Fmx EEC
Vëllimi, l	27	46	73	93
Fuqia nominale, Vt	2000	2000	2000	2000
Tensioni i furnizimit, V - Hz	220-240-50	220-240-50	220-240-50	220-240-50
Rrymë, A	9.09	9.09	9.09	9.09
Presion minimal, Bar	0,8	0,8	0,8	0,8
Presion maksimal*, Bar	7.5	7.5	7.5	7.5
Temperatura maksimale e ujit, °C	75	75	75	75
Klasa e ngrohjes elektrike	I klasa	I klasa	I klasa	I klasa
Shkalla e mbrojtjes	IPX4	IPX4	IPX4	IPX4
Koha e ngrohjes nga 10 °C në 75 °C**, minutë	71.4	119.04	190.8	238.8
Dimensionet e pajisjes (W×H×D), mm	344×545×359	344×825×359	454×729×469	454×879×469
Dimensionet e paketimit (W×H×D), mm	429×640×429	429×920×429	539×849×539	539×999×539
Pesha neto/bruto, kg	16.08/17.75	22.08/24.09	27.17/31.21	31.76/35.8

Modeli	EWB 30 FmxDL EEC	EWB 50 FmxDL EEC	EWB 80 FmxDL EEC	EWB 100 FmxDL EEC
Vëllimi, l	27	46	73	93
Fuqia nominale, Vt	2000	2000	2000	2000
Tensioni i furnizimit, V - Hz	220-240-50	220-240-50	220-240-50	220-240-50
Rrymë, A	9.09	9.09	9.09	9.09
Presion minimal, Bar	0,8	0,8	0,8	0,8
Presion maksimal*, Bar	7.5	7.5	7.5	7.5
Temperatura maksimale e ujit, °C	75	75	75	75
Klasa e ngrohjes elektrike	I klasa	I klasa	I klasa	I klasa
Shkalla e mbrojtjes	IPX4	IPX4	IPX4	IPX4
Koha e ngrohjes nga 10 °C në 75 °C**, minutë	71.4	119.04	190.8	238.8
Dimensionet e pajisjes (W×H×D), mm	344×545×359	344×825×359	454×729×469	454×879×469
Dimensionet e paketimit (W×H×D), mm	429×640×429	429×920×429	539×849×539	539×999×539
Pesha neto/bruto, kg	16.06/17.65	22.09/24.1	24.1/28.22	31.77/35.31

* Në presionin maksimal, fillon dalja e presionit të tepërt përmes valvulës së sigurisë. Nëse presioni i furnizimit me ujë tejkalon 7.5 bar (presioni nominal i punës), duhet të instalohet një valvul reduktuese e presionit.

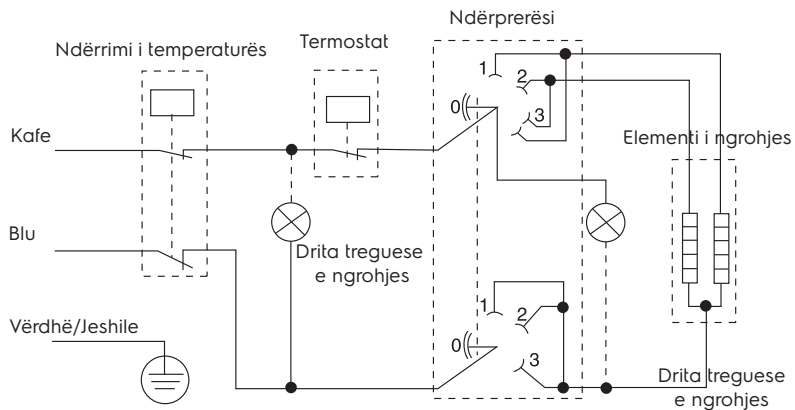
** Koha e ngrohjes bazohen në fuqinë e plotë të ngrohjes dhe llogariten në kushte ideale të ambientit. Prodhuesi rezervon të drejtën të bëjë ndryshime.

Përmasat

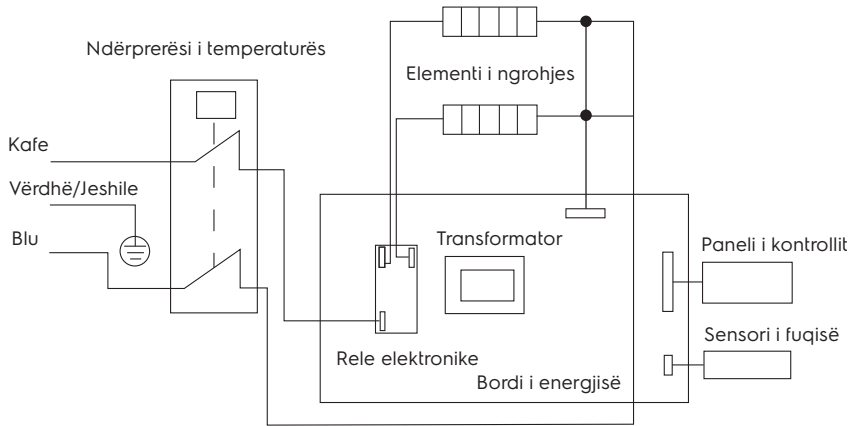


	EWH 30 FMX EEC/FMX DL EEC	EWH 50 FMX EEC/FMX DL EEC	EWH 80 FMX EEC/FMX DL EEC	EWH 100 FMX EEC/FMX DL EEC
A, MM	344	344	454	454
B, MM	359	359	469	469
C, MM	545	825	729	879
D, MM	196	196	196	196
E, MM	253	401	297	447
F, MM	174	172	281	278
G, MM	100	100	100	100

Skema e lidhjeve elektrike EWH Fmx EEC



Skema e lidhjeve elektrike EWH FmxDL EEC



Kujdesi dhe mirëmbajtja

**Kujdes!**

Gjithmonë shkëputni ngrohësin e ujit nga rrjeti elektrik përpara se ta riparoni.

Për të siguruar jetëgjatësi shërbimi dhe për të ruajtur garancinë për rezervuarin e brendshëm që përmban ujë, është e nevojshme të kryeni mirëmbajtje nga specialistë të kualifikuar jo më vonë se një vit pas fillimit të përdorimit, i cili duhet të përfshijë një kontroll të detyrueshëm për praninë e papastërtive në rezistencë dhe zgavrën e brendshme të rezervuarit që përmban ujë si dhe gjithashtu gjendja e anodës së magnezit. Në rast të konsumimit të rëndë, anoda e magnezit duhet të zëvendësohet. Garancia për rezervuarin e ujit dhe rezistencën nuk është e vlefshme në rast se anoda është tejkonsumuar (vëllimi i mbetur më pak se 30% i origjinalit). Bazuar në rezultatet e inspektimit të ngrohësit të ujit gjatë shërbimit teknik të parë, përcaktohet frekuenca e mirëmbajtjes së rregullt, e cila duhet të respektohet gjatë gjithë periudhës së funksionimit të pajisjes. Në rast të një ndryshimi në funksionimin e pajisjes, si dhe ndryshimeve në kushtet e funksionimit (cilësia e ujit) të shfaqur pas një shërbimi teknik rutinë të rregullt, frekuenca e mirëmbajtjes mund të rishikohet. Kryerja e shërbimit teknik duhet shënohet në tabelën për kryerjen shërbimit teknik. Në zonat me ujë të fortë, me ujë që përmban papastërti korrozive, mund të

jetë e nevojshme të kryeni këtë provë më shpesh. Për ta bërë këtë, duhet të merrni informacionin e duhur nga një specialist ose drejtpërdrejt në kompaninë që siguron furnizimin me ujë! Në rast se nuk është kryer asnjë shërbim teknik, ose është konsumuar/mungesë të plotë të anodës së magnezit në ngrohësin e ujit detyrimet e garancisë për ngrohësin e ujit nuk vlejné.

**Kujdes!**

Akumulimi i papastërtive në rezistencë dhe prania e mbetjeve në rezervuarin e brendshëm mund të çojë në dëmtimin e ngrohësit të ujit dhe përbën shkak për refuzimin e shërbimit të garancisë. Mirëmbajtja e rregullt teknike është një masë parandaluese dhe nuk mbulohet nga garancia.

Në zonën e ndaluar nuk lejohet instalimi i çelsave, prizave dhe pajisjeve të ndriçimit. Ndalohet instalimi i çelsave në zonën mbrojtëse, megjithatë mund të instaloni priza me tokëzim. Ngrohësi i ujit duhet të instalohet jashtë zonës së ndaluar në mënyrë që të mos ekspozohet ndaj ujit. Pajisja duhet të lidhet me rrjetin elektrik përmes një prize me tokëzim të lidhur veç me bordin dhe automat. Për të siguruar funksionimin e sigurt të ngrohësit të ujit, duhet të instalohet automat i përshtatshëm. Lidhja me linjën e korrentit duhet të përfshijë tokëzimin. Spina e kabllit të

energjisë së ngrohësit të ujit me një lidhës të posaçëm për tokëzim duhet të futet vetëm në prizën.

Rregullatori i temperaturës së ngrohjes. Për përdorim të përditshëm, këshillohet të mbani ngrohësin të ndezur, pasi termostati ndizet vetëm kur kërkohet të ruhet temperatura e caktuar.

Zbrazja e ujit. Ngrohësi i ujit duhet të zbrazet plotësisht nga uji nëse nuk do të përdoret për një kohë të gjatë ose temperatura në dhomën ku është instaluar mund të ulet nën 0 °C. Zbrazja mund të bëhet me ndihmën e valvulës së sigurisë, mund të ketë rrjedhje nga poshtë valvulës.



KUJDES!

Për zbrazjen e ujit, përdorni staliçineskë dhe valvul.

Para se të zbrazni ngrohësin e ujit, mos harroni të:

- shkëputni ngrohësin e ujit nga rrjeti elektrik;
- mbyllni valvulën e hyrjes së ujit;
- hapni rubinetin e ujit të nxehtë.

Kryni rregullisht shërbim teknik ngrohësit të ujit nga specialistë të autorizuar.



KUJDES!

Në asnjë rrethanë mos e hiqni kapakun e ngrohësit të ujit pa e shkëputur më parë nga rrjeti elektrik

Shërbimi i garancisë kryhet në përputhje me detyrimet e garancisë të renditura në kartën e garancisë. Prodhuesi rezervon të drejtën për të bërë ndryshime në modelin dhe karakteristikat e pajisjes, pa njoftim paraprak.

Transporti dhe magazinimi

Ngrohësit e ujit në paketimin e prodhuesit mund të transportohen nga të gjitha llojet e transportit të mallrave në përputhje me rregullat në fuqi për për këtë lloj transporti. Temperatura gjatë transportit mund të variojë nga minus 50 në plus 50 °C dhe në lagështi relative deri në 80% në plus 25 °C). Gjatë transportit, ngrohësit e ujit nuk duhet të levizin apo të pësojnë goditje brenda automjetit. Transportojini dhe shkarkojini në përputhje me shenjat e trajtimit të treguara në paketim. Ngrohësit e ujit duhet të ruhen në

paketimin e prodhuesit në kushte ruajtjeje nga + 1 °C në + 40 °C me lagështi relative deri në 80% në 25 °C).

Riciklimi



Kjo pajisje nuk mund të hidhet me mbeturina shtëpiake (2012/19/EU).

Detyrimet e garancisë

Shërbimi i garancisë kryhet në përputhje me kushtet e specifikuara në seksionin “Detyrimet e garancisë”.

Garancia:

- Periudha e garancisë për produktin është dy vjet nga data e blerjes. Nëse gjatë këtyre periudhë garancie dy vjeçare çdo defekt që rrjedh nga mangësi në materiale dhe/ose mjeshtëri pune produkti do të riparohet ose zëvendësohet.
- Riparimi ose zëvendësimi falas është i mundur vetëm nëse sigurohet prova bindëse, për shembull me duke përdorur një dëftesë që konfirmon atë dita në të cilën kërkohet shërbimi është brenda garancisë afat.
- Garancia nuk përfshin produktet dhe/ose pjesët të produktit që janë vesh dhe lot që mund të konsiderohen si harxhues në natyrë ose të cilat janë bërë prej qelqi.
- Garancia është e pavlefshme nëse defekti të shkaktuar nga dëmtimi i shkaktuar nga jo i duhur përdorimi i duhur, mirëmbajtja e dobët të jetuarit (për shembull, refuzimi ishte për shkak hyrja brenda produktit nga të huajt objekte ose lëngje) ose nëse riparimet ose riparimet janë kryer nga persona jo i autorizuar nga Prodhuesi
- Për përdorimin e saktë të produktit, përdoruesi duhet të përmbahet në mënyrë rigorozë të gjitha udhëzimet e përfshira NË manualin e përdoruesit dhe duhet të përmbahet nga çdo veprim ose manipulim që përshkruhet si - personale ose për të cilat ka udhëzime në manualin e përdoruesit.
- Këto kufizime të garancisë nuk ndikojnë në të drejtat tuaja ligjore.

Mbështetje:

Mbështetja gjatë dhe pas periudhës së garancisë mund të merret në të gjitha vendet ku produkti shpërndahet zyrtarisht. Ju lutemi kontaktoni shitësin tuaj për ndihmë.

Data e prodhimit

Data e prodhimit është shënuar ne një letër ngjites në kapak, dhe gjithashtu është e koduar në Code-128.

Data e prodhimit përcaktohet si më poshtë:

SN XXXXXXXX XXXX XXXXXXXX XXXXX

|
muaji dhe viti i prodhimit.

Mos e fshini dhe ruani numrin serial të pajisjes. Humbja ose dëmtimi i letrës ngjitse më numrin serail, në raste së nevojës, nuk do të lejojë të përcaktohet data e prodhimit.

Prodhues/Importues: CladSwiss AG,
Bahnhofstrasse 27, 6300 Zug, Zvicër.
E-mail: info@cladswiss.com

E prodhuar në Kinë.

Electrolux është një markë tregtare e regjistruar e përdorur nën licencën e AB Electrolux (botuar).

Prodhuesi rezervon të drejtën për të bërë ndryshime në dizajn dhe karakteristikat e pajisjes.

Në tekst dhe numra, udhëzimet mund gabime teknike dhe gabime tipografike. Ndryshimet në specifikime dhe asortimenti mund të prodhohet pa njoftim paraprak.

Mund të gjenden disa gabimet në shkrim, në tekste dhe numra.
Dizajni dhe të dhënat teknike të pajisjes mund të ndryshojnë nga ato të treguara në paketim. Ju lutemi kontaktoni konsulentin tuaj të shitjes për më shumë informacion.

ZAWARTOŚĆ

1. WSTĘP.....	33
2. KOMPLETOWANIE.....	33
3. KRÓTKI OPIS PODGRZEWACZA WODY	33
4. PANEL STEROWANIA.....	34
5. MONTAŻ PODGRZEWACZA WODY.....	36
6. PRZYŁĄCZENIE DO WODOCIĄGU.....	37
7. PODŁĄCZENIE DO SIECI ELEKTRYCZNEJ.....	37
8. EKSPLOATACJA.....	38
9. ŚRODKI OSTROŻNOŚCI.....	38
10. ROZWIĄZYWANIE PROBLEMÓW.....	40
11. DANE TECHNICZNE.....	41
12. WYMIARY GABARYTOWE.....	42
13. SCHEMAT POŁĄCZEŃ ELEKTRYCZNYCH.....	42
14. PIELĘGNACJA I KONSERWACJA.....	43
15. TRANSPORT I MAGAZYNOWANIE.....	44
16. UTYLIZACJA.....	44
17. GWARANCJA.....	44
18. DATA PRODUKCJI.....	45

MYŚLIMY O WAS

Dziękujemy że kupili urządzenie Electrolux. Wybrali Państwo produkt poparty dziesięcioleciaми doświadczenia zawodowego i innowacji. Wyjątkowy i stylowy, stworzony z troską o państwo. Dlatego za każdym razem, gdy go będziecie używać, możecie być pewni, że efekty zawsze będą doskonałe.

Witamy w Electrolux!

Na naszej stronie internetowej możesz:



Znaleźć rekomendacje produktów, instrukcje obsługi, informacje o konserwacji:
<http://www.home-comfort.com/support/>



Sprzedając to urządzenie, sprzedawca powinien wypełnić rozdział „Szczegóły produktu”, co się znajduje na wewnętrznej stronie tylnej okładki niniejszej instrukcji.



Używane symbole



Uwaga/Ważne informacje dotyczące bezpieczeństwa



Generalne informacje i zalecenia

Serwis gwarancyjny jest wykonywany na warunkach określonych w punkcie „Gwarancja”.

Uwaga:

W tekście tej instrukcji akumulacyjny elektryczny podgrzewacz wody może mieć takie nazwy techniczne jak urządzenie, device, aparat itp.

Wstęp

Elektryczny podgrzewacz wody typu akumulacyjnego jest przeznaczony do podgrzewania zimnej wody pochodzącej z sieci wodociągowej. Służy wyłącznie do celów domowych, woda z podgrzewacza wody nie jest przeznaczona do picia i gotowania. Instalacja i pierwsze uruchomienie podgrzewacza wody musi być wykonane przez wykwalifikowanego technika, który może być odpowiedzialny za prawidłową instalację i wydać zalecenia dotyczące korzystania z podgrzewacza wody.

Podczas łączenia należy przestrzegać obowiązujących standardów i przepisów. Przed zainstalowaniem podgrzewacza wody upewnij się, że gniazdo jest uziemione.

Jeśli gniazdo nie ma uziemienia, konieczne jest uziemienie podgrzewacza wody oddzielnym przewodem uziemiającym do zacisku uziemiającego na korpusie podgrzewacza. W przypadku braku uziemienia, instalowanie i eksploatacja urządzenia jest zakazana.

Zacisk uziemienia znajduje się na korpusie podgrzewacza wody.



Uwaga!

Zabrania się używania przenośnych gniazd.



Uwaga!

Nieprawidłowa instalacja i obsługa elektrycznego podgrzewacza wody może spowodować wypadki lub szkody majątkowe.

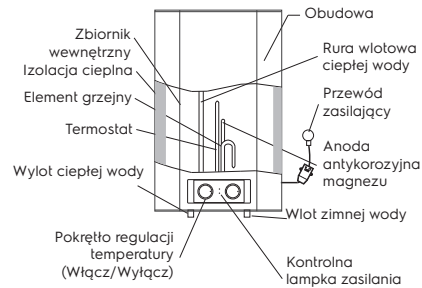
Kompletowanie

Podgrzewacz wody jest wyposażony w podstawowe elementy do instalacji i podłączenia.

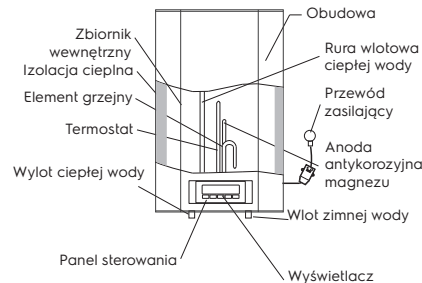
Zestaw podgrzewaczy wody Fmx EEC / Fmx DL EEC zawiera:

- Podgrzewacz wody z przewodem zasilającym + wyłącznik różnicowoprądowy - 1 szt.;
- zawór bezpieczeństwa - 1 szt.;
- instrukcja obsługi - 1 szt.;
- wyłącznik różnicowoprądowy
- szablon montażowy - 1 szt.;
- kotwa mocująca do montażu - 2 szt.;

Krótki opis podgrzewacza wody



Rys. 1 Fmx EEC



Rys. 2 FmxDL EEC

1. Automatyczna kontrola temperatury wody:

Po otwarciu kranu ciepłej wody na mikserze na wylocie podgrzewacza wody zimna woda zaczyna płynąć do wlotu, napełniając zbiornik wewnętrzny. Woda w zbiorniku miesza się, a jej temperatura spada. Czujnik termostatu reaguje na obniżenie temperatury wody, automatycznie włącza się element grzejny (grzejnik) i podgrzewa wodę do wcześniej ustawionej temperatury. Gdy temperatura osiągnie określoną wartość, grzałka automatycznie się wyłącza.

2. Ochrona podgrzewacza wody:
 - zabezpieczenie przed przegrzaniem;
 - zabezpieczenie przed korozją;
 - zabezpieczenie przed przekraczającym normę ciśnieniem hydraulicznym.
3. Stalowe zbiorniki wewnętrzne ze specjalną powłoką ochronną są wykonane zaawansowaną metodą elektrostatycznego emalowania na sucho. Specjalny stop zbiornika wewnętrzного jest odporny na korozję i osadzanie się kamienia. Wewnętrzna powłoka ochronna zbiorni-

ka wykonana ze specjalnie zaprojektowanego szkliwa o drobnej dyspersji.

Właściwości szkliwa:

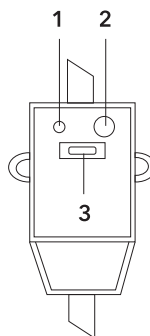
- zwiększona przyczepność i wysoka plastyczność (hartowana w temperaturze 850 °C);
 - rozszerza się lub kurczy przy zmianach temperatury w tej samej proporcji co ściany zbiornika wewnętrznego, nie tworząc mikropęknięć, w których może wystąpić ognisko korozji
4. Suche termiczne elementy grzejne (elementy grzejne) są niezawodne i bezpieczne w obsłudze, mają długą żywotność. Elementy grzejne są umieszczane w metalowych osłonach ochronnych pokrytych warstwą drobno zdyspergowanego szkliwa, które eliminują bezpośredni kontakt elementów grzejnych z wodą, odpowiednio na elementach grzejnych nie powstaje kamień, co zwiększa ich pracę i wydłuża żywotność.
 5. Tryb (ECO) na panelu sterowania zapewnia:
 - podgrzanie wody do komfortowej temperatury, około 50-55 °C;
 - zapobiega osadzaniu się kamienia;
 - zwiększa żywotność urządzenia
 6. Wewnętrzna izolacja termiczna pozwala skutecznie utrzymać temperaturę podgrzanej wody, minimalizuje straty ciepła i zmniejsza zużycie energii.
 7. Wbudowany regulator temperatury: zapewnia stałą i niezawodną kontrolę temperatury wody.
 8. Zakres regulacji temperatury ogrzewania wody w modelach Fmx wynosi od 30 °C do 75 °C. Temperatura ogrzewania jest regulowana od lewej do prawej strony (zgodnie z ruchem wskazówek zegara) od minimum do ekonomicznego trybu ECO 55 °C do maksimum. Maksymalna temperatura podgrzewania wody w modelach FmxDL wynosi 75 °C. ECO-tryb ekonomiczny, około 55 °C. Za pomocą przycisków na panelu sterowania „+” lub „-” można regulować temperaturę z dokładnością do 1 °C.
 9. Prosta i wygodna obsługa i konserwacja podgrzewacza wody.

UZO (urządzenie zabezpieczające przed odłączeniem)

- 100% zapobieganie porażeniu prądem.
- Postępuj zgodnie z instrukcjami instalacji podczas podłączenia elektrycznego podgrzewacza wody.
- Po podłączeniu do sieci elektrycznej na przedniej stronie RCD zaświeci się lampka Power (1).
- Aby przetestować UZO, naciśnij przycisk TEST (2). Wskaźnik zasilania (1) zostanie

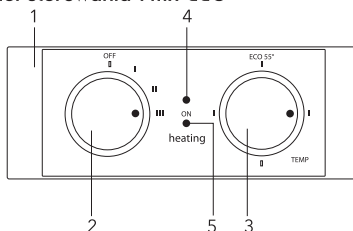
wyłączony.

- Aby ponownie uruchomić UZO, naciśnij przycisk (3).



Panel sterowania

Panel sterowania Fmx EEC

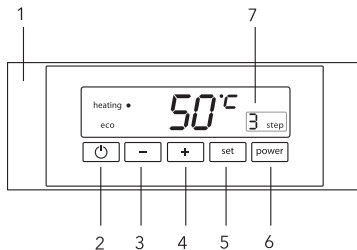


Rys. 3 FmxDL EEC

1. Panel sterowania.
2. Pokrętko włączania / wyłączania („ON” / „OFF”) - przetaczanie stopni grzania.
 - – znak „OFF” - wyłączenie ogrzewania
 - ▬ – znak włączenia ogrzewania. Pierwszy stopień mocy 800 W
 - ▮ – znak włączenia drugiego stopnia mocy grzewczej 1200 W.
 - ▣ – znak włączenia trzeciej mocy grzewczej 2000 W.
3. Pokrętko regulacji temperatury
 - – znak etykieta na dole odpowiada minimalnej temperaturze wody w podgrzewaczu wody (wyłączenie ogrzewania).
 - ▬ – znak po lewej stronie odpowiada minimalnej temperaturze ogrzewania wody w podgrzewaczu wody (włączenie ogrzewania).
 - ECO 55 – etykieta trybu Eco odpowiada temperatura podgrzewania wody w podgrzewaczu wody do 55 °C.
 - ▬ – znak po prawej stronie odpowiada maksymalnej temperaturze ogrzewania wody w podgrzewaczu wody (75 °C)

4. Kontrolka „ON” – świeci na zielono, gdy podgrzewacz wody jest włączony.
5. Kontrolka «HEATING» – świeci na czerwono, gdy element grzewczy działa i działa ogrzewanie wody.

Panel sterowania FmxDL EEC



Rys. 4 FmxDL EEC

1. Panel sterowania.
2. Przycisk „ON”/ „OFF”, aby włączyć / wyłączyć podgrzewacz wody (ogrzewanie).
3. Przycisk regulacji temperatury – „-” obniżenie temperatury.
4. Przycisk regulacji temperatury – „+” wzrost temperatury.
5. Przycisk „SET”:
 - wyświetlanie ustawionej temperatury;
 - zapamiętaniej ustawioną temperaturę;
 - ustawić temperaturę z pamięci podgrzewacza wody
6. Przycisk „POWER” – regulacja mocy grzewczej.
7. Wskazanie wybranego stopnia mocy grzewczej:
 - 1 stopień – 800 W.
 - 2 stopień – 1200 W.
 - 3 stopień – 2000 W.

Wybór trybu zasilania zapewnia szybkie nagrzewanie lub umożliwia korzystanie z podgrzewacza wody w pomieszczeniach o ograniczonej mocy sieci elektrycznej.

Podłączenie do sieci modeli Fmx EEC

Podłącz wtyczkę do gniazdka i włącz Podgrzewacz wody. Zaświeci się lampka kontrolna. Oznacza to, że podgrzewacz wody jest podłączony do sieci elektrycznej i jest zasilany. Obróć pokrętko regulacji temperatury w kierunku przeciwnym do ruchu wskazówek zegara, aby włączyć ogrzewanie. Ustaw za pomocą regulacji temperatury ogrzewania Wymagany poziom ogrzewania wody. Wskaźnik «ECO» – tryb ekonomiczny, odpowiada temperaturze ogrzewania około 55 °C. ogrzewanie wody wyłącza się automatycznie

po osiągnięciu ustawionej temperatury i włącza się automatycznie do ogrzewania. Jeśli chcesz wyłączyć ogrzewanie wody, obróć pokrętko regulacji temperatury do pozycji «OFF». Lampka zasilania zaświeci się, gdy podgrzewacz wody zostanie podłączony do zasilania. W niektórych modelach lampka kontrolna zacznie migać po włączeniu elementu grzejjego. Termostat zapewni ponowne włączenie elementu grzejjego po zużyciu pewnej ilości wody.

Ustawienie temperatury

Zakres regulacji temperatury podgrzewacza wody od 30 °C (minimum) do 75 °C (maksimum). Ustawienie temperatury odbywa się za pomocą regulatora znajdującego się na płycie czołowej urządzenia.

Podłączenie do sieci modeli FmxDL EEC

Włóż wtyczkę podgrzewacza wody do gniazdka. Podgrzewacz wody rozpocznie autodiagnostykę. Wskazanie na wyświetlaczu będzie migać przez około 2 sekundy, zaświeci się tylko wskazanie temperatury wody w podgrzewaczu wody - podgrzewacz wody przeszedł w tryb gotowości „STAND BY”. Jeśli Podgrzewacz wody wykryje jakiegokolwiek błąd podczas autodiagnozy, wtedy wskazanie będzie migać przez cały czas.

Włączanie i ustawianie temperatury

Po naciśnięciu klawiszy podgrzewacz wody włącza się, a wskaźnik ogrzewania zaświeci się na czerwono, ostatnia ustawiona temperatura lub ustawiona podczas pierwszego włączenia ustawienie fabryczne ECO wynosi 55 °C, będzie migać na czerwono przez 2 sekundy. Po 2 sekundach wskaźnik ustawionej temperatury zgaśnie i rozpocznie się podgrzewanie wody. Wyświetlacz pokaże temperaturę wody w podgrzewaczu wody. Dla łatwości użytkowania można ustawić indywidualny tryb temperatury ogrzewania wody, który utrzyma podgrzewacz wody za każdym razem, gdy jest włączony.

Naciśnij SET i przytrzymaj przez 3 sekundy. Ustawiana temperatura będzie migać (35 °C). Jeśli się zgadzasz, szybko naciśnij SET raz, aby potwierdzić. Temperatura jest ustawiona w pamięci urządzenia i rozpocznie się ogrzewanie. Jeśli chcesz zmienić temperaturę, Użyj klawiszy „+” lub „-”. Po wybraniu temperatury będzie migać przez 3 sekundy, aby potwierdzić, szybko naciśnij raz SET. Jeśli nie naciśniesz SET, aby

potwierdzić, wybrana temperatura będzie migać przez 3 sekundy, a następnie rozpocznie się ogrzewanie, wybrana temperatura będzie utrzymywana tylko do momentu wyłączenia podgrzewacza wody przez użytkownika. Wybrana temperatura nie zostanie zapamiętana.

Przytrzymując klawisz SET przez 5 sekund (lub 7 sekund) i powtarzając wszystkie powyższe czynności, można ustawić jeszcze dwie wartości temperatury w pamięci urządzenia. Ostatnia ustawiona temperatura działa równo dla wszystkich trzech trybów pamięci. Podczas ogrzewania zostanie wyświetlona temperatura wody w podgrzewaczu wody.

Wskaźnik temperatury na wyświetlaczu pokazuje temperaturę wody w podgrzewaczu wody. Aby sprawdzić podczas ogrzewania, jaka jest ustawiona temperatura, naciśnij szybko raz SET, a ustawiona temperatura zostanie wyświetlona w ciągu 3 sekund. Po 3 sekundach zostanie wyświetlona temperatura wody w podgrzewaczu wody. Gdy temperatura osiągnie wartość zadaną, wskaźnik „HEATING” zgaśnie.

Tryb Przeciw Zamarzaniu

Aby zapobiec zamarzaniu wody, podgrzewacz wody automatycznie rozpoczyna ogrzewanie, gdy temperatura wody w zbiorniku wewnętrznym spadnie poniżej 6°C. Po osiągnięciu temperatury 10°C ogrzewanie zatrzymuje się. Funkcja działa, gdy urządzenie jest podłączone do zasilania. Dostępne w serii FmxDL EEC.

Jeśli w pomieszczeniu wyłaczy się prąd

1. Jeśli energia elektryczna zostanie wyłączona podczas ogrzewania, to po włączeniu energii elektrycznej w pomieszczeniu Podgrzewacz wody włączy się do ogrzewania, jak wcześniej zainstalowano.
2. Jeśli Podgrzewacz wody nie był włączony, był w trybie „STAND BY”, po włączeniu zasilania w pomieszczeniu podgrzewacz wody nie rozpocznie ogrzewania.

Montaż podgrzewacza wody



Upewnij się, że do zainstalowania podgrzewacza wody używane są oryginalne

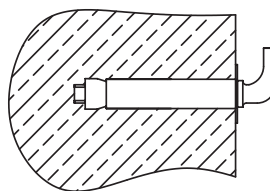
części dostarczone przez producenta, które mogą wytrzymać ciężar podgrzewacza wody wypełnionego wodą. Nie instaluj podgrzewacza wody na uchwycie, dopóki nie upewnisz się, że uchwyt jest bezpiecznie zainstalowany. W przeciwnym razie Podgrzewacz wody może spaść ze ściany, powodując jego uszkodzenie lub powodując poważne obrażenia. Wybierając miejsca pod otwory na śruby mocujące, upewnij się, że po obu stronach ściany łazienki lub innego pomieszczenia do korpusu podgrzewacza wody znajduje się szczelina co najmniej 0,2 m, a po stronie połączenia rur co najmniej 0,5 m, aby ułatwić dostęp podczas konserwacji w razie potrzeby.

W przypadku, gdy woda przepływa bezpośrednio do podgrzewacza wody ze studni lub wieży, konieczne jest użycie filtra zgrubnego do zimnej wody wchodzącej do podgrzewacza wody.

Filtr zgrubny można kupić w wyspecjalizowanych sklepach. Jeśli filtr zgrubny nie jest zainstalowany, gwarancja na produkt nie jest objęta gwarancją.

1. Podgrzewacz wody powinien być zainstalowany na twardej pionowej powierzchni (ścianie).
2. Po wybraniu miejsca instalacji wykonaj dwa otwory o wymaganej głębokości w ścianie i włóż śruby, obróć hak do góry, dokręć mocno nakrętki, a następnie zainstaluj na nim podgrzewacz wody (patrz rys. 5).

Kotwa mocująca do montażu



Rys. 5

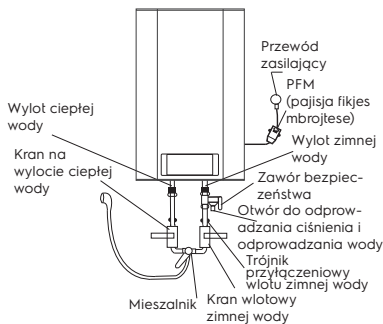
Objętość, l	27	46	73	93
Odległość między otworami, mm	196			

3. Jeśli łazienka jest zbyt mała, aby zainstalować podgrzewacz wody, on może być zainstalowany w każdym innym pomieszczeniu chronionym przed bezpośrednim działaniem promieni słonecznych i deszczu. Aby jednak zmniejszyć straty

ciepła w rurociągu, Podgrzewacz wody powinien być zainstalowany jak najbliżej miejsca użycia wody.

- Po podłączeniu do systemu zaopatrzenia w wodę konieczne jest zapewnienie i wdrożenie instalacji poszczególnych zaworów odcinających na linii doprowadzającej zimną wodę do podgrzewacza wody i na linii wylotowej ciepłej. Poszczególne zawory odcinające na linii ciepłej i zimnej wody powinny być zamknięte w okresie nieużywania podgrzewacza wody, prowadzenia prac zapobiegawczych i technologicznych na linii zaopatrzenia w wodę. Instalacja i prawidłowe użytkowanie zaworów odcinających jest warunkiem koniecznym podczas świadczenia usługi gwarancyjnej, a także gwarancją długiej i bezawaryjnej pracy podgrzewacza wody.

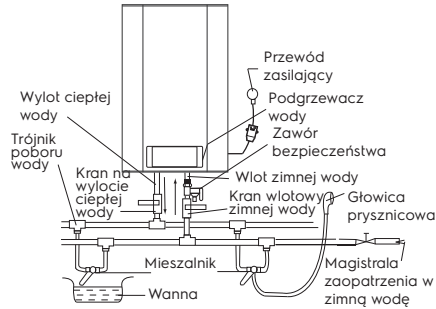
Przyłączenie do wodociągu



Rys. 6

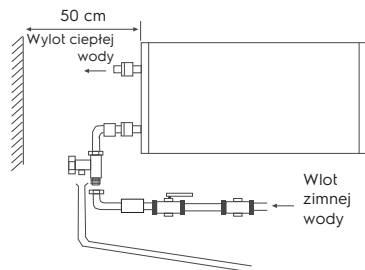
- Aby podłączyć podgrzewacz wody do wody, stosuje się rury o średnicy G1/2.
- Podłączenie zaworu zwrotnego: zawór należy zainstalować w miejscu wlotu zimnej wody (należy upewnić się, że rura spustowa jest zainstalowana, na otworze spustowym ciśnienia i odpływu wody i jest skierowana w dół do specjalnego odpływu w celu usunięcia wody).
- Aby uniknąć wycieków podczas podłączania rurociągu, na końcach połączeń gwintowych należy zainstalować kompletne gumowe uszczelki uszczelniające.
- Jeśli konieczne jest wdrożenie systemu zaopatrzenia w wodę dla kilku punktów poboru wody, użyj metody połączenia (patrz rys. 7).
- Jeśli ciśnienie w linii może przekraczać 5 barów, należy zainstalować reduktor ciśnienia wody. W przypadku braku

reduktora ciśnienia i przekroczenia ciśnienia w linii zimnej wody urządzenie nie jest serwisowane w ramach gwarancji.



Rys. 7

- Instalowanie wodnych podgrzewaczy serii Fmx, Fmx DL jest znacznie ułatwione możliwością montażu zarówno w poziomie, jak i w pionie w dowolnym miejscu domu, w ogrzewanym pomieszczeniu. Instalowanie podgrzewacza wodnego pożądanym jest jak najbliżej miejsca, gdzie używa się ciepła woda, ponieważ im krótsze rury, tym mniejsze są straty ciepła. W przypadku poziomej instalacji podgrzewacza wodnego, rury zasilające powinny znajdować się po lewej stronie. Instalując podgrzewacz wodny przy ścianie, należy pozostawić wolną przestrzeń do celów konserwacji. Nie instaluj podgrzewacza wodnego na poziomej powierzchni i blisko podłogi. (Patrz rys. 8).



Rys. 8

Podłączenie do sieci elektrycznej

Wszystkie podgrzewacze wody z tej serii są przystosowane do podłączenia do sieci elektrycznej o napięciu jednofazo-

wym 220/240 przez podłączenie do przodu upewnij się, że parametry sieci elektrycznej w miejscu podłączenia są zgodne z danymi technicznymi urządzenia.

Podczas instalowania podgrzewacza wody należy przestrzegać obowiązujących zasad bezpieczeństwa elektrycznego.

Podczas instalowania podgrzewacza wody w łazience lub toalecie należy wziąć pod uwagę ograniczenia związane z istnieniem zabronionych i ochronnych objętości.

Zakazana objętość – to przestrzeń ograniczona stycznymi i pionowymi płaszczyznami w stosunku do zewnętrznych krawędzi wanny, toalety lub prysznicia oraz płaszczyzną umieszczoną nad nimi lub nad podłogą, jeśli instalacja hydrauliczna jest zamontowana na podłodze, na wysokości 2.25 m.

Objętość ochronna – to przestrzeń, której ograniczające płaszczyzny poziome pokrywają się z płaszczyznami zabronionej objętości, a płaszczyzny pionowe są oddalone od odpowiednich płaszczyzn zabronionej objętości o 1 m.

Obliczone dane dla miedzi wybór przekroju kabla (drułu) według mocy i długości miedzi, $U = 220\text{ V}$, jednofazowy

P, kWt	1	2	3	3,5	4	6	8
I, A	4,5	9,1	13,6	15,9	18,2	27,3	36,4
Przekrój rdzenia przewodzącego, mm ²	1	1	1,5	2,5	2,5	4	6
Maksymalna dopuszczalna długość kabla przy określonym przekroju, m	34,6	17,3	17,3	24,7	21,6	23	27

Eksploatacja

Napełnianie wodą

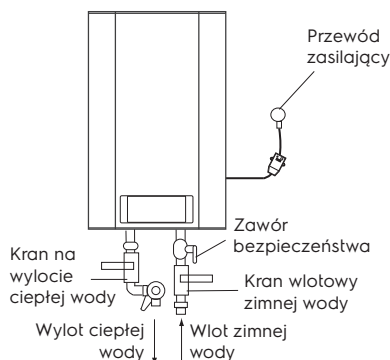
Po zainstalowaniu podgrzewacza wody zamknij wlot ciepłej wody do mieszkania, otwórz zawór doprowadzający zimną wodę. Otwórz kran ciepłej wody na mikserze. Gdy podgrzewacz wody jest pełny, woda wypłynie z niego. Zamknij kran ciepłej wody na mikserze i upewnij się, że nie ma wycieków. W przypadku niepewności co do tego, czy podgrzewacz wody ma wodę, nie podłączaj go do sieci elektrycznej.

Środki ostrożności

Ustawienie temperatury

Zakres regulacji temperatury nagrzewnicy wodnej od 30 °C (minimum) do 75 °C (maksimum). W modelach serii Fmx EEC / Fmx DL EEC ustawienie temperatury odbywa się za pomocą pokrętła regulacji temperatury znajdującego się na dolnej pokrywie urządzenia.

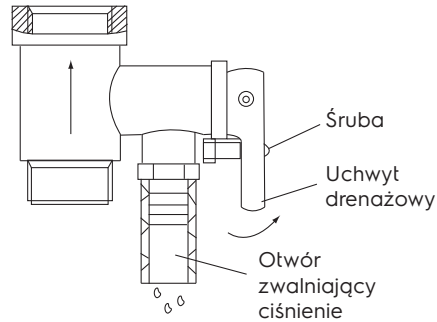
1. Gniazdo zasilania musi być bezpiecznie uziemione. Prąd znamionowy gniazda nie powinien być niższy niż 10 A. Gniazdo i wtyczka powinny być zawsze suche, aby zapobiec zwarciom w sieci elektrycznej. Okresowo sprawdzaj, czy wtyczka jest szczelnie włożona do gniazdka. Metoda sprawdzania jest następująca: włoś wtyczkę sieciową do gniazdka, po pół godzinie wyłącz Podgrzewacz wody i wyciągnij wtyczkę z gniazdka. Zwróć uwagę, czy wtyczka jest ciepła w dotyku. Jeśli czujesz ręką, że jest ciepło (w temperaturze powyżej 50 °C), wymień gniazdo na inne, w którym wtyczka pasuje ciasno. Pomoże to uniknąć pożaru, uszkodzenia wtyczki lub innych wypadków spowodowanych złym kontaktem.
2. Ściana, na której zainstalowany jest podgrzewacz wody, powinna być zaprojektowana tak, aby wytrzymać obciążenie dwukrotnie większe niż całkowita masa podgrzewacza wody wypełnionego wodą. W przeciwnym razie należy podjąć dodatkowe środki w celu wzmocnienia produktu.
3. Zawór bezpieczeństwa należy zainstalować w miejscu wlotu wody (patrz rys. 9).



Rys. 9

4. Przy pierwszym użyciu podgrzewacza wody (lub przy pierwszym użyciu po konserwacji lub czyszczeniu) nie należy włączyć podgrzewacza wody do momentu całkowitego napełnienia wodą. Podczas napełniania zbiornika podgrzewacza wody należy otworzyć kran ciepłej wody, aby spuścić powietrze. Po napełnieniu zbiornika wodą i wypłynięciu wody z kranu kran można zamknąć.
5. Podczas podgrzewania wody z otworu wylotowego ciśnienia zaworu bezpieczeństwa może wypływać woda. To normalne zjawisko. Jednak w przypadku dużych wycieków należy skontaktować się z technikami serwisowymi. W żadnym wypadku nie należy blokować otworu wylotowego ciśnienia; w przeciwnym razie może to spowodować awarię podgrzewacza wody.
6. Na otworze wylotowym ciśnienia w zaworze bezpieczeństwa należy zainstalować rurkę spustową i wyprowadzić ją do kanalizacji w przypadku spuszczenia wody. Rura spustowa połączona z otworem uwalniającym ciśnienie powinna być skierowana w dół.
7. Ponieważ temperatura wody wewnątrz podgrzewacza wody może osiągnąć 75 °C, gorąca woda nie powinna dostać się do ludzkiego ciała. Aby uniknąć poparzeń, możesz regulować temperaturę wody za pomocą kranu miksera.
8. W przypadku długotrwałej nieobecności, prac naprawczych, technologicznych i zapobiegawczych na linii zaopatrzenia w wodę lub długotrwałego nieużywania podgrzewacza wody konieczne jest odcięcie poszczególnych zaworów odcinających na linii zaopatrzenia w zimną wodę do podgrzewacza wody i na linii wylotowej podgrzewacza wody, a także wyłączenie podgrzewacza wody i odłączenie od zasilania, wyjmując wtyczkę z gniazdka.
9. W przypadku korzystania z podgrzewacza wody w pomieszczeniach ze scentralizowanym dostarczaniem wody, w okresie odcięcia ciepłej wody, należy wyłączyć zawór odcinający dopływ ciepłej wody z przewodów zasilających (pionu).
10. Możesz spuścić wodę z podgrzewacza wody za pomocą zaworu bezpieczeństwa, odcinając dopływ zimnej wody do podgrzewacza wody i otwierając uchwyt spustowy na zaworze bezpieczeństwa. W takim przypadku spuszczenie wody z podgrzewacza wody powinno odbywać się przez otwór spustowy w zaworze do

systemu odprowadzania ścieków (podczas odprowadzania wody otwórz kran na mikserze - którego woda do uwolnienia powietrza).



Rys. 10

11. W przypadku awarii elastycznego przewodu zasilania elektrycznego należy go wymienić na podobny dostarczony przez producenta. Wymiana powinna być przeprowadzana przez doświadczonych techników konserwacji.
12. W przypadku uszkodzenia jednej z części podgrzewacza wody należy skontaktować się z technikami serwisowymi w celu przeprowadzenia naprawy. Należy używać wyłącznie części zamiennych dostarczonych przez producenta.
13. To urządzenie nie jest przeznaczone do użytku przez osoby (w tym dzieci) o ograniczonych zdolnościach fizycznych lub umysłowych oraz braku umiejętności lub wiedzy, z wyjątkiem przypadków pokazania lub prawidłowego instruowania przez osobę odpowiedzialną za ich bezpieczeństwo.
14. Z podgrzewacza wody należy całkowicie spuścić wodę, jeśli nie będzie on używany przez długi czas lub temperatura w pomieszczeniu, w którym jest zainstalowany, może spaść poniżej 0 °C.

Rozwiązywanie problemów

Odmowy	Przyczyny	Usuwanie
Wskaźnik nagrzewania jest wyłączony	Awaria regulatora temperatury	Skontaktuj się z technikami serwisowymi w celu przeprowadzenia naprawy
Nie ma wody z kranu ciepłej wody	<ol style="list-style-type: none"> 1. Dopływ wody do wodociągu jest zablokowany 2. Ciśnienie wody jest zbyt niskie 3. Zawór wlotowy wody jest zablokowany 	<ol style="list-style-type: none"> 1. Poczekaj na wznowienie dopływu wody 2. Użyj podgrzewacza wody, gdy ciśnienie wody ponownie wzrośnie 3. Otwórz wlot wody z kranu
Temperatura wody przekracza dopuszczalny poziom	Awaria systemu regulacji temperatury	<ol style="list-style-type: none"> 1. Konieczne jest natychmiastowe wyłączenie podgrzewacza wody z sieci 2. Skontaktuj się z technikami serwisowymi w celu przeprowadzenia naprawy
Brak ogrzewania wody	Ogrzewanie nie jest włączone	Przetącz pokrętkę " ON / OFF "(Wł./ Wył. w pozycji low <ol style="list-style-type: none"> 1. Odłącz Podgrzewacz wody od sieci 2. Ochłódź Podgrzewacz wody, otwierając w tym celu gorący kran wody i utrzymując jego otwartym, aż temperatura wody spadnie 3. Zdejmij pokrywę 4. Naciśnij mały przycisk na obudowie wyłącznika bezpieczeństwa 5. Ponownie załóż pokrywę i ponownie podłącz urządzenie do sieci 6. Jeśli usterka się powtórzy, skontaktuj się z serwisem
	Zadziałł ochronny czujnik termiczny	
	Uszkodzony element grzejny	Skontaktuj się ze specjalistą serwisu
	Wadliwa tablica elektroniczna	Skontaktuj się ze specjalistą serwisu
Wyciek wody	Usterka uszczelnienia rury	Wymień uszczelkę
Wszystkie wskaźniki migają więcej niż 10 sekund	Możliwe błędy w działaniu podgrzewacza wody	Wyłącz Podgrzewacz wody z sieci i włącz ponownie. Jeśli wskazanie migają ponownie więcej niż 10 sekund, zadzwoń do serwisanta

Dane techniczne

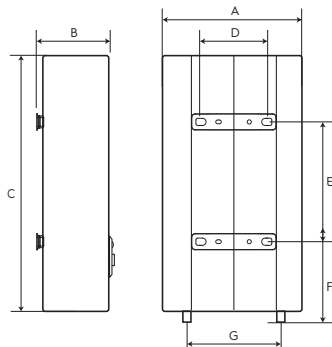
Model	EWH 30 Fmx EEC	EWH 50 Fmx EEC	EWH 80 Fmx EEC	EWH 100 Fmx EEC
Objętość, l	27	46	73	93
Moc znamionowa, W	2000	2000	2000	2000
Napięcie zasilania, V-Hz	220-240-50	220-240-50	220-240-50	220-240-50
Amperaż, A	9.09	9.09	9.09	9.09
Minimalne ciśnienie, Bar	0,8	0,8	0,8	0,8
Maksymalne ciśnienie*, Bar	7.5	7.5	7.5	7.5
Maksymalna temperatura wody, °C	75	75	75	75
Klasa ochrony elektrycznej	I klasa	I klasa	I klasa	I klasa
Poziom bezpieczeństwa	IPX4	IPX4	IPX4	IPX4
Czas nagrzewania od 10 °C do 75 °C**, min.	71.4	119.04	190.8	238.8
Rozmiar urządzenia (S×W×G), mm	344×545×359	344×825×359	454×729×469	454×879×469
Rozmiar opakowania (S×W×G), mm	429×640×429	429×920×429	539×849×539	539×999×539
Waga netto/brutto, kg	16.08/17.75	22.08/24.09	27.17/31.21	31.76/35.8

Model	EWH 30 FmxDL EEC	EWH 50 FmxDL EEC	EWH 80 FmxDL EEC	EWH 100 FmxDL EEC
Objętość, l	27	46	73	93
Moc znamionowa, W	2000	2000	2000	2000
Napięcie zasilania, V-Hz	220-240-50	220-240-50	220-240-50	220-240-50
Amperaż, A	9.09	9.09	9.09	9.09
Minimalne ciśnienie, Bar	0,8	0,8	0,8	0,8
Maksymalne ciśnienie*, Bar	7.5	7.5	7.5	7.5
Maksymalna temperatura wody, °C	75	75	75	75
Klasa ochrony elektrycznej	I klasa	I klasa	I klasa	I klasa
Poziom bezpieczeństwa	IPX4	IPX4	IPX4	IPX4
Czas nagrzewania od 10 °C do 75 °C**, min.	71.4	119.04	190.8	238.8
Rozmiar urządzenia (S×W×G), mm	344×545×359	344×825×359	454×729×469	454×879×469
Rozmiar opakowania (S×W×G), mm	429×640×429	429×920×429	539×849×539	539×999×539
Waga netto/brutto, kg	16.06/17.65	22.09/24.1	24.1/28.22	31.77/35.31

* Przy maksymalnym ciśnieniu rozpoczyna się odprowadzanie nadmiaru ciśnienia przez zawór bezpieczeństwa. Jeśli ciśnienie w sieci wodociągowej przekracza 7.5 bar (nominalne ciśnienie robocze), konieczne jest zainstalowanie zaworu redukcyjnego.

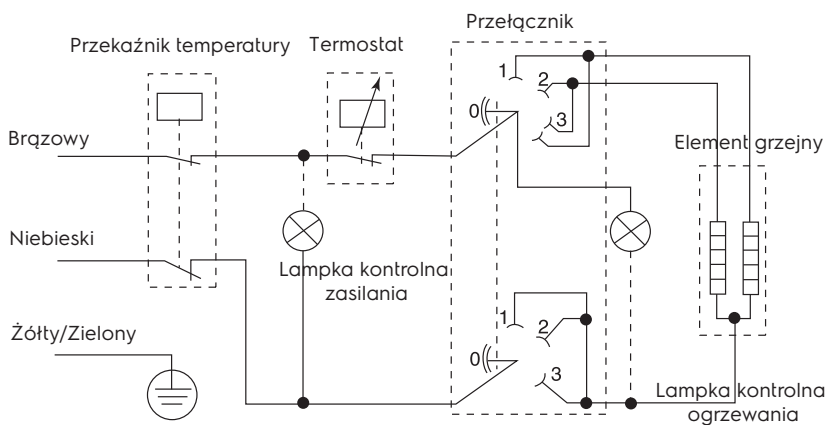
** Czas nagrzewania jest wskazany przy pełnej mocy grzewczej i obliczony w idealnych warunkach otoczenia. Producent zastrzega sobie prawo do wprowadzania zmian.

Wymiary gabarytowe

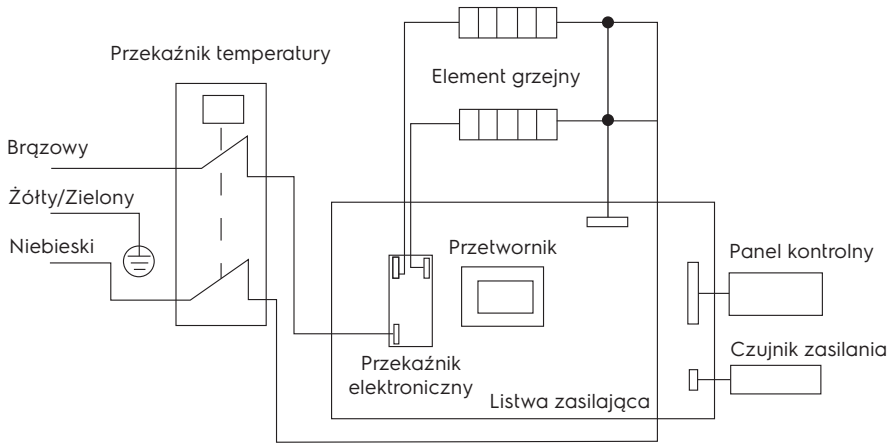


	EWH 30 FMX EEC/FMX DL EEC	EWH 50 FMX EEC/FMX DL EEC	EWH 80 FMX EEC/FMX DL EEC	EWH 100 FMX EEC/FMX DL EEC
A, MM	344	344	454	454
B, MM	359	359	469	469
C, MM	545	825	729	879
D, MM	196	196	196	196
E, MM	253	401	297	447
F, MM	174	172	281	278
G, MM	100	100	100	100

Schemat połączeń elektrycznych EWH Fmx EEC



Schemat połączeń elektrycznych EWH FmxDL EEC



Pielęgnacja i konserwacja

**Uwaga!****Zawsze odłączaj Podgrzewacz wody od sieci elektrycznej przed konserwacją**

Aby zapewnić długą żywotność i zachować aktualną gwarancję na wewnętrzną pojemność wodną, konieczne jest przeprowadzenie konserwacji przez wykwalifikowanych specjalistów nie później niż rok po rozpoczęciu eksploatacji, co powinno obejmować obowiązkową kontrolę obecności kamienia na grzejniku i wewnętrznej wnęce zbiornika wodnego, a także stan anody magnezowej. W przypadku silnego zużycia anoda magnezowa musi zostać wymieniona. Gwarancja na zbiornik wody i element grzejny w przypadku zużytej anody (objętość resztkowa mniejsza niż 30% pierwotnej) jest nieważna.

Zgodnie z wynikami kontroli podgrzewacza wody podczas pierwszej konserwacji ustala się częstotliwość regularnej konserwacji, której należy przestrzegać przez cały okres użytkowania urządzenia. W przypadku zmiany adresu pracy urządzenia, a także zmian warunków pracy (jakości wody) ujawnionych w wyniku kolejnej konserwacji, regularność konserwacji może zostać zmieniona. Potwierdzeniem przeprowadzenia konserwacji jest wypełniony punkt w tabeli przeprowadzonej konserwacji.

W regionach o szczególnie twardej wodzie, z wodą zawierającą korrozyjne aktywne

zanieczyszczenia, może być konieczne częstsze przeprowadzanie takiej kontroli. Aby to zrobić, musisz uzyskać odpowiednie informacje od specjalisty lub bezpośrednio w przedsiębiorstwie zapewniającym zaopatrzenie w wodę! W przypadku braku konserwacji lub całkowitego zużycia / braku anody magnezowej w podgrzewaczu wody gwarancja na podgrzewacz wody jest nieważna.

**Uwaga!**

Nagromadzenie się kamienia na grzejniku i obecność osadu w zbiorniku wewnętrznym może prowadzić do awarii podgrzewacza wody i jest podstawą do odmowy serwisu gwarancyjnego. Regularna konserwacja jest środkiem zapobiegawczym i nie jest objęta gwarancją.

W zakresie niedozwolonym nie wolno instalować wyłączników, gniazd.

W zakresie ochronnym instalacja przetworników jest zabroniona, jednak możliwe jest zainstalowanie gniazd z uziemieniem. Podgrzewacz wody powinien być zainstalowany poza zabronioną objętością, aby strumienie wody nie dostały się na niego. Podłączenie urządzenia do sieci elektrycznej powinno odbywać się za pomocą dedykowanego gniazda uziemiającego podłączonego do indywidualnego wyłącznika w rozdzielni.

Aby zapewnić bezpieczeństwo pracy pod-

grzewacza wody, należy zainstalować maszynę o odpowiedniej wartości znamionowej.

Podłączenie do sieci musi obejmować uzziemienie. Wtyczka kabla zasilającego podgrzewacza wody ze specjalnym złączem uzimającym powinna być włożona tylko do gniazdka.

Regulator temperatury ogrzewania.

Podczas codziennego użytkowania zaleca się, aby Podgrzewacz wody był podłączony do sieci, ponieważ termostat włącza ogrzewanie tylko wtedy, gdy jest to wymagane do utrzymania ustawionej temperatury.

Spuszczanie wody. Z podgrzewacza wody należy całkowicie spuścić wodę, jeśli nie będzie on używany przez długi czas lub temperatura w pomieszczeniu, w którym jest zainstalowany, może spaść poniżej 0 °C. Odpływ można wykonać za pomocą zaworu bezpieczeństwa, wyciek spod trzpienia zaworu jest możliwy.



Uwaga!

Do odpływu można zapewnić trójnik z zaworem między zaworem a tuleją.

Przed spuszczeniem wody z podgrzewacza wody nie zapomnij:

- odłączyć podgrzewacz wody od sieci;
- zamknij zawór wlotowy wody;
- otwórz kran ciepłej wody.

Regularnie przeprowadzaj konserwację podgrzewacza wody z pomocą specjalistów autoryzowanego centrum serwisowego.



Uwaga!

W żadnym wypadku nie należy zdejmować pokrywy podgrzewacza wody bez uprzedniego odłączenia go od sieci elektrycznej.

Serwis gwarancyjny odbywa się zgodnie z obowiązkami gwarancyjnymi wymienionymi w karcie gwarancyjnej. Producent zastrzega sobie prawo do wprowadzania zmian w konstrukcji i charakterystyce urządzenia bez wcześniejszego powiadomienia.

Transport i magazynowanie

Podgrzewacze wody w Opakowaniu Producenta mogą być transportowane wszystkimi rodzajami transportu wewnątrzne- zgodnie z zasady przewozu towarów obo-

wiązujące w tym rodzaju transportu. Warunki transportu w temperaturze od minus 50 do plus 50 °C i przy wilgotności względnej do 80 % przy plus 25 °C).

Podczas transportu należy wykluczyć ewentualne uderzenia i ruchy opakowań z podgrzewaczami wody wewnątrz środka Trans krawca. Transport i układanie odbywa się zgodnie ze znakami manipulacyjnymi podanymi na opakowaniu. Podgrzewacze wody powinny być przechowywane w Opakowaniu Producenta w warunkach przechowywania od PLUS 1 °C do plus 40 °C i wilgotności względnej do 80% w 25 °C).

Utylizacja



Urządzenie, którego termin upłynął, nie może być wyrzucane wraz z odpadami domowymi (2012/19/UE).

Gwarancja

Serwis gwarancyjny jest wykonywany na warunkach określonych w punkcie "Gwarancja".

Gwarancja:

- Okres gwarancji wynosi dwa lata od daty zakupu. Jeśli w trakcie dwuletniego okresu gwarancji wystąpią jakiegokolwiek wady spowodowane wadami materiałowymi i/lub produkcyjnymi, przedmiot należy naprawić lub wymienić.
- Bezpłatna naprawa lub wymiana jest możliwa tylko w przypadku dostarczenia przekonujących dowodów, na przykład odcinka, który potwierdza, że dzień zgłoszenia usługi mieści się w okresie gwarancyjnym.
- Gwarancja nie obejmuje produktów i/ lub części produktu, które ulegają zepsuciu, mogą być uważane za materiały zużywalne lub które są wykonane ze szkła.
- Gwarancja traci ważność, jeżeli wada jest spowodowana uszkodzeniem wynikającym z niewłaściwego użytkowania, złej konserwacji (np. Awaria powstała na skutek wniknięcia ciał obcych lub płynów) lub jeśli zmiany lub naprawy zostały wykonane przez osoby nieupoważnione przez Producenta.
- Dla prawidłowego użytkowania produktu użytkownik musi ściśle przestrzegać wszystkich instrukcji zawartych w instrukcji

obsługi, i powinien powstrzymać się od wszelkich działań lub manipulacji, które są opisane jako niepożądane lub o których są wskazówki w instrukcji obsługi.

- Te ograniczenia gwarancyjne nie mają wpływu na twoje prawa.

Wsparcie:

Wsparcie w okresie gwarancyjnym i po jego zakończeniu jest dostępne we wszystkich krajach, w których produkt jest oficjalnie dystrybuowany. Skontaktuj się ze sprzedawcą, aby uzyskać pomoc.

Data produkcji

Data produkcji jest podana na naklejce na korpusie urządzenia, a także zaszyfrowana w Code-128. Datę produkcji określa się w następujący sposób:

SN XXXXXXX XXXX XXXXXX XXXXX

Miesiąc i rok produkcji

Nie usuwaj i numeru seryjnego na korpusie urządzenia. Jeśli naklejka z numerem seryjnym zostanie zgubiona lub uszkodzona, w razie potrzeby nie będzie możliwe wyjaśnienie daty produkcji.

Producent/Importer: CladSwiss AG,
Bahnhofstrasse 27, 6300 Zug, Szwajcaria
E-mail: info@cladswiss.com

Wyprodukowano w Chinach

Electrolux jest zastrzeżonym znakiem towarowym używanym na licencji firmy AB Electrolux (publ.).

Producent pozostawia za sobą prawo do zmiany konstrukcji i właściwości urządzenia.

Ta instrukcja może zawierać błędy techniczne i pisarskie. Zmiany parametrów technicznych i asortymentu mogą ulec zmianie bez powiadomienia.

Błędy i pomyłki w tekście i liczbach są dozwolone. Konstrukcja i dane techniczne urządzenia mogą różnić się od przedstawionych na opakowaniu. Aby uzyskać więcej informacji, skontaktuj się z konsultantem ds. Sprzedaży.

CONȚINUT

1. INTRODUCERE.....	47
2. ECHIPAMENT	47
3. SCURTĂ DESCRIERE A ÎNCĂLZITORULUI DE APĂ.....	47
4. PANOUL DE CONTROL	48
5. INSTALAREA ÎNCĂLZITORULUI DE APĂ.....	50
6. CONECTARE LA REȚEAUA DE ALIMENTARE CU APĂ.....	50
7. RACORDAREA LA REȚEAUA ELECTRICĂ.....	51
8. EXPLOATARE	52
9. PRECAUȚII.....	52
10. DEPANARE.....	54
11. CARACTERISTICILE TEHNICE	55
12. DIMENSIUNI.....	56
13. SCHEMELE DE CONEXIUNI ALE REȚELELOR ELECTRICE	56
14. ÎNGRIJIRE ȘI ÎNTREȚINERE.....	57
15. TRANSPORT ȘI DEPOZITARE	58
16. RECICLAREA.....	58
17. OBLIGAȚII DE GARANȚIE.....	58
18. DATA DE FABRICAȚIE.....	58

NE GÂNDIM LA DVS

Vă mulțumim pentru că ați achiziționat dispozitivul Electrolux. Ați ales produsul bazat pe zeci de ani de experiență profesională și de inovații. Unic și elegant, produsul a fost proiectat cu grijă pentru dvs. De aceea, oricând nu veți utiliza produsul, puteți fi sigur, că rezultate vor fi întotdeauna excelente.

Bine ați venit la Electrolux!

Pe site-ul nostru puteți găsi:



Puteți găsi recomandări privind utilizarea produselor, instrucțiuni de exploatare, informații privind asistența tehnică la adresa: www.home-comfort.com/support/



La vânzarea echipamentului vânzătorul trebuie să completeze capitolul "Detaliile produsului", care se găsește pe partea interioară a copertii posterioare a prezentelor instrucțiuni de utilizare.



Marcările folosite



Atenție/Informații importante de tehnică a securității



Informații generale și recomandări

Întreținerea de garanție se efectuează în conformitate cu condițiile prezentate în secțiunea „Obligații de garanție”.

Remarcă:

În textul prezentelor instrucțiuni de exploatare, încălzitor de apă electric de stocare poate avea următoarele denumiri tehnice precum, produs, dispozitiv, aparat etc.

Introducere

Încălzitor de apă electric de stocare este destinat pentru încălzirea apei rece provenită din sistemul de alimentare cu apă. Se utilizează exclusiv pentru uz casnic, apa de la încălzitor nu este destinată băuturii și gătitului.

Instalarea și prima punere în funcțiune a încălzitorului de apă trebuie efectuate de un tehnician calificat, care poate fi responsabil pentru instalarea corectă și poate da recomandări cu privire la utilizarea încălzitorului de apă.

La conectare, trebuie respectate standardele și reglementările aplicabile.

Înainte de a instala încălzitorul de apă, asigurați-vă că priza este împământată.

Dacă nu există împământare în priză, este necesară împământarea încălzitorului de apă cu un fir de împământare separat la ieșirea de împământare de pe corpul încălzitorului de apă. În absența împământării, este interzisă instalarea și exploatarea produsului.

Terminalul de împământare este situat pe corpul încălzitorului de apă.



Atenție!

Se interzice utilizarea prizelor portabile.



Atenție!

Instalarea și funcționarea incorectă a încălzitorului electric de apă poate duce la accidente sau la deteriorarea bunurilor.

Echipament

Încălzitorul de apă este echipat cu elemente de bază pentru instalare și conectare.

Setul de încălzitoare de apă Fmx EEC / Fmx DL EEC include:

- încălzitor de apă cu cablu de alimentare + dispozitiv de curent rezidual - 1 buc;
- supapă de siguranță - 1 buc;
- manual de utilizare - 1 buc;
- șablon de montare - 1 buc.
- ancoră de fixare pentru montaj - 2 buc.

Scurtă descriere a încălzitorului de apă

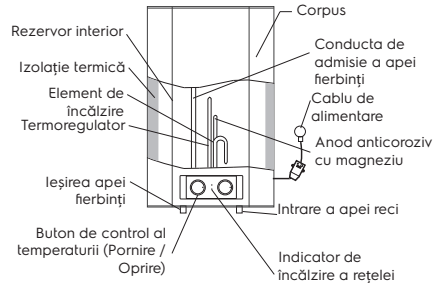


Fig. 1 Fmx EEC

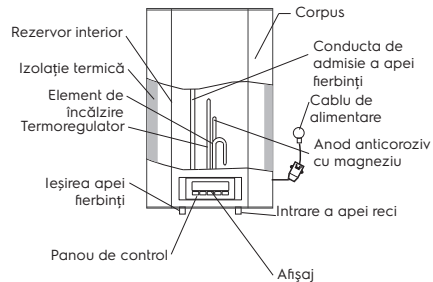


Fig. 2 FmxDL EEC

1. Control automat al temperaturii apei: După ce ați deschis robinetul de apă fierbinte de pe amestecător la ieșirea încălzitorului de apă, apa rece începe să curgă în orificiul de admisie, umplând rezervorul intern. Apa din rezervor se amestecă și temperatura acesteia scade. Senzorul termoregulatorului reacționează la o scădere a temperaturii apei, elementul de încălzire pornește automat și încălzește apa la temperatura setată anterior. Când temperatura atinge valoarea setată, elementul de încălzire este oprit automat.
2. Protecția încălzitorului de apă:
 - protecție la supraîncălzire;
 - protecție anticorozivă;
 - protecție împotriva presiunii hidraulice excesive.
3. Rezervoarele interioare din oțel cu un strat de protecție special sunt realizate conform metodei avansate de emailare uscată electrostatică. Aliajul special al rezervorului interior este rezistent la coroziune și la depunerile de calcar. Acoperirea de protecție a rezervorului interior din smalț de sticlă cu dispersie fină special dezvoltată.

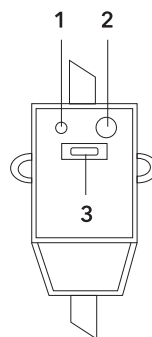
Proprietățile smalțului:

 - capacitate adezivă crescută și plasticitate

- ridicată (întărită la 850 °C);
 - se extinde sau se contractă cu schimbări de temperatură în aceeași proporție ca pereții rezervorului interior, fără a forma microfise, în care poate apărea un centru de coroziune.
4. Elementele de încălzire termică uscată (TEN) sunt fiabile și sigure în funcționare, au o durată de viață lungă. Elementele de încălzire sunt amplasate în carcase metalice de protecție, acoperite cu un strat de smalț de sticlă fin dispersat, care exclude contactul direct al elementelor de încălzire cu apa; prin urmare, pe elementele de încălzire nu se formează depuneri, ceea ce prelungeste durata de funcționare și durata de viață.
 5. Modul (ECO) de pe panoul de control oferă:
 - încălzirea apei la o temperatură confortabilă, aproximativ 50-55 °C;
 - previne depunerea de calcar;
 - crește resursa activității dispozitivului
 6. Izolația termică internă vă permite să mențineți în mod eficient temperatura apei încălzite, minimizează pierderile de căldură și reduce consumul de energie.
 7. Regulatorul de temperatură încorporat: asigură un control constant și fiabil al temperaturii apei.
 8. Gama de reglare a temperaturii de încălzire a apei în modelele Fmx este de la 30 °C până la 75 °C. Temperatura de încălzire este reglată de la stânga la dreapta (în sensul acelor de ceasornic) de la minim la ECO 55 °C la maxim. Temperatura maximă de încălzire a apei la modelele FmxDL este de 75 °C. ECO - modul economic, aproximativ 55 °C. Folosind butoanele de pe panoul de control „+” sau „-” puteți regla temperatura cu o precizie de 1 °C.
 9. Funcționarea și întreținerea simplă și convenabilă a încălzitorului de apă.

RCD (dispozitiv de curent rezidual)

- Prevenirea șocurilor electrice la 100% .
- Urmați instrucțiunile de instalare când conectați încălzitorul electric de apă de stocare.
- Când este conectat la sursa de alimentare, pe partea frontală a RCD se va aprinde indicatorul Power (1) .
- Pentru a testa RCD, apăsați butonul TEST (2).
- Indicatorul de alimentare (1) va fi stins.
- Pentru a reporni RCD, apăsați butonul (3).



Panou de control

Panou de control Fmx EEC

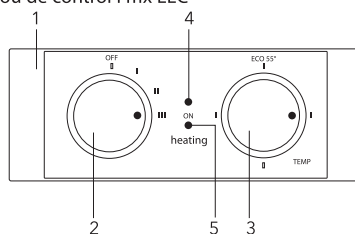


Fig. 3

1. Panou de control.
2. Buton de pornire/oprire («ON»/»OFF») – comutarea nivelurilor de încălzire.
 - — indicatorul «OFF» — oprirea încălzirii.
 - ▮ — indicatorul pornirii încălzirii. Prima treaptă de putere este de 800 de wați.
 - ▮ — indicatorul pornirii celei de-a doua trepte a puterii de încălzire de 1200 W.
 - ▮ — indicatorul pornirii celei de-a treia trepte a puterii de încălzire de 2000 W.
3. Buton de reglare a temperaturii
 - — indicatorul din partea de jos corespunde temperaturii minime a apei din încălzitorul de apă (încălzire oprită).
 - ▮ — indicatorul din stânga corespunde temperaturii minime de încălzire a apei în încălzitorul de apă (încălzire pornită).
 - ECO 55 — indicatorul modului Eco corespunde temperaturii de încălzire a apei în încălzitorul de apă până la 55 °C.
 - ▮ — indicatorul din dreapta corespunde temperaturii maxime de încălzire a apei în încălzitorul de apă (75 °C)
4. Indicatorul „ON” - se aprinde în culoarea verde când încălzitorul de apă este conectat la rețea.
5. Indicatorul „HEATING” - se aprinde în culoarea roșu când elementul de încălzire funcționează și este pornită încălzirea apei.

Panou de control FmxDL EEC

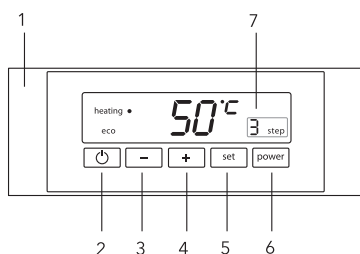


Fig. 4

1. Panou de control.
2. Buton „ON”/”OFF” pentru a porni/opri încălzitorul de apă (încălzire).
3. Buton de reglare a temperaturii — «-» scăderea temperaturii.
4. Buton de reglare a temperaturii — «+» creșterea temperaturii.
5. Butonul «SET»:
 - vizualizarea temperaturii setate;
 - memorează temperatura setată;
 - setează temperatura din memoria încălzitorului de apă
6. Butonul «POWER» — reglează puterea de încălzire
7. Indicarea nivelului de putere de încălzire selectat:
 - 1 nivel - 800 W.
 - 2 nivel - 1200 W.
 - 3 nivel - 2000 W.

Selectarea modului de putere asigură o încălzire rapidă sau permite utilizarea încălzitorului de apă în încăperi cu alimentare limitată.

Conectarea la rețea a modelelor Fmx EEC

Conectați și porniți încălzitorul de apă. Indicatorul se va aprinde. Aceasta înseamnă că încălzitorul de apă este conectat la rețea și este alimentat cu energie electrică. Rotiți butonul de control al temperaturii în sens invers acelor de ceasornic pentru a porni încălzirea. Setati nivelul necesar de încălzire a apei reglând temperatura de încălzire. Indicator „ECO” - modul economic, corespunde unei temperaturi de încălzire de aproximativ 55 °C. Încălzirea apei se oprește automat la atingerea temperaturii setate și pornește automat pentru încălzire. Dacă doriți să opriți încălzirea apei, rotiți butonul de control al temperaturii în poziția „OFF”. Indicatorul ON va fi aprins în timp ce încălzitorul de apă este conectat la rețea. La unele modele, indicatorul luminos va clipi când elementul de încălzire este pornit. Termoregulatorul se va asigura că elementul de încălzire este pornit din nou după ce a fost consumată puțină apă.

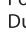
Setarea temperaturii

Intervalul de reglare a temperaturii încălzitorului de apă de la 30 °C (minim) la 75 °C (maxim). Temperatura se setează cu ajutorul regulatorului situat pe panoul frontal al dispozitivului.

Conectarea la rețea a modelelor FmxDL EEC

Conectați încălzitorul de apă la o priză. Boilerul va începe autodiagnosticarea. Indicația de pe afișaj va clipi timp de aproximativ 2 secunde, se va aprinde doar indicarea temperaturii apei din încălzitorul de apă - încălzitorul de apă a trecut în modul «STAND BY». Dacă încălzitorul de apă detectează erori în timpul autodiagnosticării, întregul afișaj va clipi continuu.

Pornirea și setarea temperaturii

După apăsarea butonului  încălzitorul de apă se va porni și indicatorul Heating se va aprinde în culoare roșu, ultima temperatură setată sau temperatura setată la fabrică la prima pornire ECO - 55 °C, va clipi în roșu timp de 2 secunde. După 2 secunde, afișajul temperaturii setate se va opri și va începe încălzirea apei.

Afișajul va arăta temperatura apei din încălzitorul de apă.

Pentru ușurință în utilizare, puteți seta un mod individual de temperatură de încălzire a apei, care va menține încălzitorul de apă de fiecare dată când este pornit.

Apăsăți SET și rețineți 3 secunde.

Temperatura setată va clipi (35°C). Dacă sunteți de acord, apăsați rapid SET o dată pentru a confirma. Temperatura va fi setată în memoria dispozitivului și va începe încălzirea. Dacă doriți să schimbați temperatura, utilizați tastele „+” sau „-”. După selectare, temperatura va clipi timp de 3 secunde, pentru a confirma apăsați rapid pe SET o dată. Dacă nu apăsați SET pentru confirmare, temperatura pe care ați selectat-o va clipi timp de 3 secunde, după care va începe încălzirea, temperatura selectată va fi menținută doar până când încălzitorul de apă este oprit de către utilizator. Temperatura selectată nu va fi reținută.

Apăsând butonul SET timp de 5 secunde (sau 7 secunde) și repetând toate acțiunile menționate mai sus, este posibil să setați încă două valori de temperatură în memoria dispozitivului. Ultima temperatură setată este aceeași pentru toate cele trei moduri de memorie. În timpul încălzirii, va fi afișată temperatura apei din încălzitorul de apă.

Indicatorul de temperatură de pe afișaj arată temperatura apei din încălzitorul de apă. Pentru a vedea ce temperatură este setată în timpul încălzirii, apăsați rapid o dată SET și timp de 3 secunde temperatura setată va fi afișată. După 3 secunde, va fi afișată temperatura apei din încălzitorul de apă.

Când temperatura atinge temperatura setată, indicatorul ÎNCĂLZIRE se va stinge.

Modul anti-îngheț

Pentru a preveni înghețarea apei, încălzitorul de apă începe automat încălzirea atunci când temperatura apei din rezervorul interior scade sub 6°C. Când temperatura ajunge la 10°C, încălzirea se oprește. Funcția dată funcționează atunci când dispozitivul este conectat la sursa de alimentare. Disponibil în seria FmxDL EEC. FmxDL EEC.

Dacă în încăpere va fi întrerupere a curentului

1. Dacă electricitatea se va întrerupe în timpul încălzirii, atunci după ce va fi pornită electricitatea în încăpere, încălzitorul de apă se va porni pentru încălzire, așa cum a fost setat înainte.
2. Dacă încălzitorul de apă nu a fost pornit, a fost în modul „STAND BY”, atunci după ce va fi pornită electricitatea în încăpere, încălzitorul de apă nu va începe încălzirea.

Instalarea încălzitorului de apă



Asigurați-vă că utilizați piesele originale furnizate de producător pentru a instala încălzitorul de apă, care poate susține greutatea încălzitorului de apă plin cu apă. Nu instalați încălzitorul de apă pe suport până când nu sunteți sigur că suportul este instalat în siguranță. În caz contrar, încălzitorul de apă poate cădea de pe perete, provocând daune sau vătămări grave.

Atunci când alegeți loc pentru găuri pentru fixarea șuruburilor, asigurați-vă că există un spațiu de cel puțin 0,2 m pe ambele părți ale pereților băii sau a altei încăperi de la corpul încălzitorului de apă și de cel puțin 0,5 m pe partea conexiunilor conductelor, pentru a facilita accesul la efectuarea întreținerii dacă este necesar.

Dacă încălzitorul de apă primește apă direct din fântâni, puțuri forate sau turnuri de apă, pentru funcționare este obligatoriu să folosiți un filtru grosier, pentru apa rece care intră în încălzitorul de apă.

Un filtru grosier poate fi achiziționat de la magazine specializate. Dacă nu este instalat un filtru grosier, garanția produsului nu este acoperită.

1. Încălzitorul de apă trebuie instalat pe o suprafață verticală solidă (pe perete).
2. După alegerea locației de montare, faceți două găuri în peretele la adâncimea necesară și introduceți șuruburile, rotiți cârligul în sus, strângeți bine piulițele, apoi instalați încălzitorul de apă pe acesta (vezi fig. 5).

Ancoră pentru montaj

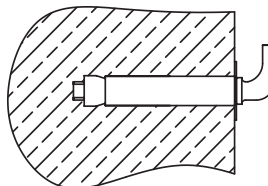


Fig. 5

Volum, L	27	46	73	93
Distanța dintre găuri, mm	196			

3. Dacă baia este prea mică pentru a instala un încălzitor de apă, atunci poate fi instalat în orice altă încăpere ferită de lumina directă a soarelui și de ploaie. Dar, pentru a reduce pierderile de căldură din conductă, încălzitorul de apă trebuie instalat cât mai aproape de locul în care este utilizată apa.
4. La conectarea la un sistem de alimentare cu apă, este necesar să se asigure și să se pună în aplicare instalarea unor ventile individuale de închidere pe linia de alimentare cu apă rece la încălzitorul de apă și pe linia de ieșire a apei calde. Ventilele de închidere individuale de pe linia de apă caldă și rece trebuie închise în perioada de neutilizare a încălzitorului de apă, întreținere și lucrări tehnologice pe linia de alimentare cu apă. Instalarea și utilizarea corectă a ventilelor de închidere sunt o condiție prealabilă pentru furnizarea de servicii în garanție, precum și o garanție a funcționării pe termen lung și fără probleme a încălzitorului de apă.

Conectare la rețeaua de alimentare cu apă

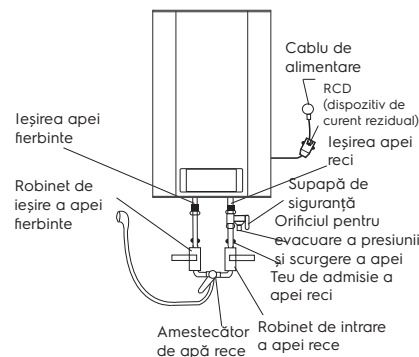


Fig. 6

1. Pentru conectarea încălzitorului de apă la alimentarea cu apă, se utilizează conducte cu diametrul G1/2.
2. Conectarea unei supape de siguranță de refluxare: supapa trebuie instalată la intrarea apei reci (asigurați-vă că conducta flexibilă de scurgere este instalată, la orificiul de presiune și de scurgere a apei și direcționată în jos către un drenaj special pentru a îndepărta apa).
3. Pentru a evita scurgerile la conectarea conductei, pe capetele conexiunilor filetate trebuie fixate garnituri din cauciuc din set.
4. Dacă este necesar să implementați un sistem de alimentare cu apă pentru mai multe puncte de apă, utilizați metoda de conectare (vezi fig. 7).
5. Dacă presiunea din conductă poate depăși 5 bar, trebuie instalat un reductor de presiune a apei în mod obligatoriu. În lipsa unui reductor de presiune și a presiunii excesive în conducta de apă rece, aparatul nu va fi deservit în garanție.

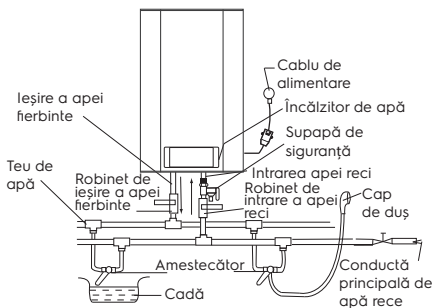


Fig. 7

6. Instalarea încălzitoarelor de apă din seria Fmx, Fmx DL este mult facilitată de posibilitatea de a le instala atât pe verticală cât și pe orizontală oriunde în casa Dumneavoastră, într-o cameră încălzită. Este de dorit să instalați încălzitorul de apă cât mai aproape de locul în care se folosește apa caldă, deoarece cu cât conductele sunt mai scurte, cu atât pierderile de căldură sunt mai mici. La instalarea orizontală a încălzitorului de apă, conductele de alimentare trebuie să fie amplasate în stânga. Când instalați încălzitorul de apă lângă un perete, lăsați spațiul liber recomandat pentru întreținere. Nu instalați încălzitorul de apă pe o suprafață orizontală și aproape de podea. (vezi fig. 8)

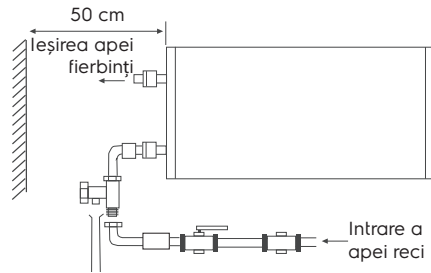


Fig. 8

Racordarea la rețeaua electrică

Toate încălzitoarele de apă din această serie sunt proiectate pentru a fi conectate la o rețea electrică cu tensiune monofazată de 220/240 W. Înainte de conectare, asigurați-vă că parametrii rețelei electrice la punctul de conectare corespund parametrilor indicați pe plăcuța tehnică a dispozitivului.

La instalarea încălzitorului de apă, trebuie respectate reglementările actuale de siguranță electrică.

La instalarea încălzitorului de apă în baie sau toaletă, trebuie luate în considerare restricțiile legate de existența unor volume interzise și de protecție.

Volumul interzis — este spațiul delimitat de planuri tangențiale și verticale în raport cu marginile exterioare ale băii, toaletei sau unității de duș și de un plan situat deasupra lor sau deasupra podelei, dacă instalația sanitară este instalată pe podea, la o înălțime de 2.25 m.

Volumul de protecție — este spațiul, ale cărui planuri orizontale limitative coincid cu planurile volumului interzis, iar planurile verticale sunt la 1 m distanță de planurile corespunzătoare ale volumului interzis.

Date calculate pentru cupru Selectarea secțiunii transversale a cablului (firului) după putere și lungime din cupru, $U = 220\text{ W}$, o fază

P, kWh	1	2	3	3,5	4	6	8
I, A	4,5	9,1	13,6	15,9	18,2	27,3	36,4
Secțiunea conductorului, mm ²	1	1	1,5	2,5	2,5	4	6
Lungimea maximă admisă a cablului la secțiunea transversală specificată, m	34,6	17,3	17,3	24,7	21,6	23	27

Exploatare

Umplerea cu apă

După instalarea încălzitorului de apă, închideți orificiul de alimentare cu apă caldă în apartament, deschideți supapa de alimentare cu apă rece. Deschideți robinetul de apă fierbinte de pe amestecător. De îndată ce încălzitorul de apă este plin, apa va curge din acesta, închideți robinetul de apă fierbinte de pe amestecător și asigurați-vă că nu există scurgeri. Dacă nu sunteți sigur dacă există apă în încălzitorul de apă, nu conectați la rețeaua electrică.

Precauții

Setarea temperaturii

Diapazonul de control al temperaturii încălzitorului de apă este de la 30 °C (minim) la 75 °C (maxim). La modelele din seria Fmx EEC / Fmx DL EEC, temperatura este setată utilizând butonul de reglare a temperaturii de pe capacul inferior al dispozitivului.

1. Priza de alimentare trebuie să fie împământată corespunzător. Curentul nominal al prizei trebuie să fie de cel puțin 10 A. Priza și fișa trebuie să fie întotdeauna uscate pentru a preveni un scurtcircuit în rețeaua electrică. Verificați periodic dacă fișa electrică este bine introdusă în priză. Metoda de testare este următoarea: introduceți fișa electrică în priză, după o jumătate de oră, opriți încălzitorul de apă și scoateți fișa electrică din priză. Atrageți atenția dacă fișa electrică este caldă la atingere. Dacă simțiți cu mâna că este caldă (la temperaturi peste 50 °C), vă rugăm să înlocuiți priza cu alta în care fișa se potrivește perfect. Acest lucru vă va ajuta să preveniți incendiul, deteriorarea fișei sau alte accidente datorate contactului deficitar.
2. Peretele pe care urmează să fie instalat încălzitorul de apă trebuie să fie proiectat pentru o încărcare de două ori mai mare decât greutatea totală a încălzitorului de apă umplut cu apă. În caz contrar, ar trebui luate măsuri suplimentare pentru întărirea produsului.
3. Supapa de siguranță trebuie instalată la orificiul de alimentare cu apă (vezi fig. 9).
4. Când folosiți încălzitorul de apă pentru prima dată (sau când îl utilizați pentru prima dată după întreținere sau curățare), nu porniți încălzitorul de apă până când nu este complet umplut cu apă. În timp ce umpleți rezervorul încălzitorului de apă, deschideți robinetul de apă caldă pentru a elibera aerul. De îndată ce rezervorul este umplut cu apă și apa curge din robinet, robinetul poate fi închis.
5. Când apa se încălzește, poate ieși apă din orificiul de presiune al supapei de siguranță. Aceasta este normal. Cu toate acestea, în caz de scurgeri mari, contactați tehnicianul de service. Presiunea nu trebuie blocată în niciun caz; în caz contrar, poate deteriora încălzitorul de apă.
6. Tubul de scurgere trebuie să fie instalat pe orificiul de evacuare a presiunii din supapa de siguranță și să fie condus în jos de scurgere în cazul în care apa este evacuată. Tubul de scurgere conectat la ieșirea de presiune trebuie să fie orientat în jos.
7. Deoarece temperatura apei din interiorul încălzitorului de apă poate ajunge la 75°C, apa fierbinte nu ar trebui să pătrundă pe corpul uman. Pentru a evita arsurile, puteți regla temperatura apei folosind robinetul amestecătorului.
8. În caz de absență prelungită, efectuarea de reparații, lucrări tehnologice și preventive pe linia de alimentare cu apă sau neutilizarea pe termen lung a încălzitorului de apă, este obligatoriu să închideți supapele individuale de închidere de pe linia de alimentare cu apă rece la încălzitorul de apă și pe linia de ieșire caldă, precum și să opriți încălzitorul de apă și să vă deconectați de la sursa de alimentare prin scoaterea ștecherului

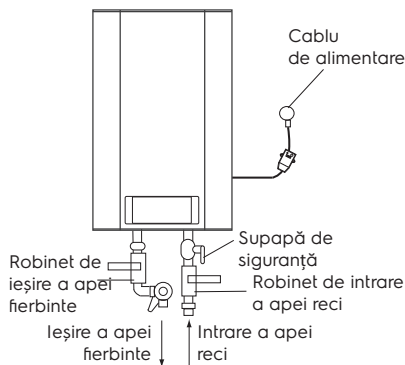


Fig. 9

- din priză.
9. În cazul utilizării încălzitorului de apă în încăperi cu alimentare centralizată cu apă, în timpul perioadei de oprire a apei calde, închideți robinetul de închidere pentru alimentarea cu apă caldă de pe liniile de alimentare (coloană de distribuție a apei).
 10. Puteți scurge apa din încălzitorul de apă folosind supapa de siguranță, în timp ce opriți alimentarea cu apă rece a încălzitorului de apă și deschideți valva de scurgere de pe supapa de siguranță. În acest caz, apa de la încălzitorul de apă trebuie evacuată prin orificiul de scurgere din supapă în sistemul de canalizare (când scurgeți apa, deschideți robinetul de apă fierbinte de pe amestecător pentru a elibera aer).

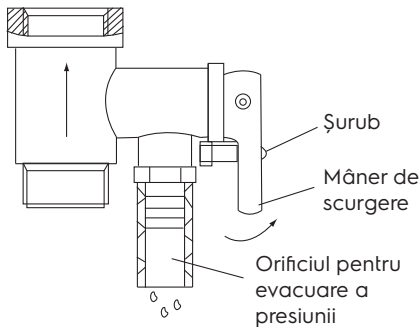


Fig. 10

11. În cazul unei defecțiuni a cablului de alimentare flexibil, înlocuiți-l cu unul similar furnizat de producător. Înlocuirile trebuie efectuate de către tehnicienii de service cu experiență.
12. În cazul deteriorării uneia dintre părțile încălzitorului de apă, este necesar să contactați specialiștii de întreținere pentru reparații. Utilizați numai piese de schimb furnizate de producător.
13. Acest dispozitiv nu este destinat utilizării de către persoane (inclusiv copii) cu capacități fizice sau mentale reduse și lipsă de abilități sau cunoștințe, cu excepția cazului în care este prezentat sau instruit corect de către o persoană responsabilă pentru siguranța lor.
14. Încălzitorul de apă ar trebui să fie complet golit de apă dacă nu va fi folosit pentru o lungă perioadă de timp sau temperatura din camera în care este instalat poate scădea sub 0 °C.

Depanare

Refuzuri	Motivale	Eliminare
Indicatorul de încălzire este oprit	Eroare a regulatorului de temperatură	Contactați un tehnician de service pentru reparații
Apa nu provine de la robinetul de apă fierbinte	<ol style="list-style-type: none"> 1. Alimentarea cu apă prin conductă de apă este oprită 2. Presiunea apei este prea mică 3. Supapa de admisie a apei este închisă 	<ol style="list-style-type: none"> 1. Așteptați să se reia alimentarea cu apă 2. Utilizați încălzitorul de apă atunci când presiunea apei va crește din nou 3. Deschideți robinetul de intrare a apei
Temperatura apei depășește nivelul permis	Defecțiunea sistemului de control al temperaturii	<ol style="list-style-type: none"> 1. Este necesar să opriți imediat încălzitorul de apă din rețea 2. Contactați tehnicienii de service pentru a efectua reparația
Nu se încălzește apa	Încălzirea nu este pornită	<p>Comutați butonul «ON / OFF» (pornire/oprire) în poziția joasă (low)</p> <ol style="list-style-type: none"> 1. Deconectați încălzitorul de apă de la rețea 2. Răciți încălzitorul de apă prin deschiderea unui robinet cu apă fierbinte și menținându-l deschis până când temperatura apei va scăde 3. Scoateți capacul 4. Apăsăți butonul mic de pe corpul întrerupătorului de siguranță 5. Puneți la loc capacul și reconectați dispozitivul la rețea 6. Dacă problema persistă, contactați tehnicianul de service
	S-a declanșat senzorul termic de protecție	
	Elementul de încălzire este deteriorat	Contactați un tehnician de service
	Placa electronică este defectă	Contactați un tehnician de service
Scurgere de apă	Etanșare defectă a țevii	Înlocuiți garnitura de etanșare
Toate indicatoarele clipească mai mult de 10 secunde	Posibile erori în funcționarea încălzitorului de apă	Opriti încălzitorul de apă din rețea și porniți-l din nou. Dacă afișajul clipește din nou mai mult de 10 secunde, apelați un tehnician de service.

Caracteristicile tehnice

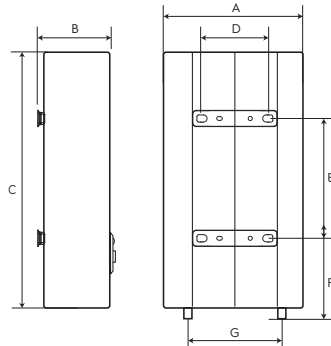
Model	EWH 30 Fmx EEC	EWH 50 Fmx EEC	EWH 80 Fmx EEC	EWH 100 Fmx EEC
Volum, l	27	46	73	93
Putere nominală, Wt	2000	2000	2000	2000
Tensiunea curentului electric, V~Hz	220-240~50	220-240~50	220-240~50	220-240~50
Intesitatea curentului, A	9.09	9.09	9.09	9.09
Tensiunea minimă, Bar	0,8	0,8	0,8	0,8
Tensiunea maximă*, Bar	7.5	7.5	7.5	7.5
Temperatura maximă a apei, °C	75	75	75	75
Clasa protecției electrice	I clasa	I clasa	I clasa	I clasa
Nivelul de protecție	IPX4	IPX4	IPX4	IPX4
Timp de încălzire de la 10 °C până la 75 °C**, min.	71.4	119.04	190.8	238.8
Dimensiunile aparatului (L×H×A), mm	344×545×359	344×825×359	454×729×469	454×879×469
Dimensiunile ambalajului (L×H×A), mm	429×640×429	429×920×429	539×849×539	539×999×539
Masa netto/brutto, kg	16.08/17.75	22.08/24.09	27.17/31.21	31.76/35.8

Model	EWH 30 FmxDL EEC	EWH 50 FmxDL EEC	EWH 80 FmxDL EEC	EWH 100 FmxDL EEC
Volum, l	27	46	73	93
Putere nominală, Wt	2000	2000	2000	2000
Tensiunea curentului electric, V~Hz	220-240~50	220-240~50	220-240~50	220-240~50
Intesitatea curentului, A	9.09	9.09	9.09	9.09
Tensiunea minimă, Bar	0,8	0,8	0,8	0,8
Tensiunea maximă*, Bar	7.5	7.5	7.5	7.5
Temperatura maximă a apei, °C	75	75	75	75
Clasa protecției electrice	I clasa	I clasa	I clasa	I clasa
Nivelul de protecție	IPX4	IPX4	IPX4	IPX4
Timp de încălzire de la 10 °C până la 75 °C**, min.	71.4	119.04	190.8	238.8
Dimensiunile aparatului (L×H×A), mm	344×545×359	344×825×359	454×729×469	454×879×469
Dimensiunile ambalajului (L×H×A), mm	429×640×429	429×920×429	539×849×539	539×999×539
Masa netto/brutto, kg	16.06/17.65	22.09/24.1	24.1/28.22	31.77/35.31

* La presiunea maximă, excesul de presiune este eliberat prin supapa de siguranță. Dacă presiunea de alimentare cu apă depășește 7.5 bari (presiune nominală de lucru), trebuie instalată o supapă de reducere a presiunii.

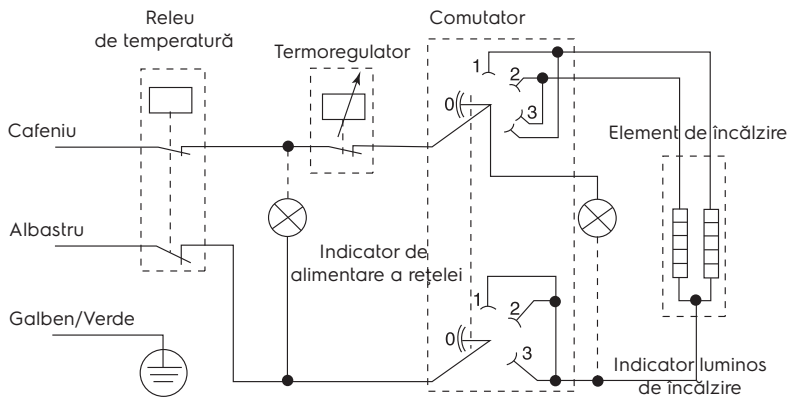
** Timpul de încălzire se bazează pe puterea totală de încălzire și se calculează în condiții ambientale ideale.
Producătorul își rezervă dreptul de a introduce schimbări.

Dimensiuni

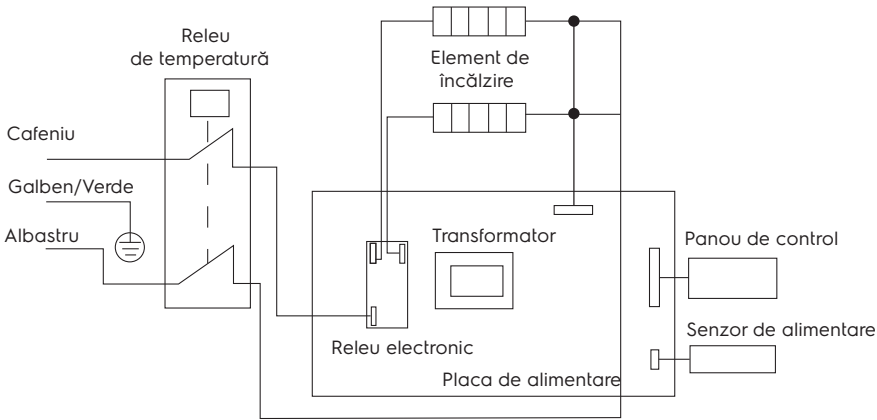


	EWH 30 FMX EEC/FMX DL EEC	EWH 50 FMX EEC/FMX DL EEC	EWH 80 FMX EEC/FMX DL EEC	EWH 100 FMX EEC/FMX DL EEC
A, MM	344	344	454	454
B, MM	359	359	469	469
C, MM	545	825	729	879
D, MM	196	196	196	196
E, MM	253	401	297	447
F, MM	174	172	281	278
G, MM	100	100	100	100

Schemele de conexiuni ale rețelelor electrice EWH Fmx EEC



Schemele de conexiuni ale rețelelor electrice EWH FmxDL EEC



Îngrijire și întreținere

**Atenție!**

Deconectați întotdeauna încălzitorul de apă de la rețea înainte de întreținere.

Pentru a asigura o durată de viață lungă și pentru a menține garanția valabilă pentru rezervorul intern care conține apă, este necesar să se efectueze lucrări de întreținere de către specialiști calificați nu mai târziu de un an de la începerea funcționării, care ar trebui să includă o verificare obligatorie a prezenței scării pe elementul de încălzire și în cavitatea interioară a rezervorului care conține apă, și a stării anodului de magneziu. În caz de uzură severă, anodul de magneziu trebuie înlocuit. Garanția pentru recipientul care conține apă și elementul de încălzire în cazul unui anod uzat (volum rezidual mai mic de 30% din original) este nevalabilă.

Pe baza rezultatelor inspecției specialiștilor de apă în timpul primei întrețineri, se stabilește frecvența întreținerii regulate, care trebuie respectată pe întreaga perioadă de funcționare a dispozitivului. În cazul unei schimbări a adresei de funcționare a dispozitivului, precum și a unor modificări ale condițiilor de funcționare (calitatea apei) relevate ca urmare a întreținerii regulate, regularitatea întreținerii poate fi revizuită.

Întreținerea este confirmată de un articol completat în tabelul de întreținere.

În zonele cu apă deosebit de dură, cu apă care conține impurități corozive, poate fi necesară efectuarea acestui test mai des. Pentru a face acest lucru, trebuie să obțineți informațiile adecvate de la un

specialist sau direct la compania care furnizează apă! În cazul în care nu a fost efectuată nicio întreținere sau cu uzura / absența completă a anodului de magneziu în încălzitorul de apă, garanția pentru încălzitorul de apă va fi anulată.

**Atenție!**

Acumularea de scară pe elementul de încălzire și prezența sedimentului în rezervorul intern pot duce la defectarea încălzitorului de apă și constituie baza refuzului de service în garanție. Întreținerea regulată este o măsură preventivă și nu este acoperită de garanție.

Nu este permisă instalarea întrerupătoarelor, prizelor în zona interzisă și corpurile de iluminat. Instalarea comutatoarelor este interzisă în volumul de protecție, cu toate acestea, pot fi instalate prize cu împământare.

Încălzitorul de apă trebuie instalat în afara volumului interzis, astfel încât să nu fie expus jeturilor de apă. Aparatul trebuie să fie conectat la rețea printr-o priză dedicată cu împământare conectată la un întrerupător individual din tablou.

Pentru a asigura funcționarea în condiții de siguranță a încălzitorului de apă, trebuie instalată o mașină automată de calificare adecvată. Conexiunea la rețeaua electrică trebuie să includă o conexiune la pământare. Fișa cablului de alimentare a încălzitorului de apă cu o priză specială pentru împământare trebuie introdusă numai în priză. Regulator de temperatură de încălzire. Pentru utilizare zilnică, este recomandabil să mențineți încălzitorul de apă conectat, deoarece termoregulatorul

pornește încălzirea numai atunci când este necesar pentru a menține temperatura setată. Scurgerea apei. Încălzitorul de apă ar trebui să fie complet golit de apă dacă nu va fi folosit pentru o lungă perioadă de timp sau temperatura din camera în care este instalat poate scădea sub 0 °C. Scurgerea se poate face cu o supapă de siguranță, prin care este posibilă scurgerea de sub tija supapei.



Atenție!

Pentru scurgere, între supapă și manșon poate fi prevăzut un teu cu ventil.

Înainte de a scurge apa din încălzitorul de apă, nu uitați să:

- deconectați încălzitorul de apă de la rețea;
- închideți supapa de admisie a apei;
- deschideți robinetul de apă fierbinte. Întrețineți încălzitorul dvs. de apă în mod regulat cu ajutorul specialiștilor de la centrul de service autorizat.



Atenție!

Nici într-un caz nu scoateți niciodată capacul încălzitorului de apă fără a-l deconecta mai întâi de la sursa de alimentare.

Serviciul de garanție se efectuează în conformitate cu obligațiile de garanție enumerate pe cardul de garanție. Producătorul își rezervă dreptul de a face modificări în designul și caracteristicile dispozitivului, fără o notificare prealabilă.

Transport și depozitare

Încălzitoarele de apă din ambalajul producătorului pot fi transportate prin toate tipurile de transport acoperit în conformitate cu regulile pentru transportul de mărfuri în vigoare pentru acest tip de transport. Condițiile de transport la o temperatură de la minus 50 la plus 50°C și la o umiditate relativă de până la 80% la plus 25°C).

În timpul transportului, orice lovituri și mișcări posibile a pachetelor cu încălzitoare de apă în interiorul vehiculului trebuie excluse. Transportul și stivuirea trebuie efectuate în conformitate cu semnele de manipulare indicate pe ambalaj. Încălzitoarele de apă trebuie depozitate în ambalajul producătorului în condiții de depozitare de la + 1°C la + 40°C și umiditate relativă de până la 80% la 25°C).

Reciclarea



Dispozitivul a cărui perioadă de utilizare a expirat nu poate fi reciclat împreună cu deșeurile casnice (2012/19/EU).

Obligații de garanție

Întreținerea de garanție se efectuează în conformitate cu condițiile prezentate în secțiunea „Obligații de garanție”.

Garanția:

- Perioada de garanție pentru produs este de doi ani de la data achiziției. Dacă în decursul acestei perioade de garanție de doi ani vor apărea anumite defecțiuni cauzate de lipsurile materialelor și/sau fabricației, produsul va fi reparat sau înlocuit.
- Reparațiile gratuite sau înlocuirea gratuită sunt posibile numai dacă sunt furnizate dovezi convingătoare, de exemplu, o chitanță care confirmă că ziua în care se solicită întreținerea tehnică, se află în decursul perioadei de garanție.
- Garanția nu acoperă produsele și/sau părțile produsului care sunt supuse uzurii, care pot fi considerate consumabile conform naturii lor sau care sunt fabricate din sticlă.
- Garanția nu este valabilă dacă defectul este cauzat de o deteriorare cauzată de o utilizare necorespunzătoare, de o întreținere deficitară (de exemplu, defecțiunea a apărut din cauza intrării unor obiecte străine sau contactului cu lichide) sau dacă au s-au efectuat modificări sau reparații de către persoane neautorizate de Producător.
- Pentru utilizarea corectă a produsului, utilizatorul trebuie să respecte cu strictețe toate instrucțiunile incluse în manualul de utilizare și trebuie să se abțină de la orice acțiune sau manipulare care este descrisă ca nedorită sau care este indicată în manualul de utilizare.
- Aceste limitări de garanție nu afectează drepturile dumneavoastră legale.

Asistența:

Asistența în perioada de garanție și după expirarea ei poate fi primită în toate țările, unde produsul este distribuit oficial. Adresați-vă vânzătorului pentru asistență.

Data de fabricație

Data de fabricație este indicată pe autocolantul de pe corpul produsului și este, de asemenea, criptată

în Codul 128.

Data de fabricație se stabilește după cum urmează:

SN XXXXXXXX XXXX XXXXXXXX XXXXXX

luna și anul de fabricație

Nu îndepărtați și urmăriți integritatea numărului de serie pe aparat. Pierderea sau deteriorarea etichetei cu numărul seriei nu va permite în caz de nevoie, reînnoirea datei fabricației.

Producător/Importator: CladSwiss AG,
Bahnhofstrasse 27, 6300 Zug, Elveția
E-mail: info@cladswiss.com

Fabricat în China

Electrolux este o marcă înregistrată folosită sub licența AB Electrolux (publ.).

Producătorul își rezervă dreptul să modifice construcția și caracteristicile dispozitivului.

Textul și desemnările digitale/numerice din manualul de instrucțiuni pot conține erori tehnice și erori de tipărire. Modificările specificațiilor tehnice și a asortimentului se pot realiza fără o notificare prealabilă.

Sunt admise erori și greșeli de scriere în texte și desemnări numerice.
Design-ul și datele tehnice ale dispozitivului pot diferi de cele prezentate pe ambalaj.
Vă rugăm să contactați consultantul de vânzări pentru a primi informații detaliate.

СЪДЪРЖАНИЕ

1. ВЪВЕДЕНИЕ.....	61
2. КОМПЛЕКТАЦИЯ.....	61
3. КРАТКО ОПИСАНИЕ НА БОЙЛЕРА	61
4. КОНТРОЛЕН ПАНЕЛ.....	62
5. МОНТАЖ НА БОЙЛЕРА.....	64
6. СВЪРЗВАНЕ С ВОДОПРОВОД.....	65
7. СВЪРЗВАНЕ КЪМ ЕЛЕКТРИЧЕСКА МРЕЖА	66
8. ЕКСПЛОАТАЦИЯ.....	66
9. ПРЕДПАЗНИ МЕРКИ.....	66
10. ОТСТРАНЯВАНЕ НА НЕИЗПРАВНОСТИ.....	68
11. ТЕХНИЧЕСКИ ХАРАКТЕРИСТИКИ.....	69
12. СХЕМА ЗА ЕЛЕКТРИЧЕСКИ СЪЕДИНЕНИЯ	70
13. ГАБАРИТНИ РАЗМЕРИ.....	70
14. ГРИЖИ И ТЕХНИЧЕСКО ОБСЛУЖВАНЕ.....	71
15. ТРАНСПОРТ И СЪХРАНЕНИЕ.....	72
16. РЕЦИКЛИРАНЕ	72
17. ГАРАНЦИОННИ ЗАДЪЛЖЕНИЯ	72
18. ДАТА НА ПРОИЗВОДСТВО.....	73

НИЕ МИСЛИМ ЗА ВАС

Благодарим ви, че закупихте уред Electrolux. Избрахте продукт, който носи със себе си десетилетия професионален опит и нововъведения. Оригинален и стилизиран, той е създаден с мисъл за вас. Така че, когато и да го използвате, можете да сте сигурни, че ще получите невероятни резултати по всяко време.

Добре дошли в Electrolux!

Посетете нашия уебсайт, за да:



Получите препоръки за използването на продукти, ръководства за експлоатация, информация за техническа поддръжка:
<http://www.home-comfort.com/support/>



При продажба на уреда, продавачът трябва да попълни раздела "Информация за продукта", разположен от вътрешната страна на задната корица на това ръководство за експлоатация.



Използвани символи



Внимание/Важна информация за безопасност



Обща информация и препоръки

Гаранционното обслужване се извършва в съответствие с условията, дадени в раздел «Гаранционни задължения».

Забележка:

В текста на това ръководство, акумулиращ електрически бойлер може да има такива технически имена като уред, устройство, апарат и други.

Въведение

Електрическият бойлер от акумулаторен тип е предназначен за нагряване на студена вода, постъпваща от водоснабдителната система. Използва се изключително за битови цели, водата от бойлера не е предназначена за пиене и готвене. Монтажът и първото пускане на бойлера трябва да се извършват от квалифициран специалист, който може да отговаря за правилен монтаж и да дава препоръки за използването на бойлера.

При свързване трябва да се спазват приложените стандарти и разпоредби. Преди да инсталирате бойлера, уверете се, че контактът е заземен.

Ако няма заземяване в контакта, е необходимо да заземите бойлера с отделен заземяващ проводник към клемата за заземяване на корпуса на бойлера. При липса на заземяване е забранено инсталирането и експлоатацията на продукта. Заземителният терминал се намира на корпуса на бойлера.



Внимание!

Не използвайте преносими контакти



Внимание!

Неправилен монтаж и експлоатация на електрическият бойлер може да доведе до злополуки или материални щети.

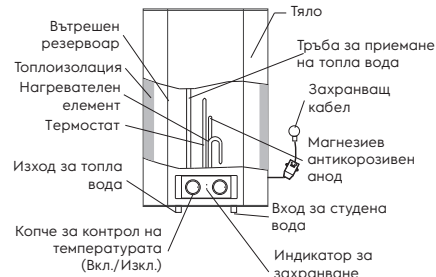
Комплектация

Бойлерът е снабден с основни елементи за монтаж и свързване.

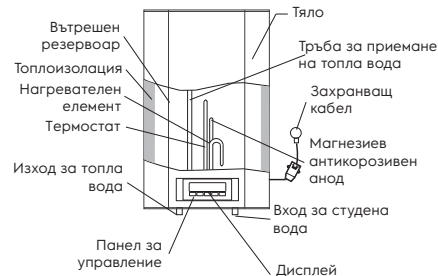
Комплектът бойлери Fmx EEC / Fmx DL EEC включва:

- бойлер със захранващ кабел + устройство за остатъчен ток- 1 бр.;
- предпазен клапан - 1 бр.;
- ръководство за потребителя - 1 бр.;
- монтажен шаблон - 1 бр.;
- фиксиращ анкер за монтаж - 2 бр.;

Кратко описание на бойлера



Фиг. 1 Fmx EEC



Фиг. 1 FmxDL EEC

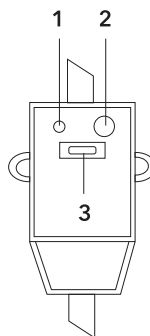
1. Автоматичен контрол на температурата на водата:
След като отвори крана за гореща вода на смесителя на изхода на бойлера, студената вода започва да тече във входа, запълвайки вътрешния резервоар. Водата в резервоара се смесва и нейната температура се намалява. Сензорът на термостата реагира на намаляването в температурата на водата, нагревателният елемент (TEN) автоматично се включва и загрева водата до предварително зададената температура.
2. Защита на бойлера:
 - защита от прегряване;
 - защита от корозия;
 - защита срещу прекомерно хидравлично налягане.
3. Стоманените вътрешни резервоари със специално защитно покритие са направени съгласно усъвършенствания метод за електростатично сухо емайлиране. Специалната сплав на вътрешния резервоар е устойчива на корозия и котлен камък. Защитно покритие на вътрешния резервоар, изработено от специално разработен фино диспергиран стъклен емал

Свойства на емайла:

- повишена адхезивна способност и висока пластичност (закален при 850 °C);
 - разширява се или се свива при внезапни температурни промени в същата пропорция като стените на вътрешния резервоар, без да се образуват микропукнатини, в които може да възникне център на корозия.
- Суши топлинни нагревателни елементи са надеждни и безопасни при работа, имат дълъг експлоатационен живот. Сухите топлинни нагревателни елементи са поставени в защитни метални кожуси, покрити със слой от фино диспергиран стъклен емайл, който изключва директен контакт на нагревателните елементи с вода, съответно върху нагревателните елементи не се образува котлен камък, което увеличава ресурса на тяхната работа и удължава експлоатационен живот.
 - Режимът (ECO) на контролния панел осигурява:
 - нагриване на вода до комфортна температура, около 50–55 °C;
 - предотвратява образуването на котлен камък;
 - увеличава ресурса на устройството
 - Вътрешната топлоизолация ви позволява ефективно да поддържате температурата на нагрятата вода, да минимизирате топлинните загуби и да намалите консумацията на енергия.
 - Вграден температурен контролер: осигурява постоянен и надежден контрол на температурата на водата.
 - Диапазонът на регулиране на температурата на нагриване на водата в моделите Fmx е от 30 °C до 75 °C. Температурата на нагриване се регулира от ляво на дясно (по часовниковата стрелка) от минимум до икономичен режим ECO 55 °C до максимум. Максималната температура на нагриване на водата в моделите Fmx DL е 75 °C. ECO е икономичен режим, около 55°C. С помощта на бутоните на панела за управление «+» или «-» можете да регулирате температурата с точност до 1 °C.
 - Лесна и удобна експлоатация и поддръжка на бойлера.
- RCD (устройство за остатъчен ток)**
- 100% предотвратяване на токов удар.
 - Следвайте инструкциите за монтаж, когато свързвате електрически бойлер за съхранение.
 - Когато се свърже към електрическата

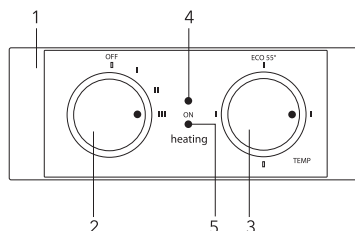
мрежа, върху предната страна на RCD ще светне индикаторът Power (1).

- За да тествате RCD, натиснете бутона TEST (2). Индикаторът Power(1) ще изгасне.
- За да рестартирате RCD, натиснете бутон (3).



Контролен панел

Панел за управление Fmx EEC



Фиг. 3

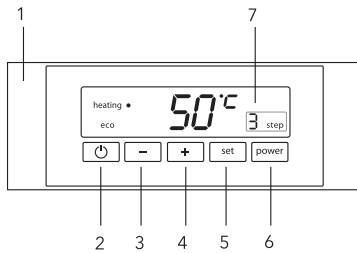
- Панел за управление.
- Дръжка за включване/изключване («ON»/«OFF») – превключване на стъпките на нагриване.
 - – икона «OFF» – изключване на нагриване.
 - – икона на включване на нагриване. Първата степен на мощност е 800 Вт.
 - – икона за включване на втората степен на нагриване е 1200 Вт
 - – икона за включване на третата нагревателна мощност от 2000 Вт.
- Дръжка за регулиране на температура
 - – икона в долната част съответства на минималната температура на водата в бойлера (изключване на нагриване).
 - – икона вляво съответства на минималната температура на нагриване на водата в бойлера (включване на нагриване).

ECO 55 — икона на еко режим
 I — съответства на температурата на нагриване на водата в бойлера до 55 °C.

II — икона отрядно съответства на максималната температура на нагриване на водата в бойлера (75 °C)

- Индикатор «ON» — свети зелено, когато бойлерът е свързан към мрежата.
- Индикатор «HEATING» — свети червено, когато работят нагревателният елемент и нагриването на водата.

Панел за управление FmxDL EEC



Фиг. 4

- Панел за управление.
- Бутон «ON»/»OFF» за включване/ изключване на бойлера (нагриване).
- Бутон за регулиране на температура — «-» понижаване на температура.
- Бутон за регулиране на температура — «+» повишаване на температура.
- Бутон «SET»:
 - преглед на зададената температура;
 - запаметяване на зададената температура;
 - задаване на температурата от паметта на бойлера.
- Бутон «POWER» — регулиране на мощността на нагриване.
- Индикация на избраната степен на нагревателна мощност:
 - 1 степен — 800 Вт.
 - 2 степен — 1200 Вт.
 - 3 степен — 2000 Вт.

Изборът на режим на мощност осигурява бързо нагриване или позволява използването на бойлера в помещения с ограничена мощност на електрическа мрежа.

Свързване към мрежа от модели FmxEES

Свържете щепсела към контакта и включете бойлера. Индикаторът ще светне. Това означава, че бойлерът е свързан към

електрическата мрежа и се захранва с електрически ток. Завъртете копчето за контрол на температурата обратно на часовниковата стрелка, за да включите нагриване. Задайте необходимото ниво на нагриване на водата чрез регулиране на температурата на нагриване. Индикатор «ECO» - икономичен режим, съответства на температура на нагриване от около 55 °C. Нагриването на водата се изключва автоматично при достигане на зададената температура и се включва автоматично за нагриване. Ако искате да изключите нагриването на водата, завъртете копчето за контрол на температурата в положение «OFF». Индикаторът за включване ще свети, докато бойлерът е свързан към електрическата мрежа. При някои модели индикаторът ще мига, когато нагревателният елемент е включен. Термостатът ще осигури повторно включване на нагревателния елемент след изразходване на малко количество вода.

Задаване на температура

Диапазон за регулиране на температурата на бойлера от 30 °C (минимум) до 75 °C (максимум). Температурата се задава с помощта на регулатора, разположен на предния панел на уреда.

Свързване към мрежа от модели FmxDL EEC

Поставете щепсела на бойлера в контакт. Бойлерът ще започне самодиагностика. Индикацията на дисплея ще мига за около 2 секунди, ще светне само индикацията за температурата на водата в бойлера - бойлерът е превключил в режим на очакване «STAND BY». Ако бойлерът открие някакви грешки по време на самодиагностиката, целата индикация ще мига непрекъснато.

Включване и задаване на температурата

След натискане на бутоната (I) бойлерът ще се включи и индикаторът Heating ще свети червено, последната зададена температура или фабричната настройка ECO - 55 °C, зададена при първото стартиране, ще мига в червено за 2 секунди. След 2 секунди индикацията на зададената температура ще изгасне и нагриването на водата ще започне. Дисплеят ще покаже температурата на водата в бойлера. За по-лесно използване можете да зададете индивидуален температурен

режим на нагряването на водата, който бойлерът ще поддържа при всяко включване.

Натиснете SET и задръжте за 3 секунди. Зададената температура ще мига (35°C). Ако сте съгласни, натиснете бързо веднъж SET, за да потвърдите. Температурата се задава в паметта на уреда и нагряването ще започне. Ако искате да промените температурата, използвайте бутоните "+" или "-". След избора температура ще мига за 3 секунди, бързо натиснете SET веднъж, за да потвърдите. Ако не натиснете SET за потвърждение, избраната от вас температура ще мига за 3 секунди, след което ще започне нагряването, избраната температура ще се поддържа само до изключването на бойлера от потребителя. Избраната температура няма да бъде запомнена.

Като задръжте бутона SET за 5 секунди (или 7 секунди) и повторите всички горни действия, е възможно да зададете още два температурни значения в паметта на прибора. Последната зададена температура е една и съща и за трите режима на паметта. По време на нагряването ще се показва температурата на водата в бойлера.

Температурната индикация на дисплея показва температурата на водата в бойлера. За да видите каква температура е зададена по време на нагряването, натиснете бързо веднъж SET и зададената температура ще се покаже за 3 секунди. След 3 секунди ще се покаже температурата на водата в бойлера.

Когато температурата достигне зададената температура, индикаторът «HEATING» ще изгасне.

Режим Антизамръзване

За да предотврати замръзване на водата, бойлерът автоматично започва да загрева, когато температурата на водата във вътрешният резервоар падне под 6°C. Когато температурата достигне 10°C, нагряването спира. Функцията работи, когато устройството е свързано към захранването. Предлага се в серията FmxDL EEC.

Ако има прекъсване на тока в помещението

1. Ако електричеството бъде прекъснато по време на нагряването, то след включване на електричеството в помещението, бойлерът ще се включи за нагряването, както беше зададено преди.

2. Ако бойлерът не е бил включен, бил е в режим «STAND BY», след включване на електричеството в помещението бойлерът няма да започне нагряването.

Монтаж на бойлера

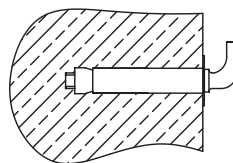


Уверете се, че за монтаж на бойлера се използват оригинални части, предоставени от производителя, които могат да издържат теглото на бойлера, напълнен с вода. Не монтирайте бойлера на крепежа, докато не се уверите, че крепежът е надеждно монтиран. В противен случай бойлерът може да падне от стената, причинявайки щети или сериозни наранявания. При избора на места за отвори за крепежни болтове, уверете се, че има пролука от най-малко 0,2 м от двете страни на стените на банята или друго помещение към тялото на бойлера и най-малко 0,5 м от страната на свързване на тръбата, за да се улесни достъпът при извършване на техническо обслужване, ако е необходимо.

Ако бойлерът получава вода директно от сондажи, кладенци или водонапорни кули, за работа е задължително да се използва филтър за грубо почистване за студена вода, която влиза в бойлера. Филтърът за грубо почистване може да бъде закупен от специализирани магазини. Ако не е инсталиран филтър за грубо почистване, гаранцията за изделие не важи.

1. Бойлерът трябва да бъде монтиран на твърда вертикална повърхност (стена).
2. След като изберете мястото за монтаж, направете два отвора в стената с необходимата дълбочина и поставете винтовете, завъртете куката нагоре, затегнете здраво гайките и след това монтирайте бойлера върху нея (вижте фиг. 5).

Крепещ анкер за монтаж

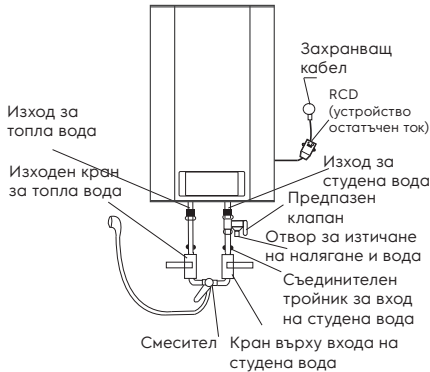


Фиг. 5

Обем, л	27	46	73	93
Разстояние между отворите, mm	196			

3. Ако банята е твърде малка за монтажа на бойлера, той може да бъде монтиран във всяка друга стая, защитена от пряка слънчева светлина и дъжд. За да се намалят топлинните загуби в тръбопровода, бойлерът трябва да бъде инсталиран възможно най-близо до мястото, където се използва водата.
4. При свързване към водоснабдителната система е необходимо да се осигури и осъществи монтаж на отделни спирателни кранове на линията за подаване на студена вода към бойлера и на изходната линия на горещата вода. Индивидуалните спирателни кранове на линията за гореща и студена вода трябва да бъдат затворени през периода на неизползване на бойлера, поддръжка и технологични работи на водоснабдителна линия. Монтажът и правилното използване на спирателни кранове е задължително условие за предоставяне на гаранционно обслужване, както и гаранция за продължителна и безпроблемна работа на бойлера.

Свързване с водопровод

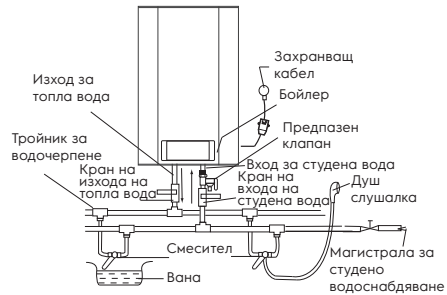


Фиг. 6

1. За свързване на бойлера към водопроводната система се използват тръби с диаметър G1/2.
2. Свързване на възвратния предпазен клапан: клапанът трябва да се монти-

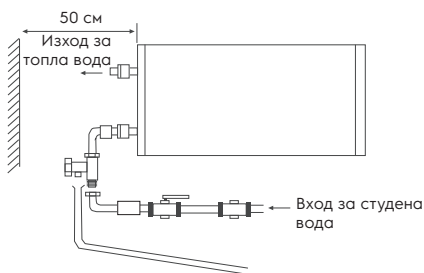
ра на входа на студената вода (уверете се, че е монтирана гъвкава дренажна тръба, в отвора за освобождаване на налягане и изтичане на вода и е насочена надолу към специалния дренаж за отстраняване на водата).

3. За да избегнете течове при свързване на тръбопровода, поставете комплектни гумени уплътнения в краищата на резбовите връзки.
4. Ако е необходимо да направите водоснабдителна система за няколко водни точки, използвайте метода на свързване (вижте фиг. 7).
5. Ако налягането в магистрала може да надвиши 5 бара, не забравяйте да инсталирате редуктор за намаляване на водното налягане. При липса на редуктора за намаляване на налягането и за свърхналягането в магистрала за студена вода, уредът не се обслужва според гаранцията.



Фиг. 7

6. Монтажът на бойлери от серията Fmx, Fmx DL е значително улеснен от възможността да ги инсталирате както вертикално, така и хоризонтално навсякъде в къщата си, в отопляемо помещение. Препоръчително е бойлерът да се монтира най-близо до мястото, където се използва топла вода, защото колкото по-къси са тръбите, толкова по-малко топлинни загуби. Когато монтирате бойлера хоризонтално, захранващите тръби трябва да бъдат разположени отляво. Когато монтирате бойлера близо до стена, оставете препоръчаното разстояние за техническо обслужване. Не монтирайте бойлера на хоризонтална повърхност и близо до пода. (вижте рис. 8)



Фиг. 8

Свързване към електрическа мрежа

Всички бойлери от тази серия са проектирани да бъдат свързани към еднофазна електрическа мрежа 220/240 В. Преди свързване се уверете, че параметрите на електрическата мрежа в точката на свързване съответстват на параметрите, посочени на табелката с технически данни на устройството.

При монтажа на бойлера, трябва да се спазват действащите разпоредби за електрическа безопасност.

При монтажа на бойлера в баня или тоалетна, трябва да се вземат предвид ограниченията, свързани с наличието на забранен и защитен обем.

Забраненият обем – е пространството, ограничено от тангенциални и вертикални равнини по отношение на външните ръбове на ваната, тоалетната чиния или душ кабината и от равнина, разположена над тях или над пода, ако водопроводна инсталация е монтирана на пода, на височина 2.25 м.

Защитният обем – е пространството, чиито пределни хоризонтални равнини съвпадат с равнините на забранения обем, а вертикалните равнини са на разстояние 1 м от съответните равнини на забранения обем.

Изчислени данни за мед

Избор на напречно сечение на кабел (проводник) от мед по мощност и дължина, $U = 220$ В, еднофазно

P, кВт	1	2	3	3,5	4	6	8
I, А	4,5	9,1	13,6	15,9	18,2	27,3	36,4

Напречното сечение на токопроводящо жило, mm ²	1	1	1,5	2,5	2,5	4	6
Максимално допустима дължина на кабела при посоченото напречно сечение, м	34,6	17,3	17,3	24,7	21,6	23	27

Експлоатация

Напълване с вода

След монтажа на бойлера, затворете входа за топла вода към апартамента, отворете клапана за подаване на студена вода. Отворете крана за гореща вода на смесителя. Веднага след като бойлерът се напълни, водата ще потече от него, затворете крана за гореща вода на смесителя и се уверете, че няма течове. Ако не сте сигурни дали в бойлера има вода, не го свързвайте към електрическата мрежа.

Предпазни мерки

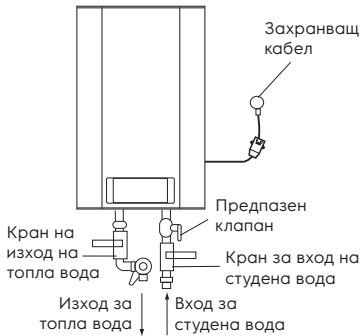
Настройка на температурата

Диапазонът на регулиране на температурата на бойлера е от 30 °С (минимум) до 75 °С (максимум). В моделите от серия Fmx EEC / Fmx DL EEC температурата се настройва с помощта на копчето за контрол на температурата на долния капак на устройството.

- Електрическият контакт трябва да бъде правилно заземен. Номиналният ток на контакта трябва да бъде най-малко 10 А. Контактът и щепселът трябва винаги да са сухи, за да се предотвратят къси съединения в електрическата мрежа. Проверявайте периодично дали щепселът е здраво поставен в контакта. Методът за изпитване е следният: вкарайте щепсела в контакта, след половин час изключете бойлера и издърпайте щепсела от контакта. Обърнете внимание дали щепселът е топъл на допир. Ако усетите с ръката си, че е топъл (при температура над 50 °С), моля, сменете контакта с друг, където щепселът да приляга плътно. Това ще помогне за предотвратяване на пожар, повреда на щепсела или други инциденти поради лош контакт.
- Стената, на която трябва да се монтира бойлерът, трябва да предвижда нато-

варване, удвоено от общото тегло на бойлера, напълнен с вода. В противен случай трябва да се вземат допълнителни мерки за закрепване на изделие.

3. Предпазният клапан трябва да бъде монтиран на входа за вода (виж фиг. 9).

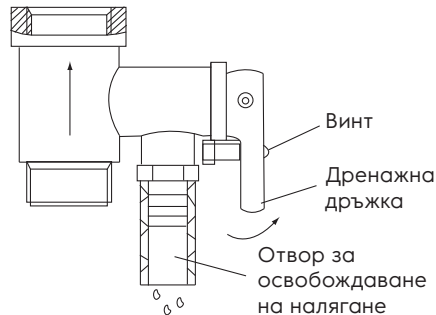


Фиг. 9

4. Когато използвате бойлера за първи път (или когато го използвате за първи път след поддръжка или почистване), не включвайте захранването на бойлера, докато не се напълни напълно с вода. Когато пълните резервоара на бойлера, отворете крана за гореща вода, за да освободите въздуха. Веднага след като резервоарът се напълни с вода и водата изтече от крана, кранът може да бъде затворен.
5. По време на нагряване на водата, от отвора за освобождаване на налягане на предпазния клапан може да изтече водата. Това е нормално. В случай на големи течове обаче свържете се със сервизния техник. Отворът за освобождаване на налягане не трябва да бъде блокиран при никакви обстоятелства; в противен случай това може да доведе до повреда на бойлера.
6. На отвора за освобождаване на налягане трябва да се монтира дренажна тръба и да се отведе в канализацията, в случай източване на водата. Дренажната тръба, свързана с отвора за освобождаване на налягане трябва да бъде насочена надолу.
7. Тъй като температурата на водата в бойлера може да достигне 75 °C, горещата вода не трябва да попада върху човешкото тяло. За да избегнете изга-

рания, можете да регулирате температурата на водата с помощта на крана на смесителя.

8. В случай на продължително отсъствие, извършване на ремонтни, технологични и профилактични работи по водопроводната линия или продължително неизползване на бойлера, е задължително да се затворят отделните спирателни кранове на тръбата за подаване на студена вода към бойлера и на линията за изхода на гореща, както и да се изключи бойлера от електрозахранването, като извадите щепсела от контакта.
9. Ако бойлерът се използва в помещения с централизирано водоснабдяване, през периода на изключване на топлата вода, затворете спирателния клапан за подаване на топла вода от водоснабдяващи магистрала (щранг).
10. Можете да източите водата от бойлера с помощта на предпазния клапан, като същевременно изключите подаването на студена вода към бойлера и отворите дръжката за източване на предпазния клапан. В този случай водата от бойлера трябва да се източи през дренажния отвор на клапана в канализационната система (когато източвате водата, отворете крана за гореща вода на смесителя, за да освободите въздух).



Фиг. 10

11. В случай на повреда на гъвкавия захранващ кабел, заменете го с подобен, доставен от производителя. Замяната трябва да се извършва от опитни специалисти по поддръжка.
12. В случай на повреда на една от частите на бойлера е необходимо да се свържете със специалистите по под-

- дръжката за извършване на ремонт. Използвайте само резервни части, предоставени от производителя
13. Това устройство не е предназначено за използване от лица (включително деца) с намалени физически или умствени способности и липса на умения или знания, с изключение на случаи, когато лицето е запознато или надлежно инструктирано от отговорника по безопасност.
14. Водата от бойлера трябва да бъде източена напълно, ако не се използва дълго време или температурата в помещението, където е монтиран, може да падне под 0 °С.

Отстраняване на неизправности

Неизправност	Причини	Отстраняване
Индикатор на нагряване е изключен	Отказване на температура-турен регулатор	Свържете се със специалист за техническо об-служване за изпълнение на ремонта
Водата не постъпва от крана за гореща вода	<ol style="list-style-type: none"> 1. Водоснабдяването през водопровода е спряно 2. Налягането на водата е твърде ниско 3. Входният клапан за вода е затворен 	<ol style="list-style-type: none"> 1. Изчакайте подаването на вода да се възобнови 2. Използвайте бойлера, когато налягането на водата отново се повиши 3. Отворете крана за подаване на вода
Температурата на водата надвишава допустимото ниво	Неизправност на системата за контрол на температурата	<ol style="list-style-type: none"> 1. Необходимо е незабавно да изключите бойлера от мрежата 2. Свържете се със специалистите по техническо обслужване за ремонт
Няма нагряване на водата	Нагряването не е включено	<p>Превключете копчето ON/OFF (Вкл./Изкл.) в положение low</p> <ol style="list-style-type: none"> 1. Изключете бойлера от електрическата мрежа 2. Охладете бойлера, като отворите кран за гореща вода и да го държите отворен, докато температурата на водата спадне 3. Свалете капака 4. Натиснете малкия бутон на корпуса на предпазния превключвател 5. Сменете капака и свържете отново устройството към електрическата мрежа 6. Ако проблемът продължава, свържете се със сервизен специалист
	Задейства се защитният термичен сензор	Свържете се със сервизен специалист
	Нагревателният елемент е повреден	Свържете се със сервизен специалист
	Неизправна електронна платка	Свържете се със сервизен специалист
Течове	Неизправно уплътнение на тръбата	Сменете уплътнението
Всички индикации мигат за повече от 10 секунди	Възможни грешки в работата на бойлера	Изключете бойлера от мрежата и го включете отново. Ако индикацията мига отново за повече от 10 секунди, свържете се със сервизен специалист

Технически характеристики

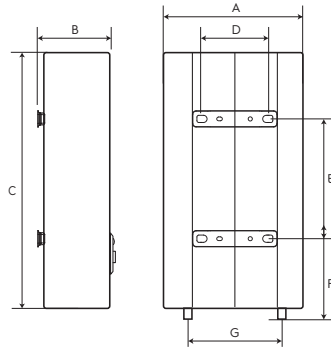
Модел	EWH 30 Fmx EEC	EWH 50 Fmx EEC	EWH 80 Fmx EEC	EWH 100 Fmx EEC
Обем, л	27	46	73	93
Номинална мощност, Вт	2000	2000	2000	2000
Захранващо напрежение, В ~ Гц	220-240-50	220-240-50	220-240-50	220-240-50
Сила на тока, А	9.09	9.09	9.09	9.09
Минимално налягане, бар	0,8	0,8	0,8	0,8
Максимално налягане *, бар	7.5	7.5	7.5	7.5
Максимална температура на водата, °С	75	75	75	75
Клас на електрическа защита	I клас	I клас	I клас	I клас
Степен на защита	IPX4	IPX4	IPX4	IPX4
Време за нагряване от 10 °С до 75 °С **, мин.	71.4	119.04	190.8	238.8
Размери на уреда (Ш×В×Д), mm	344×545×359	344×825×359	454×729×469	454×879×469
Размери на опаковката (Ш×В×Д), mm	429×640×429	429×920×429	539×849×539	539×999×539
Нетно/брутно тегло, кг	16.08/17.75	22.08/24.09	27.17/31.21	31.76/35.8

Модел	EWH 30 FmxDL EEC	EWH 50 FmxDL EEC	EWH 80 FmxDL EEC	EWH 100 FmxDL EEC
Обем, л	27	46	73	93
Номинална мощност, Вт	2000	2000	2000	2000
Захранващо напрежение, В ~ Гц	220-240-50	220-240-50	220-240-50	220-240-50
Сила на тока, А	9.09	9.09	9.09	9.09
Минимално налягане, бар	0,8	0,8	0,8	0,8
Максимално налягане *, бар	7.5	7.5	7.5	7.5
Максимална температура на водата, °С	75	75	75	75
Клас на електрическа защита	I клас	I клас	I клас	I клас
Степен на защита	IPX4	IPX4	IPX4	IPX4
Време за нагряване от 10 °С до 75 °С **, мин.	71.4	119.04	190.8	238.8
Размери на уреда (Ш×В×Д), mm	344×545×359	344×825×359	454×729×469	454×879×469
Размери на опаковката (Ш×В×Д), mm	429×640×429	429×920×429	539×849×539	539×999×539
Нетно/брутно тегло, кг	16.06/17.65	22.09/24.1	24.1/28.22	31.77/35.31

* При максимално налягане излишното налягане се освобождава през предпазния клапан. Ако налягането на водопровода надвишава 7.5 бара (номинално работно налягане), трябва да се монтира клапан за намаляване на налягането.

** Време за нагряване е посочено при пълната мощност на нагряване и се изчислява при идеални условия на околната среда. Производителят си запазва правото на изменения.

Габаритни размери



	EWH 30 FMX EEC/FMX DL EEC	EWH 50 FMX EEC/FMX DL EEC	EWH 80 FMX EEC/FMX DL EEC	EWH 100 FMX EEC/FMX DL EEC
A, мм	344	344	454	454
B, мм	359	359	469	469
C, мм	545	825	729	879
D, мм	196	196	196	196
E, мм	253	401	297	447
F, мм	174	172	281	278
G, мм	100	100	100	100

Схема за електрически съединения EWH Fmx EEC

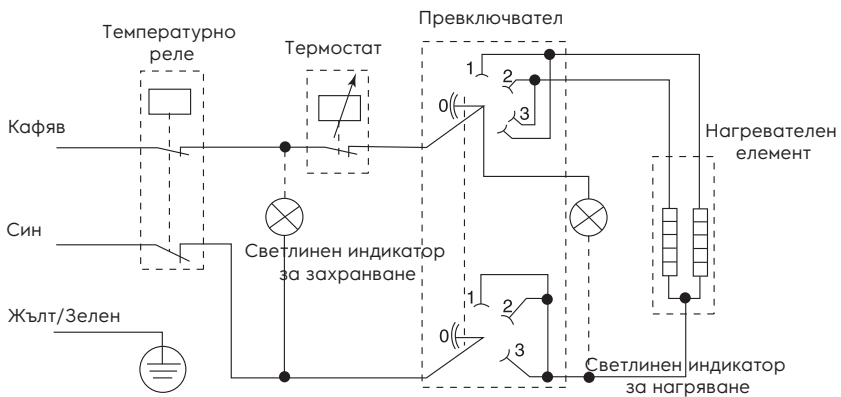
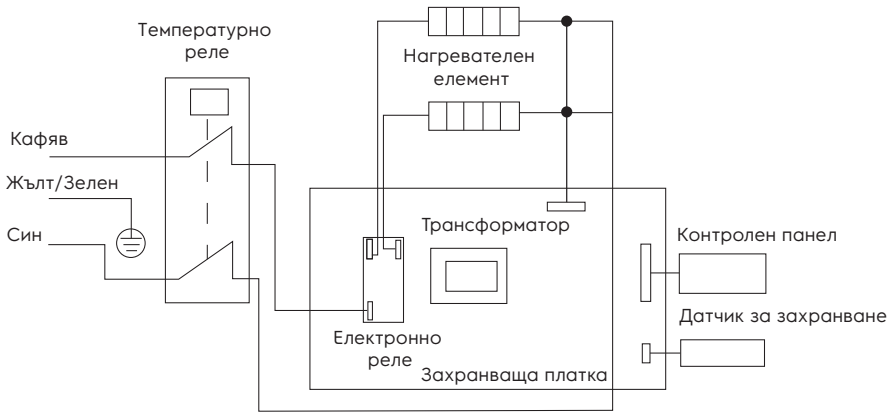


Схема за електрически съединения EWH FmхDL EEC



Грижи и техническо обслужване

**Внимание!**

Винаги изключвайте бойлера от електрическата мрежа, преди да извършите сервизно обслужване.

За да се осигури дълъг експлоатационен живот и да се запази валидната гаранция за вътрешния водосъдържащ съд, е необходимо да се извърши техническо обслужване от квалифицирани специалисти не по-късно от една година след началото на експлоатацията, което трябва да включва задължителна проверка за наличие на котлен камък върху нагревателния елемент и вътрешната кухня на водосъдържащия съд, както и състоянието на магнезиевия анод. В случай на силно износване магнезиевият анод трябва да бъде заменен. Гаранцията за водосъдържащия съд и нагревателния елемент в случай на износен анод (остатъчен обем под 30% от първоначалния) е невалидна. Въз основа на резултатите от проверката на бойлера по време на първото техническо обслужване се установява честотата на редовното техническо обслужване, която трябва да се спазва през целия период на експлоатация на устройството. В случай на промяна на адрес за експлоатация на устройството, както и промени в условията на работа

(качество на водата), разкрити в резултат на редовно техническо обслужване, редовността на техническото обслужване може да бъде преразгледана. Потвърждението за провеждане на техническото обслужване е попълнена точка в таблицата за извършеното техническо обслужване.

В райони с изключително твърда вода, с вода, съдържаща корозивни примеси, може да се наложи провеждането на такава проверка по-често. За да направите това, трябва да получите съответната информация от специалист или директно в компания, осигуряваща водоснабдяване! Ако не е извършено техническото обслужване или ако магнезиевият анод в бойлера е напълно износен/липсва, гаранцията за бойлера се отменя.

**Внимание!**

Натрупването на котлен камък върху нагревателния елемент и наличието на утайка във вътрешния резервоар може да доведе до повреда на бойлера и е основание за отказ от гаранционно обслужване. Редовната поддръжка е превантивна мярка и не се покрива от гаранцията.

Не е разрешено да се монтират превключватели, контакти и осветителни устройства в забранената зона. Монтаж

на превключватели в защитния обем е забранен, но е възможно да се монтират контакти със заземяване.

Бойлерът трябва да бъде монтиран извън забранения обем, така че да не е изложен на водни струи. Уредът трябва да бъде свързан към електрическата мрежа чрез специален контакт със заземяване, свързан към отделен автоматичен прекъсвач в разпределителното табло.

За да се осигури безопасна работа на бойлера, трябва да се инсталира автоматично устройство с подходящ номинал.

Подключване към електрическата мрежа трябва да включва заземяване. Щепселът на захранващия кабел на бойлера със специален конектор за заземяване трябва да се вкарва само в контакта.

Регулатор на температурата на отопление. В случай на ежедневно използване е препоръчително да поддържате бойлера включен, тъй като термостатът включва нагряването само когато е необходимо да се поддържа зададената температура.

Източване на вода. Водата от бойлера трябва да бъде източена напълно, ако не се използва дълго време или температурата в помещението, където е монтиран, може да падне под 0 °C. Източването може да се извърши с помощта на предпазен клапан, при което е възможно изтичане под стъблото на клапана.



Внимание!

За източване може да се предвиди тройник с вентил между клапана и втулката.

Преди да източите водата от бойлера, не забравяйте да:

- изключите бойлера от мрежата;
- затворите входящия клапан за вода;
- отворите крана за топла вода.

Извършвайте редовно техническото обслужване на вашия бойлер с помощта на специалисти от оторизиран сервизен център.



Внимание!

Никога не сваляйте капака на бойлера, без първо да го изключите от захранването.

Гаранционното обслужване се извършва в съответствие с гаранционните задължения, изброени в гаранционната карта. Производителят си запазва правото да прави промени в конструкцията и характеристиките на устройството, без предварително уведомление.

Транспорт и съхранение

Бойлерите в опаковката на производителя могат да се транспортират с всички видове покрит транспорт в съответствие с правилата за превоз на товари, които са в сила за този вид транспорт. Условия за транспортиране при температура от минус 50 °C до плюс 50 °C и при относителна влажност до 80% при плюс 25 °C). По време на транспортирането трябва да се изключи всяко възможно въздействие и движение на опаковки с бойлери в превозното средство. Транспортирането и товаренето трябва да се извършват в съответствие със знаци посочени върху опаковката. Бойлерите трябва да се съхраняват в опаковката на производителя при условия на съхранение от +1 °C до +40 °C и относителна влажност до 80% при 25 °C).

Рециклиране



Използваният прибор не трябва да се изхвърля заедно с битовите отпадъци (2012/19/EU).

Гаранционни задължения

Гаранционното обслужване се извършва в съответствие с условията, дадени в раздел «Гаранционни задължения»

Гаранция:

- Продуктът е осигурен с гаранция за следващите две години от датата на покупката. Ако в рамките на този двегодишен гаранционен срок ще бъдат открити някакви дефекти, възникнали в резултат на недостатъци в материалите и /или изработка, продуктът ще бъде ремонтиран или заменен.
- Безплатният ремонт или замяна са възможни само при предоставяне на

убедителни доказателства, например, с помощта на квитанцията, потвърждаваща, че денят, в който е поискана поддръжката, е в рамките на гаранционния срок.

- Гаранцията не покрива продукти и/или детайли на продукта, които са предмет на износване, които могат да се третират като консумативи по природата или които са направени от стъкло.
- Гаранцията не покрива дефектите, причинени от неправилна употреба, лоша поддръжка (например, отказът възникна поради проникване вътре в продукта на непознати предмети или течности) или ако промените или ремонтът са били извършени от лицата, не упълномощени от Производителя.
- За правилното използване на изделието потребителят трябва стриктно да спазва всички инструкции, включени в ръководството за потребителя, и трябва да се въздържа от всякакви действия или манипулации, които са описани като нежелателни или посочени в ръководството за потребителя.
- Тези гаранционни ограничения не засягат вашите законови права.

Поддръжка:

Поддръжка по време и след гаранционния период може да бъде получена във всички страни, където продуктът се разпространява официално. Моля, свържете се с вашия дилър за помощ.

Дата на производство

Датата на производство е посочена на стикера върху тялото на уреда, както и е криптирана в Code-128.

Датата на производство се определя по следния начин:

SN XXXXXXXX XXXX XXXXXXXX XXXXX

месец и година на производство

Не отстранявайте и запазвайте серийния номер на уреда. Ако стикерът със серийния номер е изгубен или повреден, няма да е възможно да възстановите датата на производство, ако е необходимо.

Производител/Вносител: CladSwiss AG,
Банхофшрасе 27, 6300 Цуг, Швейцария.
E-mail: info@cladswiss.com

Произведено в Китай

Electrolux е регистрирана търговска марка, използвана по лиценз от АВ Electrolux (publ).

Производителят си запазва правото да внася промени в конструкцията и характеристиките на уреда.

В текста и цифровите обозначения на ръководството могат да възникнат технически и типографски грешки.

Промените на техническите характеристики и асортимента могат да бъдат извършени без предварително уведомление.

Допускат се грешки и печатни грешки в текстовете и цифри.

Дизайнът и техническите данни на устройството могат да се различават от тези, показани на опаковката.

Моля, свържете се с вашия търговски консултант за повече подробности.

ΠΕΡΙΕΧΟΜΕΝΟ

1. ΕΙΣΑΓΩΓΗ.....	75
2. ΕΞΟΠΛΙΣΜΟΣ.....	75
3. ΣΥΝΤΟΜΗ ΠΕΡΙΓΡΑΦΗ ΤΟΥ ΘΕΡΜΟΣΙΦΩΝΑ.....	75
4. ΠΙΝΑΚΑΣ ΕΛΕΓΧΟΥ.....	76
5. ΕΓΚΑΤΑΣΤΑΣΗ ΤΟΥ ΘΕΡΜΟΣΙΦΩΝΑ.....	78
6. ΣΥΝΔΕΣΗ ΜΕ ΤΗΝ ΠΑΡΟΧΗ ΝΕΡΟΥ.....	79
7. ΗΛΕΚΤΡΙΚΗ ΣΥΝΔΕΣΗ.....	79
8. ΛΕΙΤΟΥΡΓΙΑ.....	80
9. ΠΡΟΦΥΛΑΞΕΙΣ.....	80
10. ΑΝΤΙΜΕΤΩΠΙΣΗ ΠΡΟΒΛΗΜΑΤΩΝ.....	82
11. ΤΕΧΝΙΚΑ ΧΑΡΑΚΤΗΡΙΣΤΙΚΑ.....	83
12. ΔΙΑΣΤΑΣΕΙΣ.....	84
13. ΔΙΑΓΡΑΜΜΑ ΣΥΝΔΕΣΜΟΛΟΓΙΑΣ.....	84
14. ΦΡΟΝΤΙΔΑ ΚΑΙ ΣΥΝΤΗΡΗΣΗ.....	85
15. ΜΕΤΑΦΟΡΑ ΚΑΙ ΑΠΟΘΗΚΕΥΣΗ.....	86
16. ΑΝΑΚΥΚΛΩΣΗ.....	86
17. ΥΠΟΧΡΕΩΣΕΙΣ ΕΓΓΥΗΣΗΣ.....	86
18. ΗΜΕΡΟΜΗΝΙΑ ΚΑΤΑΣΚΕΥΗΣ.....	86

ΣΑΣ ΣΚΕΦΤΟΜΑΣΤΕ

Σας ευχαριστούμε που αγοράσατε μια συσκευή Electrolux. Έχετε επιλέξει ένα προϊόν που υποστηρίζεται από δεκαετίες επαγγελματικής εμπειρίας και καινοτομίας. Μοναδικό και κομψό, δημιουργήθηκε με προσοχή για εσάς. Επομένως, όποτε το χρησιμοποιείτε, μπορείτε να είστε σίγουροι ότι τα αποτελέσματα θα είναι πάντα εξαιρετικά. Καλώς ορίσατε στην Electrolux!

Στην ιστοσελίδα μας, μπορείτε:



Να βρείτε συστάσεις για χρήση προϊόντων, εγχειρίδια οδηγιών, πληροφορίες συντήρησης: www.home-comfort.com/support/



Κατά την πώληση ο πωλητής πρέπει να συμπληρώσει την ενότητα "Πληροφορίες για το προϊόν", που βρίσκεται στο εσωτερικό πίσω κάλυμμα αυτού του εγχειριδίου λειτουργίας.



Συμβολα χρήσης



Προσοχή/Σημαντικές πληροφορίες για την ασφάλεια



Γενικές πληροφορίες και συστάσεις

Η υπηρεσία εγγύησης εκτελείται σύμφωνα με τους όρους που καθορίζονται στην ενότητα "Εγγύηση"

Σημείωση:

Στο κείμενο αυτού του εγχειριδίου, ηλεκτρικός θερμοσίφωνα αποθήκευσης μπορεί να έχει τεχνικά ονόματα όπως μηχανήμα κ.λπ.

Εισαγωγή

Ο ηλεκτρικός θερμοσίφωνα τύπου αποθήκευσης έχει σχεδιαστεί για να θερμαίνει κρύο νερό που προέρχεται από το σύστημα παροχής νερού. Χρησιμοποιείται αποκλειστικά για οικιακούς σκοπούς, το νερό από τον θερμοσίφωνα δεν προορίζεται για πόσιμο και μαγείρεμα.

Η εγκατάσταση και η πρώτη εκκίνηση του θερμοσίφωνα πρέπει να γίνει από εξειδικευμένο τεχνικό ο οποίος μπορεί να είναι υπεύθυνος για τη σωστή εγκατάσταση και να παρέχει συστάσεις σχετικά με τη χρήση του θερμοσίφωνα.

Κατά τη σύνδεση, πρέπει να τηρείτε τα ισχύοντα πρότυπα και κανονισμούς.

Πριν εγκαταστήσετε τον θερμοσίφωνα, βεβαιωθείτε ότι η πρίζα είναι γειωμένη.

Εάν δεν υπάρχει γείωση στην πρίζα, είναι απαραίτητο να γειώσετε τον θερμοσίφωνα με ξεχωριστό καλώδιο γείωσης στον ακροδέκτη γείωσης στο σώμα του θερμοσίφωνα. Ελλείψει γείωσης, απαγορεύεται η εγκατάσταση και λειτουργία του προϊόντος. Ο ακροδέκτης της γείωσης βρίσκεται στο σώμα του θερμοσίφωνα.



Προσοχή!

Μην χρησιμοποιείτε φορητές πρίζες.



Προσοχή!

Η εσφαλμένη εγκατάσταση και λειτουργία του ηλεκτρικού θερμοσίφωνα μπορεί να οδηγήσει σε ατυχήματα ή υλικές ζημιές.

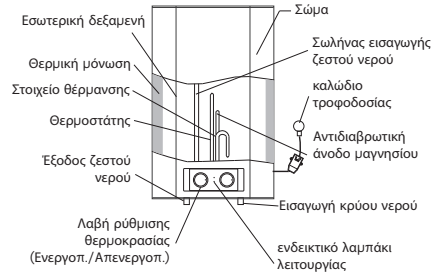
Εξοπλισμός

Ο θερμοσίφωνα είναι εξοπλισμένος με βασικά στοιχεία για εγκατάσταση και σύνδεση.

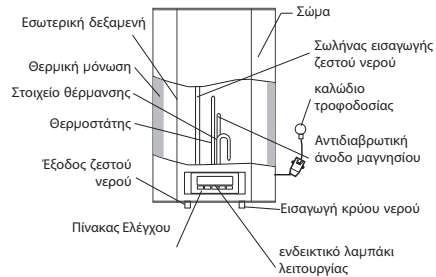
Το σετ θερμοσίφωνων Fmx EEC / Fmx DL EEC περιλαμβάνει:

- θερμοσίφωνα με καλώδιο τροφοδοσίας + προστατευτική συσκευή τερματισμού λειτουργίας — 1 τεμ.;
- βαλβίδα ασφαλείας — 1 τεμ.;
- Εγχειρίδιο χρήστη — 1 τεμ.;
- πρότυπο τοποθέτησης — 1 τεμ.
- άγκυρα στερέωσης για τοποθέτηση — 2 τεμ.

Σύντομη περιγραφή του θερμοσίφωνα



Εικ. 1 Fmx EEC



Εικ. 2 FmxDL EEC

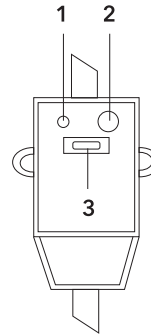
1. Αυτόματος έλεγχος θερμοκρασίας νερού: Ανοίγοντας τη βρύση ζεστού νερού στο μίξερ στην έξοδο του θερμοσίφωνα, το κρύο νερό αρχίζει να ρέει στην είσοδο, γεμίζοντας την εσωτερική δεξαμενή. Το νερό στη δεξαμενή αναμειγνύεται και η θερμοκρασία του πέφτει. Ο αισθητήρας θερμοστάτη αντιδρά σε πτώση της θερμοκρασίας του νερού, το θερμαντικό στοιχείο ενεργοποιείται αυτόματα και θερμαίνει το νερό στην προηγούμενη ρυθμισμένη θερμοκρασία. Όταν η θερμοκρασία φτάσει στην καθορισμένη τιμή, το θερμαντικό στοιχείο απενεργοποιείται αυτόματα.
2. Προστασία του θερμοσίφωνα:
 - προστασία από την υπερθέρμανση;
 - προστασία από τη διάβρωση;
 - προστασία από υπερβολική υδραυλική πίεση.
3. Οι χαλύβδινες εσωτερικές δεξαμενές με ειδική προστατευτική επίστρωση κατασκευάζονται σύμφωνα με την προηγμένη μέθοδο ηλεκτροστατικού ξηρού σμάλτου. Το ειδικό κράμα της εσωτερικής δεξαμενής είναι ανθεκτικό στη διάβρωση και στο απόβρασμα. Προστατευτική επίστρωση της εσωτερικής δεξαμενής από ειδικά αναπτυγμένο γυαλί σμάλτο λεπτής διασποράς.

Ιδιότητες σμάλτου:

- αυξημένη ικανότητα συγκόλλησης και υψηλή πλαστικότητα (σκληρύνθηκε στους 850 °C).
 - διαστέλλεται ή συστέλλεται με διαφορές
4. Τα θερμαντικά στοιχεία ξηρής θερμότητας (TEN) είναι αξιόπιστα και ασφαλή στη λειτουργία, έχουν μεγάλη διάρκεια ζωής. Τα θερμαντικά στοιχεία τοποθετούνται σε προστατευτικά μεταλλικά περιβλήματα, καλυμμένα με ένα στρώμα λεπτώς διασκορπισμένου γυαλίνου σμάλτου, το οποίο αποκλείει την άμεση επαφή των θερμαντικών στοιχείων με το νερό, κατά συνέπεια, δεν σχηματίζονται άλατα στα θερμαντικά στοιχεία, γεγονός που αυξάνει τη διάρκεια ζωής τους και παρατείνει την διάρκεια ζωής.
 5. Η λειτουργία (ECO) στον πίνακα ελέγχου παρέχει:
 - θέρμανση νερού σε μια άνετη θερμοκρασία, περίπου 50-55 °C ;
 - εμποδίζει το σχηματισμό των αλάτων;
 - αυξάνει την διάρκεια ζωής της συσκευής
 6. Εσωτερική θερμομόνωση επιτρέπει να διατηρείτε αποτελεσματικά τη θερμοκρασία του θερμαινόμενου νερού, ελαχιστοποιεί απώλεια θερμότητας και μειώνει την κατανάλωση ενέργειας.
 7. Ενσωματωμένος ελεγκτής θερμοκρασίας: παρέχει συνεχή και αξιόπιστο έλεγχο της θερμοκρασίας του νερού.
 8. Το εύρος ρύθμισης της θερμοκρασίας θέρμανσης νερού στα μοντέλα Fmx είναι από 30 °C έως 75 °C. Η θερμοκρασία θέρμανσης ρυθμίζεται από αριστερά προς τα δεξιά (δεξιόστροφα) από ελάχιστη έως τον οικονομικό τρόπο λειτουργίας ECO 55° C έως μέγιστη. Η μέγιστη θερμοκρασία θέρμανσης νερού στα μοντέλα Fmx DL είναι 75 °C. ECO - οικονομική λειτουργία, περίπου 55 ° C. Χρησιμοποιώντας τα κουμπιά στον πίνακα ελέγχου «+» ή «-» μπορείτε να ρυθμίσετε τη θερμοκρασία με ακρίβεια 1 °C.
 9. Απλή και εύκολη λειτουργία και συντήρηση του θερμοσίφωνα.

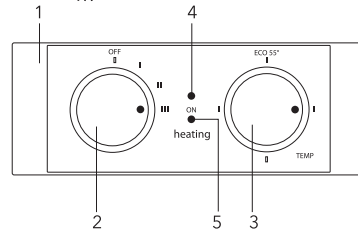
RCD (συσκευή διακοπής ασφαλείας)

- 100% πρόληψη ηλεκτροπληξίας.
- Ακολουθήστε τις οδηγίες εγκατάστασης όταν συνδέετε τον ηλεκτρικό θερμοσίφωνα αποθήκευσης.
- Όταν συνδέεται στο τροφοδοτικό, η ένδειξη τροφοδοσίας (1) θα ανάψει στην μπροστινή πλευρά του RCD.
- Για να ελέγξετε το RCD, πατήστε το κουμπί TEST (2). Η ένδειξη τροφοδοσίας (1) θα είναι απενεργοποιημένη.
- Για επανεκκίνηση του RCD, πατήστε το κουμπί (3).



Πίνακας Ελέγχου

Πίνακας Ελέγχου Fmx EEC



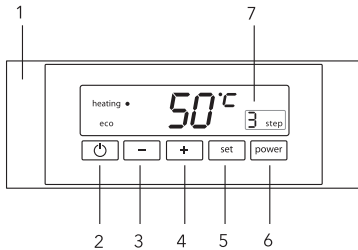
Εικ. 3

1. Πίνακας Ελέγχου.
2. Κουμπιά ενεργοποίησης / απενεργοποίησης ("ON" / "OFF") - εναλλαγή επιπέδων θέρμανσης.
 - — ημάδι "OFF" - απενεργοποίηση της θέρμανσης.
 - ▬ — Σημάδι ενεργοποίησης θέρμανσης. Το πρώτο στάδιο ισχύος είναι 800 W.
 - — σημάδι για την ενεργοποίηση του δεύτερου σταδίου ισχύος θέρμανσης 1200 W.
 - — σημάδι για την ενεργοποίηση της τρίτης ισχύος θέρμανσης 2000 W.
3. Κουμπιά ρύθμισης θερμοκρασίας
 - — σημάδι στο κάτω μέρος αντιστοιχεί στην ελάχιστη θερμοκρασία νερού στο θερμοσίφωνα (θέρμανση εκτός λειτουργίας).
 - ▬ — το σημάδι στα αριστερά αντιστοιχεί στην ελάχιστη θερμοκρασία θέρμανσης νερού στο θερμοσίφωνα (ενεργοποίηση της θέρμανσης).
 - ECO 55 — σημάδι οικολογικής λειτουργίας αντιστοιχεί στη θερμοκρασία θέρμανσης του νερού στο θερμοσίφωνα έως 55 °C.
 - ▬ — σημάδι στα δεξιά αντιστοιχεί στη μέγιστη θερμοκρασία θέρμανσης νερού στο

Θερμοσίφωνα (75 °C)

4. Ένδειξη "ON" - ανάβει με πράσινο χρώμα όταν ο θερμοσίφωνα είναι ενεργοποιημένος.
5. Ένδειξη HEATING - ανάβει με κόκκινο χρώμα όταν λειτουργεί το θερμαντικό στοιχείο και θέρμανση νερού.

Πίνακας Ελέγχου FmxDL EEC



Εικ. 4

1. Πίνακας Ελέγχου.
2. Κουμπί «ON»/»OFF» για ενεργοποίηση/ απενεργοποίηση του θερμοσίφωνα (θέρμανση).
3. Κουμπί ρύθμισης θερμοκρασίας - "-" μειώνει τη θερμοκρασία.
4. Κουμπί ρύθμισης θερμοκρασίας - "+" αύξηση θερμοκρασίας.
5. Κουμπί SET:
 - προβολή της ρυθμισμένης θερμοκρασίας;
 - απομνημονεύστε τη ρυθμισμένη θερμοκρασία;
 - ορίστε τη θερμοκρασία από τη μνήμη του θερμοσίφωνα
6. Κουμπί "POWER" - ρύθμιση της ισχύος θέρμανσης.
7. Ένδειξη της επιλεγμένης στάθμης ισχύος θέρμανσης:
 - 1 στάδιο - 800 watt.
 - 2 στάδιο - 1200 watt.
 - 3 στάδιο - 2000 watt..

Η επιλογή της λειτουργίας τροφοδοσίας παρέχει γρήγορη θέρμανση ή επιτρέπει τη χρήση του θερμοσίφωνα σε δωμάτια με περιορισμένη παροχή ρεύματος.

Σύνδεση με δίκτυο μοντέλων Fmx EEC

Τοποθετήστε το βύσμα σε μια πρίζα και ενεργοποιήστε το θερμοσίφωνα. Η ένδειξη θα ανάψει. Αυτό σημαίνει ότι ο θερμοσίφωνα είναι συνδεδεμένος στο δίκτυο και τροφοδοτείται με ρεύμα. Γυρίστε το κουμπί ελέγχου θερμοκρασίας αριστερόστροφα για να ενεργοποιήσετε τη θέρμανση. Ρυθμίστε το απαιτούμενο επίπεδο θέρμανσης νερού ρυθμίζοντας τη θερμοκρασία θέρμανσης. Δείκτης «ECO» — οικονομική λειτουργία, περίπου 55 °C. Η θέρμανση νερού απενεργοποιείται αυτόματα όταν επιτευχθεί η καθορισμένη θερμοκρασία και ενεργοποιείται

αυτόματα για θέρμανση. Εάν θέλετε να απενεργοποιήσετε τη θέρμανση νερού, γυρίστε το κουμπί ελέγχου θερμοκρασίας στη θέση «OFF». Η λυχνία λειτουργίας θα ανάψει ενώ ο θερμοσίφωνα είναι συνδεδεμένος στο δίκτυο. Σε ορισμένα μοντέλα, όταν το στοιχείο θέρμανσης είναι ενεργοποιημένο, η ένδειξη θα αρχίσει να αναβοσβήνει. Ο θερμοστάτης θα ενεργοποιήσει εκ νέου το θερμαντικό στοιχείο αφού καταναλώσει λίγο νερό.


Ρύθμιση θερμοκρασίας

Εύρος ρύθμισης θερμοκρασίας του θερμοσίφωνα από 30 °C (ελάχιστο) έως 75 °C (μέγιστο). Η θερμοκρασία ρυθμίζεται χρησιμοποιώντας τον ρυθμιστή που βρίσκεται στο μπροστινό μέρος της συσκευής.

Σύνδεση με δίκτυο μοντέλων FmxDL EEC

Βάλτε το φις του θερμοσίφωνα στην πρίζα. Ο θερμοσίφωνα θα ξεκινήσει την αυτοδιάγνωση. Η ένδειξη στην οθόνη θα αναβοσβήνει για περίπου 2 δευτερόλεπτα, θα ανάψει μόνο η ένδειξη θερμοκρασίας νερού στο θερμοσίφωνα - ο θερμοσίφωνα έχει μεταβεί σε κατάσταση αναμονής "STAND BY". Εάν ο θερμοσίφωνα εντοπίσει σφάλματα κατά τη διάρκεια της αυτοδιάγνωσης, ολόκληρη η οθόνη θα αναβοσβήνει συνεχώς.

Ενεργοποίηση και ρύθμιση της θερμοκρασίας

Αφού πατήσετε το κουμπί  ο θερμοσίφωνα θα ανάψει και η ένδειξη θέρμανσης θα ανάψει με κόκκινο χρώμα, η τελευταία ρυθμισμένη θερμοκρασία ή η εργοστασιακή ρύθμιση ECO - 55 °C που ρυθμίστηκε κατά την πρώτη εκκίνηση, θα αναβοσβήνει με κόκκινο χρώμα για 2 δευτερόλεπτα. Μετά από 2 δευτερόλεπτα, η ένδειξη της ρυθμισμένης θερμοκρασίας θα σβήσει και θα ξεκινήσει η θέρμανση του νερού. Στην οθόνη θα εμφανιστεί η θερμοκρασία του νερού στο θερμοσίφωνα.

Για ευκολία στη χρήση, μπορείτε να ρυθμίσετε μια μεμονωμένη λειτουργία θερμοκρασίας θέρμανσης νερού, η οποία θα διατηρεί τον θερμοσίφωνα κάθε φορά που τον ενεργοποιείτε.

Πατήστε SET και κρατήστε πατημένο για 3 δευτερόλεπτα. Η ρυθμισμένη θερμοκρασία θα αναβοσβήσει (35°C). Εάν συμφωνείτε, πατήστε γρήγορα SET μία φορά για επιβεβαίωση. Η θερμοκρασία ρυθμίζεται στη μνήμη του οργάνου και θα ξεκινήσει η θέρμανση. Εάν θέλετε να αλλάξετε τη θερμοκρασία, χρησιμοποιήστε τα πλήκτρα "+" ή "-". Αφού επιλέξετε τη θερμοκρασία θα αναβοσβήσει για 3 δευτερόλεπτα για επιβεβαίωση, πατήστε γρήγορα SET μία φορά. Εάν δεν πατήσετε SET για επιβεβαίωση, η θερμοκρασία που επιλέξατε θα αναβοσβήνει για 3 δευτερόλεπτα, μετά την οποία θα ξεκινήσει η θέρμανση, η επιλεγμένη θερμοκρασία θα

διατηρηθεί μόνο μέχρι να απενεργοποιηθεί ο θερμοσίφοντας από τον χρήστη. Η επιλεγμένη θερμοκρασία δεν θα απομνημονευθεί.

Κρατώντας το πλήκτρο SET για 5 δευτερόλεπτα (ή 7 δευτερόλεπτα) και επαναλαμβάνοντας όλες τις παραπάνω ενέργειες, είναι δυνατό να ρυθμίσετε δύο ακόμη τιμές θερμοκρασίας στη μνήμη της συσκευής. Η τελευταία ρύθμιση θερμοκρασίας είναι η ίδια και για τις τρεις λειτουργίες μνήμης. Κατά τη θέρμανση, εμφανίζεται η θερμοκρασία του νερού στο θερμοσίφωνα.

Η ένδειξη θερμοκρασίας στην οθόνη δείχνει τη θερμοκρασία του νερού στο θερμοσίφωνα. Για να δείτε ποια θερμοκρασία έχει ρυθμιστεί κατά τη θέρμανση, πατήστε το SET μία φορά γρήγορα και η ρυθμισμένη θερμοκρασία θα εμφανιστεί για 3 δευτερόλεπτα.

Μετά από 3 δευτερόλεπτα, θα εμφανιστεί η θερμοκρασία του νερού στο θερμοσίφωνα. Όταν η θερμοκρασία φτάσει στην καθορισμένη θερμοκρασία, η ένδειξη «HEATING» θα σβήσει. Λειτουργία αντιψυκτικού

Για να μην παγώσει το νερό, ο θερμοσίφοντας ξεκινά αυτόματα τη θέρμανση όταν η θερμοκρασία του νερού στην εσωτερική δεξαμενή πέσει κάτω από τους 6°C. Όταν η θερμοκρασία φτάσει τους 10°C, η θέρμανση σταματά. Η λειτουργία λειτουργεί όταν η συσκευή είναι συνδεδεμένη στο τροφοδοτικό. Διατίθεται σε σειρά FmxDL EEC.

Σε περίπτωση διακοπής ρεύματος στο δωμάτιο

1. Εάν το ρεύμα διακοπεί κατά τη θέρμανση, τότε μετά την ενεργοποίησή του ηλεκτρικού ρεύματος στο δωμάτιο, ο θερμοσίφοντας θα ενεργοποιηθεί για θέρμανση, όπως είχε ρυθμιστεί πριν.
2. Εάν ο θερμοσίφοντας δεν ήταν ενεργοποιημένος, βρισκόταν σε λειτουργία "STAND BY", μετά την ενεργοποίηση του ηλεκτρικού ρεύματος στο δωμάτιο, ο θερμοσίφοντας δεν θα ξεκινήσει να θερμαίνεται.

Εγκατάσταση του θερμοσίφωνα



Φροντίστε να χρησιμοποιήσετε τα γνήσια ανταλλακτικά που παρέχονται από τον κατασκευαστή για να εγκαταστήσετε το θερμοσίφωνα, το οποίο μπορεί να αντέξει το βάρος του γεμάτο με νερό. Μην τοποθετείτε τον θερμοσίφωνα στη βάση μέχρι να είστε σίγουροι ότι η βάση είναι ασφαλής. Διαφορετικά, ο θερμοσίφοντας μπορεί να πέσει από τον τοίχο και να τον καταστρέψει ή να προκαλέσει σοβαρό τραυματισμό. Όταν επιλέγετε θέσεις για τρύπες για τη στερέωση των μπουλονιών, βεβαιωθείτε ότι υπάρχει κενό τουλάχιστον 0,2 m και στις δύο πλευρές των τοιχωμάτων του μπάνιου ή άλλου δωματίου προς το σώμα του

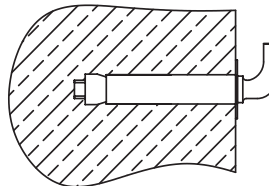
θερμοσίφωνα και τουλάχιστον 0,5 m στην πλευρά σύνδεσης του σωλήνα, για να διευκολύνετε την πρόσβαση κατά την εκτέλεση συντήρησης εάν είναι απαραίτητο.

Εάν ο θερμοσίφοντας λαμβάνει νερό απευθείας από πηγάδια, πηγάδια ή πύργους νερού, για λειτουργία είναι απαραίτητο να χρησιμοποιήσετε ένα χοντρό φίλτρο για το κρύο νερό που εισέρχεται στον θερμοσίφωνα.

Μπορείτε να αγοράσετε ένα χοντρό φίλτρο από εξειδικευμένα καταστήματα. Εάν το χοντρό φίλτρο δεν είναι εγκατεστημένο, η εγγύηση προϊόντος δεν ισχύει.

1. Ο θερμοσίφοντας πρέπει να εγκατασταθεί σε σταθερή κάθετη επιφάνεια (στον τοίχο).
2. Αφού επιλέξετε τη θέση τοποθέτησης, κάντε δύο τρύπες στον τοίχο του απαιτούμενου βάθους και τοποθετήστε τις βίδες, γυρίστε το άγκιστρο, σφίξτε τα παξιμάδια με ασφάλεια και, στη συνέχεια, τοποθετήστε το θερμοσίφωνα (βλ. Εικ. 5).

Άγκυρα τοποθέτησης για εγκατάσταση θερμοσίφωνα



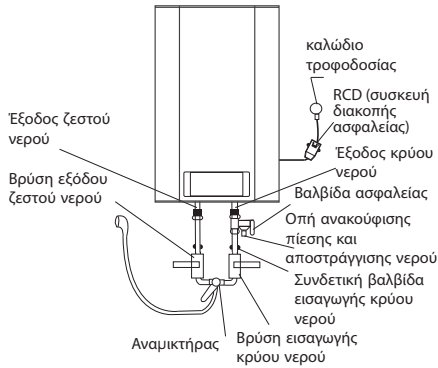
Εικ. 5

Όγκος, L	27	46	73	93
Απόσταση μεταξύ των οπών, mm	196			

3. Εάν το μπάνιο είναι πολύ μικρό για να εγκαταστήσετε τον θερμοσίφωνα, μπορεί να εγκατασταθεί σε οποιοδήποτε άλλο δωμάτιο προστατευμένο από το άμεσο ηλιακό φως και τη βροχή. Ωστόσο, για να μειωθούν οι απώλειες θερμότητας στις σωληνώσεις, ο θερμοσίφοντας πρέπει να εγκατασταθεί όσο το δυνατόν πιο κοντά στον τόπο χρήσης του νερού.
4. Κατά τη σύνδεση στο σύστημα παροχής νερού, είναι απαραίτητο να παρέχετε και να εφαρμόζετε την εγκατάσταση μεμονωμένων βαλβίδων διακοπής στη γραμμή παροχής κρύου νερού στη θερμάστρα νερού και στη γραμμή εξόδου ζεστού νερού. Μεμονωμένες βαλβίδες διακοπής για ζεστό και κρύο νερό πρέπει να είναι κλειστές κατά τη διάρκεια της περιόδου μη χρήσης του θερμοσίφωνα, συντήρησης και τεχνολογικών εργασιών στη γραμμή παροχής νερού. Η

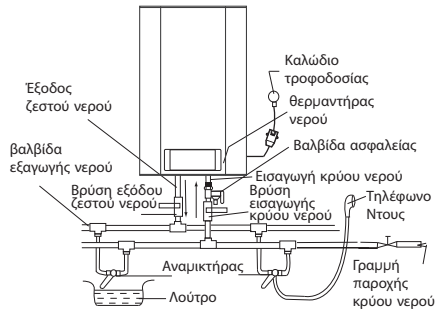
εγκατάσταση και η σωστή χρήση των βαλβίδων απενεργοποίησης είναι απαραίτητη προϋπόθεση για την παροχή υπηρεσιών εγγύησης, καθώς και εγγύηση για μακρά και απρόσκοπτη λειτουργία του θερμοσίφωνα.

Σύνδεση με την παροχή νερού



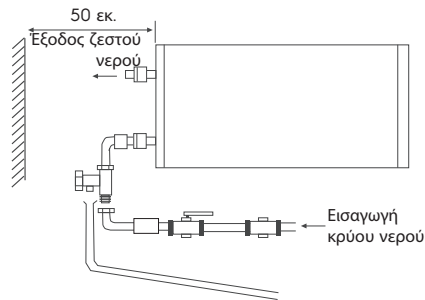
Εικ. 6

1. Για τη σύνδεση του θερμοσίφωνα με την παροχή νερού, χρησιμοποιούνται σωλήνες με διάμετρο G1/2.
2. Σύνδεση βαλβίδας ελέγχου ασφαλείας: η βαλβίδα πρέπει να εγκατασταθεί στην είσοδο κρύου νερού (βεβαιωθείτε ότι ο εύκαμπτος σωλήνας αποστράγγισης είναι εγκατεστημένος, στη θύρα πίεσης και αποστράγγισης νερού και κατευθύνεται προς την ειδική αποστράγγιση για την απομάκρυνση του νερού).
3. Προκειμένου να αποφευχθούν διαρροές κατά τη σύνδεση του αγωγού, πρέπει να εγκατασταθούν πλήρεις λαστιχένιες φλάντζες στα άκρα των κοχλιωτών συνδέσεων.
4. Εάν είναι απαραίτητο να εφαρμόσετε ένα σύστημα παροχής νερού για πολλά σημεία νερού, χρησιμοποιήστε τη μέθοδο σύνδεσης (βλ. Εικ. 7).
5. Εάν η πίεση της γραμμής μπορεί να υπερβεί τα 5 bar, βεβαιωθείτε ότι έχετε εγκαταστήσει έναν μειωτήρα πίεσης νερού. Ελλείψει μειωτήρα πίεσης και υπερβολικής πίεσης στη γραμμή κρύου νερού, η συσκευή δεν επισκευάζεται με την εγγύηση.



Εικ. 7

6. Η εγκατάσταση των θερμοσίφωνων της σειράς Fmx, Fmx DL διευκολύνεται σημαντικά από την ευκαρία να τους τοποθετήσετε τόσο κάθετα, όσο και οριζόντια σε οποιοδήποτε σημείο του σπιτιού σας, σε θερμοιζόμενο δωμάτιο. Συνιστάται η εγκατάσταση του θερμοσίφωνα όσο το δυνατόν πιο κοντά στο σημείο χρήσης του ζεστού νερού, γιατί όσο μικρότερο είναι η απώλεια θερμότητας. Κατά την οριζόντια εγκατάσταση του θερμοσίφωνα, οι σωλήνες παροχής πρέπει να βρίσκονται στα αριστερά. Κατά την εγκατάσταση του θερμοσίφωνα δίπλα σε τοίχο, αφήστε το συνιστώμενο διάκενο για συντήρηση. Μην τοποθετείτε τον θερμοσίφωνα σε οριζόντια επιφάνεια και κοντά στο δάπεδο. (βλ. Εικ. 8)



Εικ. 8

Ηλεκτρική σύνδεση

Όλοι οι θερμοσίφωνες αυτής της σειράς έχουν σχεδιαστεί για σύνδεση σε ηλεκτρικό δίκτυο με μονοφασική τάση 220/240 V. Πριν από τη σύνδεση, βεβαιωθείτε ότι η παροχή ρεύματος στο σημείο σύνδεσης ταιριάζει με τις παραμέτρους

που αναγράφονται στην πινακίδα τύπου της συσκευής.

Κατά την εγκατάσταση του θερμοσίφωνα, πρέπει να τηρείτε τους ισχύοντες κανονισμούς ηλεκτρικής ασφάλειας.

Κατά την εγκατάσταση ενός θερμοσίφωνα σε μπάνιο ή τουαλέτα, πρέπει να λαμβάνονται υπόψη οι περιορισμοί που σχετίζονται με την ύπαρξη απαγορευμένων και προστατευτικών όγκων.

Ο απαγορευμένος όγκος — είναι ο χώρος που περιορίζεται από εφαιπομενικά και κατακόρυφα επίπεδα σε σχέση με τις εξωτερικές άκρες της μπανιέρας, τουαλέτας ή ντους και από ένα επίπεδο που βρίσκεται πάνω από αυτά ή πάνω από το δάπεδο, εάν τα υδραυλικά είναι τοποθετημένα στο πάτωμα, σε ύψος 2.25 m.

Ο Προστατευτικός όγκος — είναι ο χώρος, τα οριζόντια επίπεδα οριοθέτησης του οποίου συμπίπτουν με τα επίπεδα του απαγορευμένου όγκου, και τα κατακόρυφα επίπεδα απέχουν 1 m από τα αντίστοιχα επίπεδα του απαγορευμένου όγκου.

Υπολογισμένα δεδομένα για χαλκό Επιλογή διατομής καλωδίου (σύρμα) με ισχύ και μήκος από χαλκό, $U = 220 \text{ V}$, μία φάση

P, kW	1	2	3	3,5	4	6	8
I, A	4,5	9,1	13,6	15,9	18,2	27,3	36,4
Διατομή ενός αγωγίου αγωγού, mm ²	1	1	1,5	2,5	2,5	4	6
Μέγιστο επιτρεπόμενο μήκος καλωδίου στην καθορισμένη διατομή, m	34,6	17,3	17,3	24,7	21,6	23	27

Λειτουργία

Πλήρωση νερού

Μετά την εγκατάσταση του θερμοσίφωνα, κλείστε την είσοδο ζεστού νερού στο διαμέρισμα, ανοίξτε τη βαλβίδα παροχής κρύου νερού. Ανοίξτε τη βρύση ζεστού νερού στο μίξερ. Μόλις γεμίσει ο θερμοσίφωνα, θα ρέει νερό από αυτό, κλείστε τη βρύση ζεστού νερού στο μίξερ και ελέγξτε για διαρροές. Εάν δεν είστε βέβαιοι εάν υπάρχει νερό στο θερμοσίφωνα, μην το συνδέσετε στο δίκτυο.

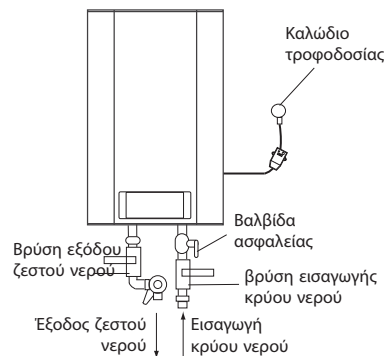
Προφυλάξεις

Ρύθμιση της θερμοκρασίας

Το εύρος ρύθμισης θερμοκρασίας του θερμοσίφωνα είναι από 30 °C (ελάχιστο) έως 75 °C (μέγιστο). Στα μοντέλα της σειράς Fmx EEC / Fmx DL EEC, η θερμοκρασία ρυθμίζεται χρησιμοποιώντας το κουμπί ελέγχου θερμοκρασίας στο κάτω κάλυμμα

της συσκευής.

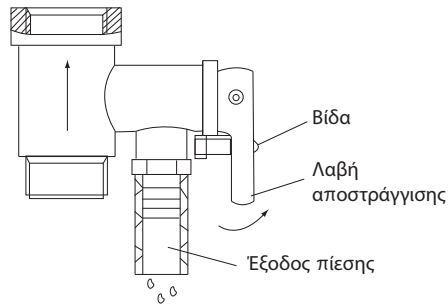
1. Η πρίζα πρέπει να είναι γειωμένη με ασφάλεια. Το ονομαστικό ρεύμα της πρίζας δεν πρέπει να είναι μικρότερο από 10 A. Η πρίζα και το βύσμα πρέπει να είναι πάντα στεγνά για να αποφευχθούν βραχυκυκλώματα στο δίκτυο. Ελέγχετε περιοδικά ότι το βύσμα έχει τοποθετηθεί σταθερά στην πρίζα. Η μέθοδος δοκιμής έχει ως εξής: τοποθετήστε το βύσμα στην πρίζα, απενεργοποιήστε τον θερμοσίφωνα μετά από μισή ώρα και αφαιρέστε το βύσμα από την πρίζα. Σημειώστε εάν το φως είναι ζεστό στην αφή. Αν αισθανεστε ότι το χέρι σας είναι ζεστό (σε θερμοκρασία άνω των 50 °C), παρακαλούμε να αντικαταστήσετε την πρίζα με άλλη, όπου το βύσμα θα προσαρμόζεται άνετα. Αυτό θα βοηθήσει στην αποφυγή πυρκαγιάς, ζημιάς στο βύσμα ή άλλων ατυχημάτων λόγω κακής επαφής.
2. Ο τοίχος στον οποίο είναι εγκατεστημένος ο θερμοσίφωνα πρέπει να είναι σχεδιασμένος για φορτίο που είναι διπλάσιο του συνολικού βάρους του θερμοσίφωνα γεμάτο με νερό. Διαφορετικά, θα πρέπει να ληφθούν πρόσθετα μέτρα για την ενίσχυση του προϊόντος.
3. Η βαλβίδα ασφαλείας πρέπει να τοποθετηθεί στην είσοδο νερού (βλ. Εικ. 9).



Εικ. 9

4. Κατά τη χρήση του θερμοσίφωνα για πρώτη φορά (ή όταν το χρησιμοποιείτε για πρώτη φορά μετά από συντήρηση ή καθαρισμό), μην ενεργοποιήσετε την τροφοδοσία στο θερμοσίφωνα νερού μέχρι να είναι τελείως γεμάτη με νερό. Όταν γεμίσει τη δεξαμενή του θερμοσίφωνα, ανοίξτε τη βρύση ζεστού νερού για να απελευθερώσετε αέρα. Μόλις η δεξαμενή γεμίσει με νερό και νερό ρέει από τη βρύση, μπορείτε να κλείσετε την βρύση.
5. Όταν το νερό θερμαίνεται, το νερό μπορεί να

- βγει από την έξοδο πίεσης της βαλβίδας ασφαλείας. Αυτό είναι φυσιολογικό. Ωστόσο, σε περίπτωση μεγάλων διαρροών, επικοινωνήστε με τον τεχνικό σέρβις. Η έξοδος πίεσης δεν πρέπει να φράσσεται σε καμία περίπτωση. Διαφορετικά, μπορεί να προκαλέσει ζημιά στο θερμοσίφωνα.
6. Πρέπει να εγκατασταθεί σωλήνας αποστράγγισης στην έξοδο πίεσης στη βαλβίδα ασφαλείας και να αποστραγγιστεί σε περίπτωση αποστράγγισης νερού. Ο σωλήνας αποστράγγισης που είναι συνδεδεμένος στην έξοδο πίεσης πρέπει να κατευθύνεται προς τα κάτω.
 7. Δεδομένου ότι η θερμοκρασία του νερού στο εσωτερικό του θερμοσίφωνα μπορεί να φτάσει τους 75 °C, το ζεστό νερό δεν πρέπει να εισέρχεται στο ανθρώπινο σώμα. Για να αποφύγετε εγκαύματα, μπορείτε να ρυθμίσετε τη θερμοκρασία του νερού χρησιμοποιώντας τη τη βρύση του μίκτη.
 8. Σε περίπτωση παρατεταμένης απουσίας, πραγματοποιώντας επισκευές, τεχνολογικές και προληπτικές εργασίες στη γραμμή παροχής νερού ή μακροχρόνια μη χρήση του θερμοσίφωνα, είναι επιτακτική ανάγκη να κλείσετε τις μεμονωμένες βαλβίδες διακοπής στη γραμμή παροχής κρύου νερού στη θερμάστρα νερού και στη γραμμή εξόδου ζεστού νερού και επίσης να απενεργοποιήσετε τον θερμοσίφωνα και να τον αποσυνδέσετε από την παροχή ρεύματος αφαιρώντας το βύσμα από την πρίζα.
 9. Εάν χρησιμοποιείτε θερμοσίφωνα σε δωμάτια με κεντρική παροχή νερού, κατά τη διάρκεια της διακοπής λειτουργίας ζεστού νερού, κλείστε τη βαλβίδα διακοπής της παροχής ζεστού νερού από τις γραμμές τροφοδοσίας (ανυψωτής).
 10. Μπορείτε να αποστραγγίσετε το νερό από το θερμοσίφωνα χρησιμοποιώντας τη βαλβίδα ασφαλείας, ενώ διακόπτετε την παροχή κρύου νερού στον θερμοσίφωνα και ανοίγοντας τη λαβή αποστράγγισης στη βαλβίδα ασφαλείας. Σε αυτήν την περίπτωση, το νερό από τον θερμοσίφωνα πρέπει να αποστραγγιστεί μέσω της οπής αποστράγγισης της βαλβίδας στο σύστημα αποχέτευσης (κατά την αποστράγγιση του νερού, ανοίξτε τη βρύση ζεστού νερού στο μίκτη για να απελευθερώσετε αέρα).



Εικ. 10

11. Σε περίπτωση βλάβης του εύκαμπτου καλωδίου τροφοδοσίας, αντικαταστήστε το με παρόμοιο που παρέχεται από τον κατασκευαστή. Οι αντικαταστάσεις πρέπει να πραγματοποιούνται από έμπειρους τεχνικούς σέρβις.
12. Εάν ένα από τα μέρη του θερμοσίφωνα έχει υποστεί ζημιά, είναι απαραίτητο να επικοινωνήσετε με ειδικούς συντήρησης για επισκευές. Χρησιμοποιείτε μόνο ανταλλακτικά που παρέχονται από τον κατασκευαστή.
13. Αυτή η συσκευή δεν προορίζεται για χρήση από άτομα (συμπεριλαμβανομένων των παιδιών) με μειωμένες σωματικές ή πνευματικές ικανότητες και έλλειψη δεξιοτήτων ή γνώσεων, εκτός εάν παρουσιαστεί ή ενημερωθεί σωστά από άτομο που είναι υπεύθυνο για την ασφάλειά του.
14. Ο θερμοσίφωνας πρέπει να αποστραγγίζεται εντελώς από νερό εάν δεν θα χρησιμοποιηθεί για μεγάλο χρονικό διάστημα ή η θερμοκρασία στο δωμάτιο όπου είναι εγκατεστημένη μπορεί να πέσει κάτω από τους 0 °C.

Αντιμετώπιση προβλημάτων

Αρνήσεις	Αιτίες	Εξάλειψη
Η ένδειξη θερμότητας είναι απενεργοποιημένη	Βλάβη του ρυθμιστή θερμοκρασίας	Επικοινωνήστε με τεχνικούς συντήρησης για επισκευή
Το νερό δεν προέρχεται από τη βρύση ζεστού νερού	<ol style="list-style-type: none"> 1. Η παροχή νερού μέσω σωλήνες νερού είναι κλειστή 2. Η πίεση του νερού είναι πολύ χαμηλή 3. Η βαλβίδα εισαγωγής νερού είναι κλειστή 	<ol style="list-style-type: none"> 1. Περιμένετε να συνεχιστεί η παροχή νερού 2. Χρησιμοποιήστε το θερμοσίφωνα όταν η πίεση του νερού αυξηθεί ξανά 3. Ανοίξτε τη βρύση εισόδου νερού
Η θερμοκρασία του νερού υπερβαίνει το επιτρεπόμενο επίπεδο	βλάβης του συστήματος ελέγχου θερμοκρασίας	<ol style="list-style-type: none"> 1. Είναι απαραίτητο να απενεργοποιήσετε αμέσως το θερμοσίφωνα από το δίκτυο 2. Επικοινωνήστε με το προσωπικό συντήρησης για επισκευές
Το νερό δεν θερμαίνεται	Η θέρμανση δεν είναι ενεργοποιημένη	<p>Μετακινήστε το διακόπτη ON / OFF στη θέση low</p> <ol style="list-style-type: none"> 1. Αποσυνδέστε το θερμοσίφωνα από το δίκτυο 2. Κρυώστε το θερμοσίφωνα ανοίγοντας μια βρύση με ζεστό νερό και διατηρώντας την ανοιχτή μέχρι να μειωθεί η θερμοκρασία του νερού 3. Αφαιρέστε το κάλυμμα 4. Πατήστε το μικρό κουμπί στο σώμα διακόπτης ασφαλείας 5. Αντικαταστήστε το κάλυμμα και επανασυνδέστε τη συσκευή στο δίκτυο 6. Εάν το πρόβλημα παραμένει, επικοινωνήστε με τον τεχνικό σέρβις
	Ο θερμικός αισθητήρας προστασίας έχει ενεργοποιηθεί	Επικοινωνήστε με έναν ειδικό σέρβις
	Το θερμαντικό στοιχείο έχει υποστεί ζημιά	Επικοινωνήστε με έναν ειδικό σέρβις
	Ελαττωματική ηλεκτρονική πλακέτα	Επικοινωνήστε με έναν ειδικό σέρβις
Διαρροή νερού	Ελαττωματικό σφράγιση σωλήνας	αντικαταστήστε τη σφράγιση
Όλες οι ενδείξεις αναβοσβήνουν για περισσότερο από 10 δευτερόλεπτα	Πιθανά σφάλματα στη λειτουργία του θερμοσίφωνα	Απενεργοποιήστε τον θερμοσίφωνα από το δίκτυο και ενεργοποιήστε τον ξανά. Εάν η οθόνη αναβοσβήνει ξανά για περισσότερο από 10 δευτερόλεπτα, καλέστε τεχνικό σέρβις

Τεχνικά χαρακτηριστικά

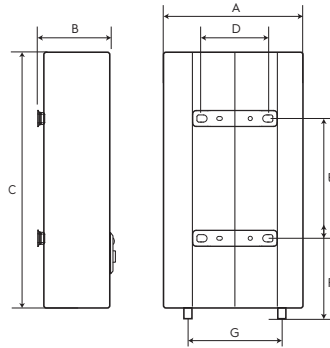
Μοντέλο	EWB 30 Fmx EEC	EWB 50 Fmx EEC	EWB 80 Fmx EEC	EWB 100 Fmx EEC
Όγκος, l	27	46	73	93
Ονομαστική ισχύς, W	2000	2000	2000	2000
Τάση τροφοδοσίας, V ~ Hz	220-240~50	220-240~50	220-240~50	220-240~50
Τρέχουσα δύναμη, A	9.09	9.09	9.09	9.09
Ελάχιστη πίεση, Bar	0,8	0,8	0,8	0,8
Μέγιστη πίεση *, Bar	7.5	7.5	7.5	7.5
Μέγιστη θερμοκρασία νερού, °C	75	75	75	75
Κατηγορία ηλεκτρικής προστασίας	I τάξη	I τάξη	I τάξη	I τάξη
Βαθμός προστασίας	IPX4	IPX4	IPX4	IPX4
Χρόνος θέρμανσης από 10 °C έως 75 °C **, ελάχ.	71.4	119.04	190.8	238.8
Διαστάσεις συσκευής (Π*Υ*B), χιλιοστά	344x545x359	344x825x359	454x729x469	454x879x469
Διαστάσεις συσκευασίας (Π*Υ*B), χιλιοστά	429x640x429	429x920x429	539x849x539	539x999x539
Καθαρό/Μεικτό βάρος, σε κιλά	16.08/17.75	22.08/24.09	27.17/31.21	31.76/35.8

Μοντέλο	EWB 30 FmxDL EEC	EWB 50 FmxDL EEC	EWB 80 FmxDL EEC	EWB 100 FmxDL EEC
Όγκος, l	27	46	73	93
Ονομαστική ισχύς, W	2000	2000	2000	2000
Τάση τροφοδοσίας, V ~ Hz	220-240~50	220-240~50	220-240~50	220-240~50
Τρέχουσα δύναμη, A	9.09	9.09	9.09	9.09
Ελάχιστη πίεση, Bar	0,8	0,8	0,8	0,8
Μέγιστη πίεση *, Bar	7.5	7.5	7.5	7.5
Μέγιστη θερμοκρασία νερού, °C	75	75	75	75
Κατηγορία ηλεκτρικής προστασίας	I τάξη	I τάξη	I τάξη	I τάξη
Βαθμός προστασίας	IPX4	IPX4	IPX4	IPX4
Χρόνος θέρμανσης από 10 °C έως 75 °C **, ελάχ.	71.4	119.04	190.8	238.8
Διαστάσεις συσκευής (Π*Υ*B), χιλιοστά	344x545x359	344x825x359	454x729x469	454x879x469
Διαστάσεις συσκευασίας (Π*Υ*B), χιλιοστά	429x640x429	429x920x429	539x849x539	539x999x539
Καθαρό/Μεικτό βάρος, σε κιλά	16.06/17.65	22.09/24.1	24.1/28.22	31.77/35.31

* Στη μέγιστη πίεση, η περίσσεια πίεσης απελευθερώνεται μέσω της βαλβίδας ασφαλείας. Εάν η πίεση παροχής νερού υπερβαίνει τα 7.5 bar (ονομαστική πίεση λειτουργίας), πρέπει να εγκατασταθεί μια βαλβίδα μείωσης της πίεσης.

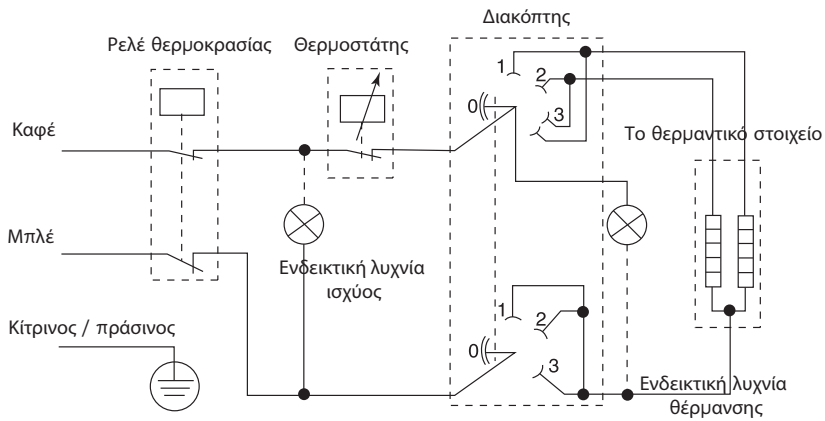
** Ο χρόνος θέρμανσης καθορίζεται σε πλήρη ισχύ θέρμανσης και υπολογίζεται υπό ιδανικές περιβαλλοντικές συνθήκες. Ο κατασκευαστής διατηρεί το δικαίωμα να κάνει αλλαγές.

Διαστάσεις

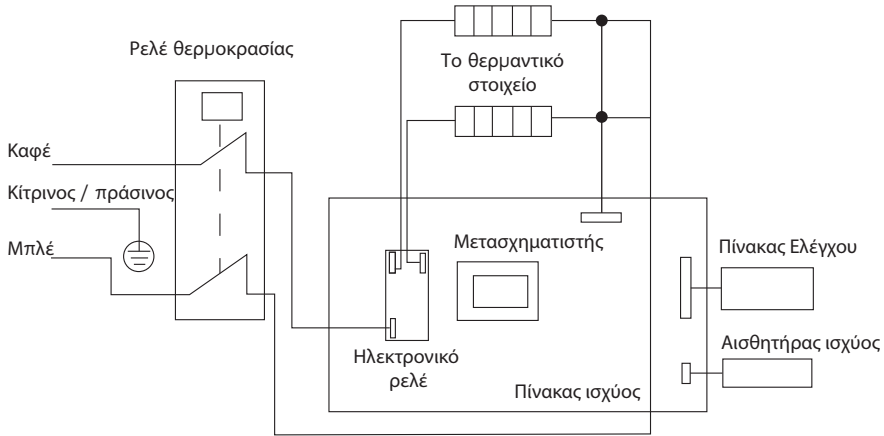


	EWH 30 FMX EEC/FMX DL EEC	EWH 50 FMX EEC/FMX DL EEC	EWH 80 FMX EEC/FMX DL EEC	EWH 100 FMX EEC/FMX DL EEC
A, mm	344	344	454	454
B, mm	359	359	469	469
C, mm	545	825	729	879
D, mm	196	196	196	196
E, mm	253	401	297	447
F, mm	174	172	281	278
G, mm	100	100	100	100

Διάγραμμα συνδεσμολογίας EWH Fmx EEC



Διάγραμμα συνδεσμολογίας EWH FmxDL EEC



Φροντίδα και συντήρηση



Προσοχή!

Απουσυνδέετε πάντα το θερμοσίφωνα από το δίκτυο πριν από τη συντήρηση.

Για να εξασφαλιστεί μεγάλη διάρκεια ζωής και να διατηρηθεί η τρέχουσα εγγύηση για την εσωτερική δεξαμενή που περιέχει νερό, είναι απαραίτητο να πραγματοποιηθεί συντήρηση από ειδικευμένους ειδικούς το αργότερο ένα χρόνο μετά την έναρξη λειτουργίας, ο οποίος θα πρέπει να περιλαμβάνει έναν υποχρεωτικό έλεγχο για την παρουσία κλίμακας στο θερμαντικό στοιχείο και την εσωτερική κοιλότητα της δεξαμενής που περιέχει νερό, καθώς και την κατάσταση της ανόδου μαγνησίου. Σε περίπτωση σοβαρής φθοράς, η άνοδος του μαγνησίου πρέπει να αντικατασταθεί. Η εγγύηση για το δοχείο που περιέχει νερό και το θερμαντικό στοιχείο σε περίπτωση φθαρμένης ανόδου (υπολειμματικός όγκος μικρότερος από 30% του αρχικού) δεν είναι έγκυρη.

Με βάση τα αποτελέσματα της επιθεώρησης του θερμοσίφωνα κατά την πρώτη συντήρηση, καθορίζεται η συχνότητα τακτικής συντήρησης, η οποία πρέπει να τηρείται καθ' όλη τη διάρκεια της λειτουργίας της συσκευής. Σε περίπτωση αλλαγής στη διεύθυνση λειτουργίας της συσκευής, καθώς και αλλαγές στις συνθήκες λειτουργίας (ποιότητα νερού) που αποκαλύπτονται ως αποτέλεσμα της τακτικής συντήρησης, η συχνότητα συντήρησης μπορεί να αναθεωρηθεί.

Η επιβεβαίωση της συντήρησης είναι ένα ολοκληρωμένο στοιχείο στον πίνακα συντήρησης που πραγματοποιήθηκε.

Σε περιοχές με εξαιρετικά σκληρό νερό, με νερό που περιέχει διαβρωτικές ακαθαρσίες, μπορεί να είναι απαραίτητο να πραγματοποιείται αυτή η δοκιμή πιο συχνά. Για να το κάνετε αυτό, πρέπει να λάβετε τις κατάλληλες πληροφορίες από έναν ειδικό ή απευθείας στην εταιρεία που παρέχει παροχή νερού! Σε περίπτωση που δεν έχει πραγματοποιηθεί συντήρηση, ή με πλήρη φθορά / απουσία της ανόδου μαγνησίου στον θερμοσίφωνα, η εγγύηση για τον θερμοσίφωνα ακυρώνεται.



Προσοχή!

Η συσσώρευση κλίμακας στο θερμαντικό στοιχείο και η παρουσία ιζημάτων στην εσωτερική δεξαμενή μπορεί να οδηγήσει σε βλάβη του θερμοσίφωνα και αποτελεί τη βάση για την άρνηση της υπηρεσίας εγγύησης. Η τακτική συντήρηση είναι ένα προληπτικό μέτρο και δεν καλύπτεται από την εγγύηση.

Δεν επιτρέπεται η εγκατάσταση διακοπών, πρίζων και συσκευών φωτισμού σε απαγορευμένο όγκο. Απαγορεύεται η εγκατάσταση διακοπών στον προστατευτικό όγκο, ωστόσο, είναι δυνατή η εγκατάσταση πρίζων με γείωση.

Ο θερμοσίφωνα πρέπει να εγκατασταθεί εκτός του απαγορευμένου όγκου έτσι ώστε να μην εκτίθεται σε πιτσιλιές νερού. Η συσκευή πρέπει να συνδεθεί στο δίκτυο μέσω μιας ειδικής πρίζας με γείωση συνδεδεμένη σε έναν ατομικό διακόπτη κυκλώματος στον πίνακα διανομής.

Για να εξασφαλιστεί η ασφαλής λειτουργία του θερμοσίφωνα, πρέπει να εγκατασταθεί ένα αυτόματο μηχάνημα κατάλληλης βαθμολογίας.

Η ηλεκτρική σύνδεση πρέπει να περιλαμβάνει γείωση. Το βύσμα του καλωδίου τροφοδοσίας του θερμοσίφωνα με ειδικό βύσμα γείωσης θα πρέπει να εισάγεται μόνο στην πρίζα που. Ρυθμιστής θερμοκρασίας θέρμανσης. Για καθημερινή χρήση, συνιστάται να διατηρείτε συνδεδεμένο το θερμοσίφωνα, καθώς ο θερμοστάτης ενεργοποιεί τη θέρμανση μόνο όταν απαιτείται για τη διατήρηση της καθορισμένης θερμοκρασίας. Αποστράγγιση. Ο θερμοσίφωνα πρέπει να αποστραγγίζεται εντελώς από νερό εάν δεν θα χρησιμοποιηθεί για μεγάλο χρονικό διάστημα ή η θερμοκρασία στο δωμάτιο όπου είναι εγκατεστημένη μπορεί να πέσει κάτω από τους 0 °C. Η αποστράγγιση μπορεί να γίνει με βαλβίδα ασφαλείας, με την οποία είναι δυνατή η διαρροή από κάτω από το στέλεχο της βαλβίδας



Προσοχή!

Για την αποστράγγιση, ένα μπλουζάκι με βαλβίδα μπορεί να παρέχεται μεταξύ της βαλβίδας και του χιτωνίου.

Πριν αποστραγγίσετε το θερμοσίφωνα, θυμηθείτε να:

- αποσυνδέστε το θερμοσίφωνα από το δίκτυο.
- Κλείστε τη βαλβίδα εισόδου νερού.
- ανοίξτε τη βρύση ζεστού νερού.

Συντηρείτε τακτικά το θερμοσίφωνα σας με τη βοήθεια ειδικών από εξουσιοδοτημένο κέντρο σέρβις.



Προσοχή!

Μην αφαιρείτε ποτέ το κάλυμμα του θερμοσίφωνα χωρίς να αποσυνδέετε πρώτα το θερμοσίφωνα από το δίκτυο.

Η υπηρεσία εγγύησης εκτελείται σύμφωνα με τις υποχρεώσεις εγγύησης που αναφέρονται στην κάρτα εγγύησης. Ο κατασκευαστής διατηρεί το δικαίωμα να κάνει αλλαγές στο σχεδιασμό και τα χαρακτηριστικά της συσκευής, χωρίς προηγούμενη ειδοποίηση.

Μεταφορά και αποθήκευση

Οι θερμοσίφωνα στη συσκευασία του κατασκευαστή μπορούν να μεταφερθούν από όλους τους τύπους καλυμμένων μεταφορών σύμφωνα με τους κανόνες για τη μεταφορά εμπορευμάτων που ισχύουν για αυτόν τον τύπο μεταφοράς. Συνθήκες μεταφοράς σε θερμοκρασίες από μείον 50 έως και συν 50 °C και σε σχετική υγρασία έως και 80% σε συν 25 °C).

Κατά τη μεταφορά, πρέπει να αποκλείεται οποιαδή-

ποτε πιθανή πρόσκρουση και μετακίνηση συσκευασιών με θερμοσίφωνα μέσα στο όχημα. Μεταφέρετε και σε στοιβα σύμφωνα με τις πινακίδες χειρισμού που αναγράφονται στη συσκευασία. Οι θερμοσίφωνα πρέπει να αποθηκεύονται στη συσκευασία του κατασκευαστή υπό συνθήκες αποθήκευσης από + 1 °C έως + 40 °C και σχετική υγρασία έως και 80% στους 25 °C).

Ανακύκλωση



Μια χρησιμοποιημένη συσκευή δεν μπορεί να απορριφθεί με οικιακά απορρίμματα (2012/19/EU)

Υποχρεώσεις εγγύησης

Η υπηρεσία εγγύησης εκτελείται σύμφωνα με τους όρους που καθορίζονται στην ενότητα "Εγγύηση"

- Εγγύηση:**
- Η περίοδος εγγύησης για το προϊόν είναι δύο χρόνια από την ημερομηνία αγοράς. Εάν προκύψουν ελαττώματα λόγω ελαττωμάτων υλικών και/ή κατασκευής κατά τη διάρκεια αυτής της διετούς περιόδου εγγύησης, το προϊόν θα επισκευαστεί ή θα αντικατασταθεί.
 - Δωρεάν επισκευή ή αντικατάσταση είναι δυνατή μόνο εάν παρέχονται πειστικά αποδεικτικά στοιχεία, για παράδειγμα μια απόδειξη που επιβεβαιώνει ότι η ημέρα που ζητήθηκε η υπηρεσία είναι εντός της περιόδου εγγύησης.
 - Η εγγύηση δεν καλύπτει προϊόντα και/ή μέρη του προϊόντος που υπόκεινται σε φθορά, τα οποία μπορούν να θεωρηθούν αναλώσιμα από τη φύση τους και τα οποία είναι κατασκευασμένα από γυαλί.
 - Η εγγύηση είναι άκυρη εάν το ελάττωμα προκαλείται από ζημιά που προκαλείται από ακατάλληλη χρήση, κακή συντήρηση (για παράδειγμα, η βλάβη προκλήθηκε από ξένα αντικείμενα ή υγρά που εισέρχονταν στο προϊόν) ή εάν πραγματοποιήθηκαν αλλαγές ή επισκευές από άτομα που δεν έχουν εξουσιοδοτηθεί από τον Κατασκευαστή.
 - Για τη σωστή χρήση του προϊόντος, ο χρήστης πρέπει να τηρεί αυστηρά όλες τις οδηγίες που περιλαμβάνονται στο εγχειρίδιο χρήστη και πρέπει να απέχει από οποιαδήποτε ενέργεια ή χειραγώγηση που περιγράφεται ως ανεπιθύμητη ή που αναφέρεται στο εγχειρίδιο χρήστη.
 - Αυτοί οι περιορισμοί εγγύησης δεν επηρεάζουν τα νόμιμα δικαιώματά σας.

Υποστήριξη:

Υποστήριξη κατά τη διάρκεια και μετά την περίοδο εγγύησης είναι διαθέσιμη σε όλες τις χώρες όπου το προϊόν διανέμεται επίσημα. Επικοινωνήστε με τον πωλητή για βοήθεια.

Ημερομηνία κατασκευής

Η ημερομηνία κατασκευής αναφέρεται στο αυτοκόλλητο στο σώμα της συσκευής, και επίσης

κρυπτογραφημένο στον Code-128.
 Η ημερομηνία κατασκευής καθορίζεται ως εξής

SN XXXXXXXX XXXX XXXXXXXX XXXXX

μήνας και έτος παραγωγής

Μην αφαιρείτε και προσέξτε την ασφάλεια του σειριακού αριθμού στη συσκευή. Εάν το αυτοκόλλητο σειριακού αριθμού χαθεί ή καταστραφεί, δεν θα είναι δυνατό να αποκατασταθεί η ημερομηνία παραγωγής αν είναι απαραίτητο.

Κατασκευαστής/Εισαγωγέας: CladSwiss AG,
 Μπάνχοφστρασε, 27, 6300 Ζουγκ, Ελβετία.
 E-mail: info@cladswiss.com

Κατασκευασμένο στη Λαϊκή Δημοκρατία της Κίνας

Το Electrolux είναι εγγεγραμμένο εμπορικό σήμα, που χρησιμοποιείται με άδεια από την AB Electrolux (publ.).

Ο κατασκευαστής διατηρεί το δικαίωμα να κάνει αλλαγές στο σχεδιασμό και τα χαρακτηριστικά της συσκευής.

Το κείμενο και οι αριθμοί στην οδηγία χρήσης ενδέχεται να περιέχουν τεχνικά λάθη και τυπογραφικά λάθη.
 Οι αλλαγές στις προδιαγραφές και το εύρος μπορούν να αλλάξουν χωρίς προειδοποίηση.

Επιτρέπονται σφάλματα και τυπογραφικά λάθη σε κείμενα και αριθμούς.

Ο σχεδιασμός και τα τεχνικά δεδομένα της συσκευής ενδέχεται να διαφέρουν από αυτά που εμφανίζονται στη συσκευασία. Παρακαλούμε επικοινωνήστε με σύμβουλο πωλήσεων για περισσότερες λεπτομέρειες.

OBSAH

1. ÚVOD.....	89
2. KOMPLETNÍ SADA.....	89
3. STRUČNÝ POPIS OHŘÍVAČE VODY.....	89
4. KONTROLNÍ PANEL.....	90
5. INSTALACE OHŘÍVAČE VODY.....	92
6. PŘIPOJENÍ VODY.....	92
7. ELEKTRICKÉ PŘIPOJENÍ.....	93
8. PROVOZ.....	94
9. OPATŘENÍ.....	94
10. ODSTRAŇOVÁNÍ PROBLÉMŮ.....	96
11. SPECIFIKACE.....	97
12. ROZMĚRY.....	98
13. ELEKTRICKÉ SCHÉMA.....	98
14. PÉČE A ÚDRŽBA.....	99
15. PŘEPRAVA A SKLADOVÁNÍ.....	100
16. UTILIZACE.....	100
17. ZÁRUČNÍ PODMÍNKY.....	100
18. DATUM VÝROBY.....	100

MYSLÍME O VÁS

Děkujeme, že jste si koupili Electrolux. Vybrali jste si produkt podporovaný desetiletými profesionálními zkušenostmi a inovací.

Unikátní a stylový, byl navržen s ohledem na vás. Proto, kdykoli jej použijete, můžete si být jisti, že výsledek bude vždy vynikající. Vítejte v Electrolux!

Na našem webu můžete:



Najít doporučení pro použití produktů, návody k obsluze a informace o technické údržbě: www.home-comfort.com/support/



Při prodeji produktu je prodejce povinen vyplnit oddíl „Informace o produktu“ na vnitřní straně zadního přebalu tohoto návodu.



Použité označení



Pozor/Důležité bezpečnostní informace



Všeobecná informace a doporučení

Záruční servis se provádí v souladu s podmínkami uvedenými v části Záruční povinnosti

Poznámka:

V textu tohoto návodu může mít elektrický akumulární ohříváč vody takové technické názvy jako přístroj, zařízení, aparát atd.

Úvod

Elektrický akumulční ohřivač vody je určen k ohřevu studené vody pocházející z vodovodního systému. Používá se výhradně pro domácí účely, voda z ohřivače vody není určena k pití a vaření.

Instalaci a první uvedení do provozu ohřivače vody musí provést kvalifikovaný technik, který je odpovědný za správnou instalaci a poskytne doporučení k použití ohřivače vody.

Při připojování je třeba dodržovat příslušné normy a předpisy.

Před instalací ohřivače vody se ujistěte, že zásuvka je uzemněna.

Pokud v zásuvce není uzemnění, je nutné ohřivač vody uzemnit samostatným zemnicím vodičem k zemnicí svorce na těle ohřivače vody. Bez uzemnění je zakázáno instalovat a provozovat výrobek.

Zemnicí svorka je umístěna na těle ohřivače vody.



Pozor!

Nepoužívejte přenosné zásuvky.



Pozor!

Nesprávná instalace a provoz elektrického ohřivače vody může vést k nehodám nebo škodám na majetku.

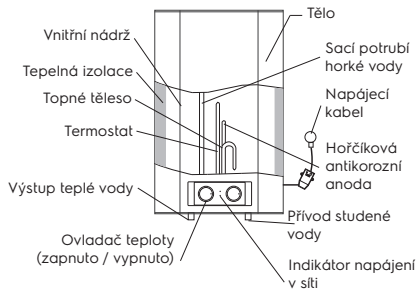
Kompletní sada

Ohřivač vody je vybaven základními prvky pro instalaci a připojení.

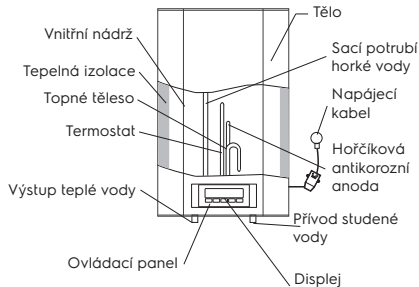
Sada ohřivačů vody Fmx EEC / Fmx DL EEC obsahuje:

- ohřivač vody s napájecím kabelem + zařízení ochranné vypnutí - 1 ks.;
- pojistný ventil - 1 ks.;
- uživatelská příručka - 1 ks.;
- montážní šablóna - 1 ks.
- upevňovací kotva pro montáž - 2 ks.

Stručný popis ohřivače vody



Obrázek 1 Fmx EEC

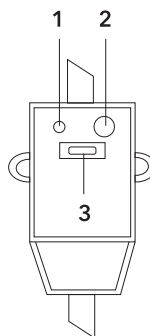


Obrázek 2 FmxDL EEC

1. Automatická regulace teploty vody: Otevřením ventilu s teplou vodou na směšovači na výstupu ohřivače vody začne do vstupu proudit studená voda, která plní vnitřní nádrž. Voda v nádrži se mísí a její teplota klesá. Čidlo termostatu reaguje na pokles teploty vody, topné těleso (TEN) se automaticky zapne a ohřívá vodu na předem nastavenou teplotu. Když teplota dosáhne nastavené hodnoty, topný článek se automaticky vypne.
2. Ochrana ohřivače vody:
 - ochrana proti přehřátí;
 - ochrana proti korozi;
 - ochrana proti nadměrnému hydraulickému tlaku.
3. Ocelové vnitřní nádrže se speciálním ochranným povlakem jsou vyrobeny podle pokročilé metody elektrostatického suchého smaltování. Speciální slitina vnitřní nádrže je odolná proti korozi a usazování vodního kamene. Ochranný nátěr vnitřní nádrže ze speciálně vyvinutého jemně disperzního skleněného smaltu.

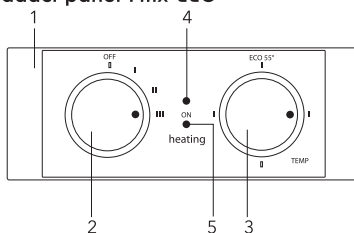
Vlastnosti skloviny:

- zvýšená přilnavost a vysoká plasticita (kalená při 850 °C);
 - expanduje nebo smršťuje se změnou teploty ve stejném poměru jako stěny vnitřní nádrže, aniž by vytvářely mikrotrhliny, ve kterých může dojít ke vzniku korozního centra.
4. Suché tepelné topné články (TENY) jsou spolehlivé a bezpečné v provozu, mají dlouhou životnost. Topná tělesa jsou umístěna v ochranných kovových pouzdrech, pokrytých vrstvou jemně rozptýleného skleněného smaltu, které vylučují přímý kontakt topných těles s vodou, na topných tělesech se proto netvoří vodní kámen, což zvyšuje jejich životnost a prodlužuje životnost topných těles. Životnost.
 5. Režim (ECO) na ovládacím panelu poskytuje:
 - ohřev vody na příjemnou teplotu asi 50–55 °C;
 - zabraňuje tvorbě vodního kamene;
 - zvyšuje zdroj zařízení
 6. Vnitřní tepelná izolace účinně udržuje teplotu ohřívání vody, minimalizuje tepelné ztráty a snižuje spotřebu energie.
 7. Integrovaný regulátor teploty: Poskytuje konstantní a spolehlivou kontrolu teploty vody.
 8. Rozsah úpravy teploty ohřevu vody u modelů Fmx je od 30 °C do 75 °C. Teplota vytápění se nastavuje zleva doprava (ve směru hodinových ručiček) od minima po ECO 55 °C až po maximum. Maximální teplota ohřevu vody u modelů Fmx DL je 75 °C. ECO – ekonomický režim, cca 55°C. Pomocí tlačítek na ovládacím panelu „+“ nebo „-“ můžete upravit teplotu s přesností na 1 °C.
 9. Jednoduchá a pohodlná obsluha a údržba ohříváče vody.
- RCD (Bezpečnostní proudový chránič)**
- 100% prevence úrazu elektrickým proudem.
 - Při připojování elektrického zásobníkového ohříváče vody dodržujte pokyny k instalaci.
 - Po připojení k elektrické síti se na přední straně RCD rozsvítí indikátor napájení (1).
 - Pro otestování RCD stiskněte tlačítko TEST (2). Indikátor napájení (1) zhasne.
 - Pro restart RCD stiskněte tlačítko (3).



Kontrolní panel

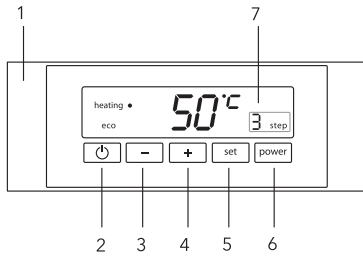
Ovládací panel Fmx EEC



Obrázek 3

1. Ovládací panel.
2. Knoflík zapnutí/vypnutí ("ON"/"OFF") - přepínání úrovní vytápění.
 - – označení "OFF" - vypnutí vytápění.
 - ▮ – označení pro zapnutí vytápění. První stupeň topného výkonu je 800 W.
 - ▮ – označení pro zapnutí druhého stupně topného výkonu 1200 W.
 - ▮ – označení pro zapnutí třetího stupně topného výkonu 2000 W.
3. Knoflík pro regulaci teploty
 - – označení v dolní části odpovídá minimální teplotě vody v ohříváči vody (vypnutí topení).
 - ▮ – označení na levé straně odpovídá minimální teplotě ohřevu vody v ohříváči vody (zapnutí ohřevu).
 - ECO 55 – označení Eco režimu odpovídá teplotě ohřevu vody v ohříváči vody až 55 °C.
 - ▮ – označení na pravé straně odpovídá maximální teplotě ohřevu vody v ohříváči vody (75 °C).
4. Indikátor «ON» – svítí na zeleno, když je ohříváč vody připojen k elektrické síti. Indikátor «HEATING» – svítí červeně, když je topné těleso zapnuté a probíhá ohřev vody.

Ovládací panel FmxDL EEC



Obrázek 4

1. Ovládací panel.
2. Tlačítko "ON"/"OFF" zapínání/vypínání ohřívače vody (topení).
3. Tlačítko nastavení teploty - " - " pro snížení teploty.
4. Tlačítko nastavení teploty - " + " pro zvýšení teploty.
5. Tlačítko "SET":
 - prohlížení nastavené teploty;
 - zapamatovat si nastavenou teplotu;
 - nastavit teplotu z paměti ohřívače vody
6. Tlačítko "POWER": nastavení výkonu vytápění.
7. Indikace zvolené úrovně topného výkonu:
 - 1 stupeň - 800 W.
 - 2 stupeň - 1200 W.
 - 3 stupeň - 2000 W.

Výběr režimu výkonu zajišťuje rychlé vytápění nebo umožňuje použití ohřívače vody v místnostech s omezeným výkonem v elektrické síti.

Připojení k elektrické síti modelů Fmx EEC

Zasuňte zástrčku do zásuvky a zapněte ohřívač vody. Indikátor se rozsvítí. To znamená, že ohřívač vody je připojen k síti a je napájen energií. Otočením regulátoru teploty proti směru hodinových ručiček zapněte topení. Nastavte požadovanou úroveň ohřevu vody úpravou teploty ohřevu. Indikátor «ECO» - ekonomický režim, odpovídá teplotě ohřevu asi 55 °C. Ohřev vody se automaticky vypne při dosažení nastavené teploty a automaticky se zapne pro ohřev. Chcete-li vypnout ohřev vody, otočte knoflík ovládnání teploty do polohy „OFF“. Indikátor zapnutí bude svítit, když je ohřívač vody připojen k síti. U některých modelů bude kontrolka blikat, když je topný článek zapnutý. Termostat zajistí, že se topné těleso znovu zapne po spotřebování vody.


Nastavení teploty

Teplota ohřívače vody může být nastavena v rozmezí 30 °C (minimální) až 75 °C (maximální). Teplota se nastavuje pomocí regulátoru umístěného na předním panelu spotřebiče.

Připojení k elektrické síti modelů FmxDL EEC

Zasuňte zástrčku ohřívače vody do zásuvky. Ohřívač vody spustí autodiagnostiku. Indikace na displeji bude blikat asi 2 sekundy, rozsvítí se pouze indikace teploty vody v ohřívači vody - ohřívač vody se přepne do pohotovostního režimu "STAND BY". Pokud ohřívač vody během autodiagnostiky zjistí nějakou chybu, celý displej bude nepřetržitě blikat.

Zapnutí a nastavení teploty

Když je stisknuto tlačítko  ohřívač vody zapne a indikátor ohřevu se rozsvítí červeně, poslední nastavená teplota nebo tovární nastavení ECO 55 °C nastavené při prvním zapnutí bude blikat červenou barvou po dobu 2 sekund. Po 2 sekundách zhasne indikace nastavené teploty a spustí se ohřev vody. Na displeji se zobrazí teplota vody v ohřívači vody.

Pro snadné používání můžete nastavit individuální režim teploty ohřevu vody, jehož bude udržovat ohřívač vody při každém zapnutí.

Stiskněte a podržte tlačítko SET po dobu 3 sekund. Nastavená teplota bliká (35 °C). Pokud souhlasíte, rychle stiskněte jednou SET pro potvrzení. Teplota se nastaví v paměti spotřebiče a zahájí se ohřev. Chcete-li změnit teplotu, použijte tlačítka "+" nebo "-". Po výběru teploty bude teplota 3 sekundy blikat a rychle ji potvrdíte jedním stisknutím tlačítka SET. Pokud nestisknete tlačítko SET pro potvrzení, bude zvolená teplota blikat po dobu 3 sekund, poté se spustí ohřev, zvolená teplota se udržuje pouze do doby, než uživatel ohřívač vypne. Zvolená teplota se nezapamatuje.

Podržením tlačítka SET po dobu 5 sekund (nebo 7 sekund) a opakováním všech výše uvedených kroků lze do paměti spotřebiče nastavit další dvě hodnoty teploty. Poslední nastavená teplota působí stejně pro všechny tři paměťové režimy. Během vytápění se bude zobrazovat teplota vody v ohřívači vody.

Indikace teploty na displeji zobrazuje teplotu vody v ohřívači vody. Chcete-

li během ohřevu zjistit jaká je teplota nastavena, stiskněte rychle jednou tlačítko SET a nastavená teplota se zobrazí po dobu 3 sekundy. Po 3 sekundách se zobrazí teplota vody v ohřivači.

Jakmile teplota dosáhne nastavené hodnoty, indikátor "HEATING" zhasne.

Režim proti zamrznutí

Aby se zabránilo zamrznutí vody, ohřivač se automaticky začne ohřívat, když teplota vody ve vnitřní nádrži klesne pod 6 °C. Když teplota dosáhne 10 °C, ohřev se zastaví. Funkce funguje, když je spotřebič připojen k napájení. K dispozici v řadě FmxDL EEC.

Pokud dojde k výpadku proudu v místnosti

1. Pokud během ohřevu dojde k výpadku proudu, po zapnutí napájení v místnosti se ohřivač vody zapne pro vytápění a začne ohřívat podle předchozího nastavení.
2. Pokud ohřivač vody nebyl zapnutý, byl v režimu "STAND BY", ohřivač vody nezačne ohřívat, když se v místnosti zapne elektřina.

Instalace ohřivače vody

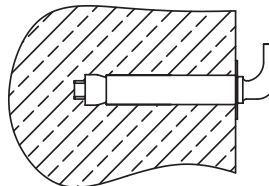


Ujistěte se, že pro instalaci ohřivače vody se používají originální díly poskytnuté výrobcem, které vydrží hmotnost ohřivače vody naplněného vodou. Neinstalujte ohřivač vody na držák, dokud si nejste jisti, že je držák zajištěný. Jinak může ohřivač vody spadnout ze zdi a způsobit poškození nebo vážné zranění. Při výběru míst pro otvory pro upevňovací šrouby se ujistěte, že je na obou stranách od stěny koupelny nebo jiné místnosti k tělesu ohřivače vody mezera nejméně 0,2 m, a na straně potrubí nejméně 0,5 m, aby byl usnadněn přístup při provádění v případě potřeby údržby.

Pokud ohřivač vody přijímá vodu přímo ze studní nebo vodních věží, je pro provoz bezpodmínečně nutné použít hrubý filtr pro vstup studené vody do ohřivače vody. Hrubý filtr lze zakoupit ve specializovaných prodejnách. Pokud není hrubý filtr nainstalován, nevztahuje se na něj záruka.

1. Ohřivač vody by měl být instalován na pevném svislém povrchu (stěně).
2. Po výběru místa pro montáž vytvořte ve zdi dva otvory v požadované hloubce a zasuňte šrouby, otočte háček nahoru, bezpečně utáhněte matice a poté na něj namontujte ohřivač vody (viz obr. 5).

Upevňovací kotva pro montáž

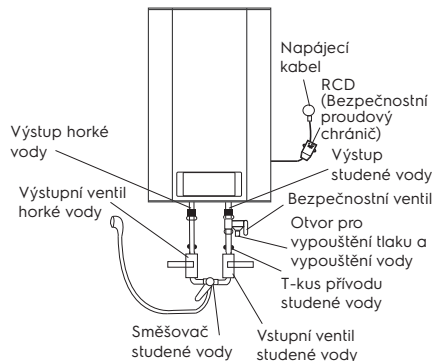


Obrázek 5

Objem, l	27	46	73	93
Vzdálenost mezi otvory, mm	196			

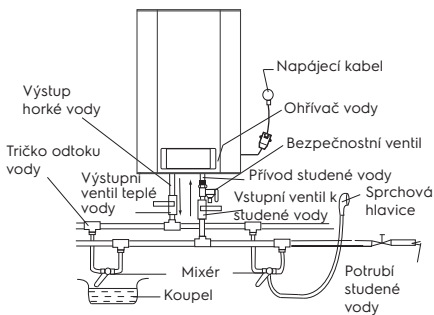
3. Pokud je koupelna příliš malá na instalaci ohřivače vody, může být instalován v jakékoli jiné místnosti chráněné před přímým slunečním zářením a deštěm. Aby se však snížily tepelné ztráty v potrubí, měl by být ohřivač vody instalován co nejbližšímu místu, kde se voda používá.
4. Při připojení k vodovodnímu systému je nutné zajistit a provést instalaci jednotlivé uzavírací ventily na přívodním potrubí studené vody k ohřivači vody a na horkém výstupním potrubí. Během doby nepoužívání ohřivače vody, údržby a technologických prací na vodovodním potrubí musí být jednotlivé uzavírací ventily na potrubí teplé a studené vody uzavřeny. Instalace a správné použití uzavíracích ventilů je předpokladem pro poskytnutí záručního servisu a záruky dlouhodobého a bezproblémového provozu ohřivače vody.

Připojení vody



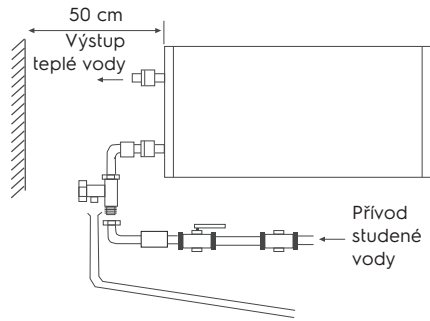
Obrázek 6

1. Pro připojení ohřívачe vody k přívodu vody se používají potrubí o průměru G1/2.
2. Připojení zpětného bezpečnostního ventilu: ventil by měl být instalován na vstupu studené vody (ujistěte se, že je nainstalováno pružné odtokové potrubí, na vytlačném a odtokovém kanálu vody a směřuje dolů ke speciálnímu odtoku pro odvod vody).
3. Abyste zabránili netěsnostem při připojování potrubí, nainstalujte na konce závitových připojení kompletní gumová těsnění.
4. Je-li nutné zavést systém zásobování vodou několika kohoutky, použijte způsob připojení (viz obr. 7).
5. Pokud může tlak ve vodovodním potrubí překročit 5 barů, je nutné nainstalovat redukci tlaku vody. Pokud není k dispozici redukční ventil a dojde k překročení tlaku studené vody ve vodovodním potrubí, nelze spotřebiči bezplatně opravit v rámci záruky.



Obrázek 7

6. Instalace ohřívачů vody řady Fmx EEC, FmxDL EEC výrazně usnadňuje možnost jejich vertikální nebo horizontální instalace, kdekoli ve vašem domě, ve vytápěném prostoru. Doporučuje se instalovat ohřívач vody co nejbližší k místu, kde se teplá voda používá, protože čím kratší je délka potrubí, tím je únik tepla menší. Pokud je ohřívач vody instalován vodorovně, přívodní potrubí by mělo být na levé straně. Pokud je ohřívач instalován v blízkosti stěny, ponechte doporučený odstup pro údržbu. Ohřívач vody nainstalujte na vodorovném povrchu nebo v blízkosti podlahy. (viz obr. 8).



Obrázek 8

Elektrické připojení

Všechny ohřívачe vody této řady jsou navrženy pro připojení k jednofázové elektrické síti 220/240 V. Před připojením se ujistěte, že parametry elektrické sítě v místě připojení odpovídají parametry uvedené na typovém štítku spotřebiče.

Při instalaci ohřívачe vody je třeba dodržovat aktuální elektrické bezpečnostní předpisy.

Při instalaci ohřívачe vody v koupelně nebo na toaletě je třeba vzít v úvahu omezení spojená s existencí zakázaných a ochranných objemů.

Zakázaným objemem – je prostor ohraničený tangenciálními a vertikálními rovinami ve vztahu k vnějším okrajům vany, toalety nebo sprchového koutu a rovinou umístěnou nad nimi nebo nad podlahou, pokud je na podlaze instalována instalace, ve výšce 2.25 m.

Ochranný objem – je prostor, jehož omezující vodorovné roviny se shodují s rovinami zakázaného objemu, a svislé roviny jsou vzdáleny 1 m od odpovídajících rovin zakázaného objemu.

Vypočtené údaje pro měď Výběr průřezu kabelu (drátu) podle výkonu a délky z mědi, U = 220 V, jedna fáze

P, kW	1	2	3	3,5	4	6	8
I, A	4,5	9,1	13,6	15,9	18,2	27,3	36,4
Průřez vodiče, mm ²	1	1	1,5	2,5	2,5	4	6
Maximální přípustná délka kabelu v uvedeném průřezu, m	34,6	17,3	17,3	24,7	21,6	23	27

Provoz

Plnění vodou

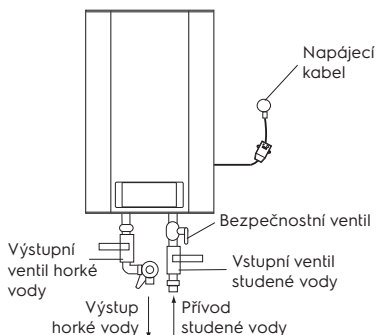
Po instalaci ohřivače vody uzavřete přívod teplé vody do bytu, otevřete ventil přívodu studené vody. Otevřete kohoutek teplé vody na mixéru. Jakmile je ohřivač vody plný, vytéká z něj voda, uzavřete kohoutek teplé vody na směšovači a zkontrolujte těsnost. Pokud si nejste jisti, zda je v ohřivači vody voda, nepřipojujte jej k síti.

Opatření

Nastavení teploty

Rozsah regulace teploty ohřivače vody je od 30 °C (minimálně) do 75 °C (maximálně). U modelů řady Fmx EEC / Fmx DL EEC se teplota nastavuje pomocí ovladače teploty na spodním krytu zařízení.

1. Zásuvka musí být řádně uzemněna. Jmenovitý proud zásuvky musí být alespoň 10 A. Zásuvka a zástrčka musí být vždy suché, aby nedošlo ke zkratu v elektrické síti. Pravidelně kontrolujte, zda je zástrčka pevně zasunuta do zásuvky. Zkušební metoda je následující: zasuňte síťovou zástrčku do zásuvky, po půl hodině vypněte ohřivač vody a vytáhněte zástrčku ze zásuvky. Všimněte si, zda je zástrčka na dotek teplá. Pokud máte pocit, že je vaše ruka teplá (při teplotách nad 50 °C), vyměňte zásuvku za jinou, kde zástrčka těsně zapadne. To pomůže zabránit požáru, poškození zástrčky nebo jiné nehodě v důsledku špatného kontaktu.
2. Stěna, na kterou má být ohřivač vody instalován, musí být dimenzována na zátěž dvojnásobnou k celkové hmotnosti ohřivače vody naplněného vodou. Jinak by měla být přijata další opatření k posílení produktu.
3. Pojistný ventil by měl být instalován na vstupu vody (viz obr. 9).

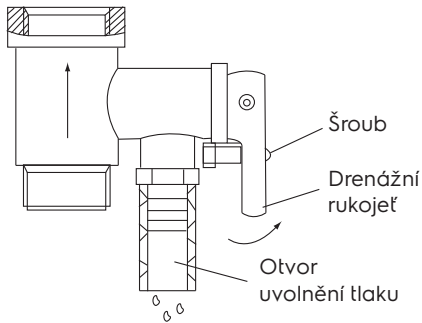


Obrázek 9

4. Při prvním použití ohřivače vody (nebo při prvním použití po údržbě nebo čištění) nezapínejte ohřivač vody, dokud není zcela naplněn vodou. Při plnění nádrže ohřivače vody otevřete kohoutek horké vody, aby se uvolnil vzduch. Jakmile je nádrž naplněna vodou a voda teče z kohoutku, může být kohoutek uzavřen.
5. Při ohřevu vody může z tlakového výstupu pojistného ventilu vytékat voda. To je normální. V případě velkých netěsností se však obraťte na servisního technika. Tlakový výstup nesmí být za žádných okolností blokován; jinak by mohlo dojít k poškození ohřivače vody.
6. Na výstupu přetlakového ventilu musí být instalována odtoková trubice a v případě odtoku vody vedena do odtoku. Odtoková trubka připojená k výtlaku musí směřovat dolů.
7. Protože teplota vody uvnitř ohřivače vody může dosáhnout 75 °C, neměla by se na lidské tělo dostat horká voda. Abyste se vyhnuli popáleninám, můžete nastavit teplotu vody pomocí faucetového kohoutku.
8. V případě delší nepřítomnosti, provádění oprav, technologických a preventivních prací na vodovodním potrubí nebo dlouhodobého nepoužívání ohřivače vody je bezpodmínečně nutné uzavřít jednotlivé uzavírací ventily na přívodu studené vody k ohřivači vody a na horkém výstupním potrubí a také vypnout ohřivač vody a odpojit jej od napájení, vytažením zástrčky ze zásuvky.
9. V případě použití ohřivače vody v místnostech s centralizovaným přívodem vody, během doby odstavení teplé vody uzavřete

uzavírací ventil přívodu teplé vody z pří-
vodních potrubí (stoupačky).

10. Můžete vypustit vodu z ohřivače vody pomocí pojistného ventilu, přičemž vypnete přívod studené vody do ohřivače vody a otevřete vypouštěcí rukojeť na pojistném ventilu. V tomto případě musí být proveden odtok vody z ohřivače vody vypouštěcím otvorem ve ventilu do kanalizace (při vypouštění vody otevřete kohoutek horké vody na směšovači, aby se uvolnil vzduch).



Obrázek. 10

11. V případě poruchy flexibilního napájecího kabelu jej vyměňte za podobný kabel dodaný výrobcem. Výměnu by měli provádět zkušení servisní technici.
12. V případě poškození jedné z částí ohřivače vody je nutné kontaktovat odborníka údržby s žádostí o opravu. Používejte pouze náhradní díly dodané výrobcem.
13. Toto zařízení není určeno k použití osobami (včetně dětí) se sníženými fyzickými nebo duševními schopnostmi a nedostatkem dovedností nebo znalostí, pokud to neukáže nebo řádně nepoučí osoba odpovědná za jejich bezpečnost.
14. Pokud nebudete ohřivač vody delší dobu používat, nebo pokud teplota v místnosti, kde je nainstalován, může klesnout pod 0 °C, měl by být zcela vypuštěn.

Odstraňování problémů

Odmítnutí	Příčiny	Odstranění
Indikátor vytápění vypnutý	Porucha regulátoru tep-loty	Pro provedení opravy kontaktujte servisního technika
Voda nepřichází z ventilu s horkou vodou	<ol style="list-style-type: none"> 1. Přívod vody přes přívod vody je uzavřen 2. Tlak vody je příliš nízký 3. Přívodní ventil vody je uzavřen 	<ol style="list-style-type: none"> 1. Počkejte, až se obnoví přívod vody 2. Ohřívač vody použijte, když tlak vody opět stoupne 3. Otevřete ventil přívodu vody
Teplota vody překračuje přípustnou hladinu	Porucha systému regulace teploty	<ol style="list-style-type: none"> 1. Je nutné okamžitě vypnout ohřívač vody ze sítě 2. Požádejte o opravu servisní techniky
Žádné ohřev vody	Ohřev není zapnut	<p>Otočte knoflík ON / OFF do polohy Low</p> <ol style="list-style-type: none"> 1. Odpojte ohřívač vody od sítě 2. Ohřívač vody ochlaďte otevřením horkého kohoutku vodu a udržujte ji otevřenou, dokud teplota vody neklesne sejměte kryt 3. Stiskněte malé tlačítko na pouzdře 4. Bezpečnostní spínač 5. Vraťte zpět kryt a znovu připojte zařízení k síti 6. Pokud problém přetrvává, obraťte se na svého servisního technika
	Ochranný teplotní senzor se aktivoval	
	Poškozený topný článek	Obraťte se na servisního technika
	Vadná elektronická deska	Obraťte se na servisního technika
Únik vody	Vadné těsnění potrubí	Vyměňte těsnění
Celá indikace bliká déle než 10 sekund.	Možné chyby v provozu ohřívače vody	Vypněte ohřívač vody a odpojte od elektrické sítě a znovu ho zapněte. Pokud indikace znovu bliká déle než 10 sekund, zavolejte servisního technika

Specifikace

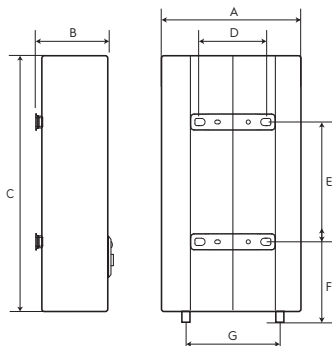
Model	EWH 30 Fmx EEC	EWH 50 Fmx EEC	EWH 80 Fmx EEC	EWH 100 Fmx EEC
Objem, l	27	46	73	93
Jmenovitý výkon, W	2000	2000	2000	2000
Napájecí napětí, V ~ Hz	220-240-50	220-240-50	220-240-50	220-240-50
Intenzita proudu, A	9.09	9.09	9.09	9.09
Minimální tlak, Bar	0,8	0,8	0,8	0,8
Maximální tlak *, Bar	7.5	7.5	7.5	7.5
Maximální teplota vody, °C.	75	75	75	75
Třída elektrické ochrany	I třída	I třída	I třída	I třída
Stupeň ochrany	IPX4	IPX4	IPX4	IPX4
Doba ohřevu od 10 °C do 75 °C, min.	71.4	119.04	190.8	238.8
Rozměry zařízení (Š×V×H), mm	344×545×359	344×825×359	454×729×469	454×879×469
Rozměry balení (Š×V×H), mm	429×640×429	429×920×429	539×849×539	539×999×539
Čistá/Hrubá hmotnost, kg	16.08/17.75	22.08/24.09	27.17/31.21	31.76/35.8

Model	EWH 30 FmxDL EEC	EWH 50 FmxDL EEC	EWH 80 FmxDL EEC	EWH 100 FmxDL EEC
Objem, l	27	46	73	93
Jmenovitý výkon, W	2000	2000	2000	2000
Napájecí napětí, V ~ Hz	220-240-50	220-240-50	220-240-50	220-240-50
Intenzita proudu, A	9.09	9.09	9.09	9.09
Minimální tlak, Bar	0,8	0,8	0,8	0,8
Maximální tlak *, Bar	7.5	7.5	7.5	7.5
Maximální teplota vody, °C.	75	75	75	75
Třída elektrické ochrany	I třída	I třída	I třída	I třída
Stupeň ochrany	IPX4	IPX4	IPX4	IPX4
Doba ohřevu od 10 °C do 75 °C, min.	71.4	119.04	190.8	238.8
Rozměry zařízení (Š×V×H), mm	344×545×359	344×825×359	454×729×469	454×879×469
Rozměry balení (Š×V×H), mm	429×640×429	429×920×429	539×849×539	539×999×539
Čistá/Hrubá hmotnost, kg	16.06/17.65	22.09/24.1	24.1/28.22	31.77/35.31

* Při maximálním tlaku se přetlak uvolňuje přes bezpečnostní ventil. Pokud tlak přívodu vody překročí 7.5 bar (jmenovitý pracovní tlak), musí být nainstalován redukční ventil.

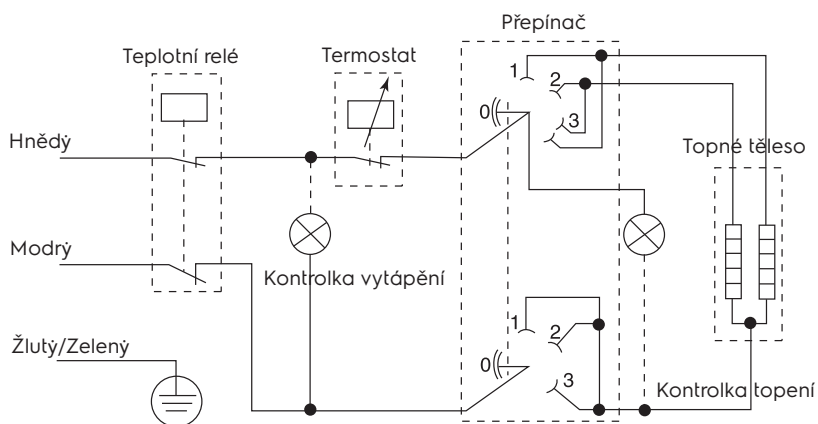
** Doby ohřevu jsou založeny na plném výkonu a jsou vypočítány za ideálních podmínek prostředí. Výrobce si vyhrazuje právo na změny.

Rozměry

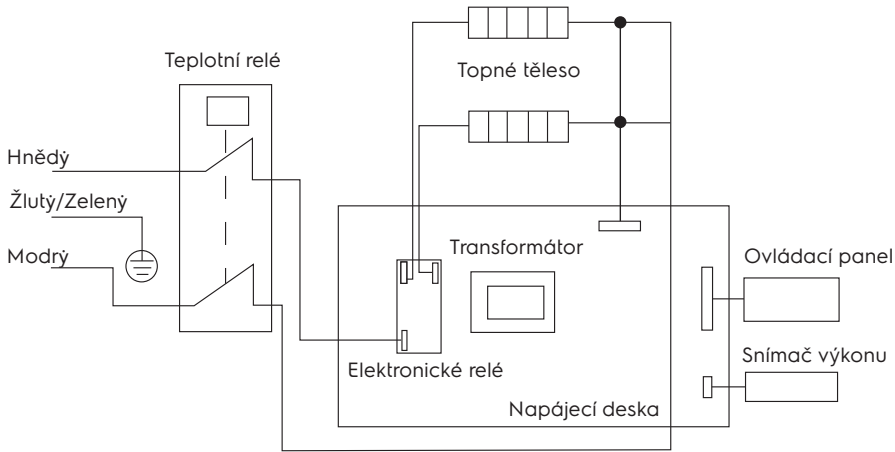


	EWH 30 FMX EEC/FMX DL EEC	EWH 50 FMX EEC/FMX DL EEC	EWH 80 FMX EEC/FMX DL EEC	EWH 100 FMX EEC/FMX DL EEC
A, mm	344	344	454	454
B, mm	359	359	469	469
C, mm	545	825	729	879
D, mm	196	196	196	196
E, mm	253	401	297	447
F, mm	174	172	281	278
G, mm	100	100	100	100

Elektrické schéma Fmx EEC



Elektrické schéma FmxDL EEC



Péče a údržba



Před prováděním servisu vždy odpojte ohřívač vody od sítě.

Aby byla zajištěna dlouhá životnost a zachována platná záruka na vnitřní nádrž na vodu, je nutné nejpozději rok po zahájení provozu provést údržbu kvalifikovanými odborníky, která by měla zahrnovat povinnou kontrolu přítomnosti vodního kamene na topném tělese a vnitřní dutině nádrže na vodu a také stav hořčikové anody. V případě silného opotřebení musí být hořčiková anoda vyměněna. Záruka na nádrž na vodu a topné těleso v případě opotřebené anody (zbytečný objem menší než 30% originálu) je neplatná.

Podle výsledků kontroly ohřívače vody, když během první údržby je stanovena frekvence pravidelné údržby, kterou je nutné dodržovat po celou dobu provozu zařízení. V případě změny provozní adresy zařízení, jakož i změn provozních podmínek (kvalita vody) zjištěných v důsledku pravidelné údržby, může být frekvence údržby revidována. Potvrzení údržby je dokončená položka v tabulce provedené údržby.

V oblastech s extrémně tvrdou vodou, s vodou obsahující korozivní nečistoty, může být nutné provádět tuto zkoušku častěji. K tomu je třeba získat příslušné informace od odborníka nebo přímo ve společnosti, která zajišťuje zásobování vodou! V případě, že nebyla provedena žádná údržba,

nebo s úplným opotřebením / nepřítomnosti hořčikové anody v ohřívači vody. Záruční povinnosti na ohřívač vody jsou zrušeny.

**Pozor!**

Nahromadění vodního kamene na topném tělese a přítomnost sedimentu ve vnitřní nádrži může vést k poruše ohřívače vody a je základem pro odmítnutí záručního servisu. Pravidelná údržba je preventivním opatřením a nevztahuje se na ni záruka

V zakázané oblasti není dovoleno instalovat vypínače a zásuvky.

Instalace spínačů do ochranného prostoru je zakázána, je však možné instalovat zásuvky s uzemněním.

Ohřívač vody musí být instalován mimo zakázaný objem, aby nebyl vystaven proudům vody. Spotřebič musí být připojen k síti prostřednictvím vyhrazené zásuvky s uzemněním připojeným k samostatnému jističi v rozvaděči.

Aby byl zajištěn bezpečný provoz ohřívače vody, musí být nainstalován automat s vhodným výkonem.

Připojení elektrické sítě musí zahrnovat uzemnění. Síťová zástrčka napájecího kabelu ohřívače vody se speciálním uzemňovacím konektorem by měla být zapojena pouze do zásuvky.

Regulátor teploty topení. Pro každodenní použití je vhodné nechat ohřívač vody

zapojený, protože termostat zapíná ohřev pouze tehdy, když je to nutné pro udržení nastavené teploty.

Vypouštění. Pokud nebudete ohřívač vody delší dobu používat, nebo pokud teplota v místnosti, kde je nainstalován, může klesnout pod 0 °C, měl by být zcela vypuštěn. Vypouštění lze provést pomocí pojistného ventilu a může dojít k úniku zpod dřívku ventilu.



Pozor!

Pro vypouštění může být mezi ventilem a pouzdrem vytvořeno T-kus s ventilem.

Před vypouštěním ohřívače vody nezapomeňte:

- odpojte ohřívač vody od sítě;
- zavřete ventil přívodu vody;
- otevřete ventil teplé vody.

Nechejte svůj ohřívač vody pravidelně opravovat v autorizovaném servisním středisku.



Pozor!

Nikdy neodstraňujte kryt ohřívače vody, aniž byste jej nejprve odpojili od sítě.

Záruční servis se provádí v souladu se záručními povinnostmi uvedenými v záručním listu. Výrobce si vyhrazuje právo provádět změny v konstrukci a vlastnostech zařízení bez předchozího upozornění.

Přeprava a skladování

Ohřívače vody v obalu výrobce mohou být přepravovány všemi druhy kryté dopravy v souladu s pravidla pro přepravu zboží platná pro tento druh dopravy. Přepravní podmínky při teplotách od minus 50 do plus 50 °C a od vlhkosti nosiče do 80% při plus 25 °C).

Během přepravy musí být vyloučen jakýkoli možný náraz a pohyb balíků s ohřívači vody uvnitř vozidla. Přepravujte a skládejte v souladu s manipulačními značkami vyznačenými na obalu. Ohřívače vody musí být skladovány v obalu výrobce za podmínek skladování od + 1 °C do + 40 °C a relativní vlhkosti vzduchu do 80% při 25 °C).

Utilizace



Odsloužený spotřebič nelze využít společně s komunálním odpadem (2012/19/EU).

Záruční podmínky

Záruční servis se provádí v souladu s podmínkami uvedenými v části "Záruční podmínky".

Záruka:

- Záruční doba na výrobek je dva roky od data nákupu. Pokud se během této dvouleté záruční doby vyskytnou nějaké závady způsobené vadami materiálu nebo zpracování, bude produkt opraven nebo vyměněn.
- Opravy nebo výměny zdarma jsou možné pouze tehdy, jsou-li předloženy přesvědčivé důkazy, například s potvrzením, že den, kdy je požadována služba, je v záruční době.
- Záruka se nevztahuje na výrobky a/nebo části výrobku, které podléhají opotřebení a které lze považovat za spotřební materiál nebo ze skla.
- Záruka není platná, je-li vada způsobena poškozením, způsobeným nesprávným používáním, špatnou údržbou (např. odmítnutí vznikl kvůli vniknutí dovnitř výrobky cizích předmětů nebo kapalin), nebo pokud změny nebo opravy byly provedeny osobami, které nejsou autorizované Výrobce.
- Pro správné používání produktu musí uživatel přísně dodržovat všechny pokyny obsažené v uživatelské příručce a musí se zdržet jakýchkoli činností nebo manipulací, které jsou popsány jako nežádoucí nebo které jsou uvedeny v uživatelské příručce.
- Tato omezení záruky neovlivňují vaše zákonná práva.

Podpora:

Podpora během a po záruční době je k dispozici ve všech zemích, kde je produkt oficiálně distribuován. Obráťte se na prodejce o pomoc.

Datum výroby

Datum výroby je uvedeno na štítku na těle zařízení a je také zašifrováno v Code-128. Datum výroby se stanoví takto:

SN XXXXXXX XXXX XXXXXX XXXXX

měsíc a rok výroby

Neodstraňujte a uchovávejte sériové číslo zařízení. Pokud dojde ke ztrátě nebo poškození nálepky se sériovým číslem, nebude možné v případě potřeby obnovit datum výroby.

Výrobce/Importér: CladSwiss AG,
Bahnhofstrasse 27, 6300 Zug, Švýcarsko.
E-mail: info@cladswiss.com

Vyrobeno v Číně

Electrolux je registrovaná ochranná známka používaná na základě licence AB Electrolux (publ.).

Výrobce si vyhrazuje právo provádět změny v konstrukci a specifikacích zařízení.

Text a čísla pokynů mohou obsahovat technické chyby a typografické chyby. Specifikace a změny sortimentu se mohou změnit bez předchozího upozornění.

Chyby a tiskové chyby jsou povoleny v textech a číselných označeních. Konstrukce a technické údaje zařízení se mohou lišit od údajů uvedených na obalu. Pro více informací kontaktujte svého obchodního poradce.

Product Details (populated upon sale) • Detajet e produktit (të populluara pas shitjes)
 • Szczegóły produktu (wypełniane w momencie sprzedaży) • Informații despre articol (se completează la vânzare) • Информация за продукта (попълва се при продажба)
 • Informace o produktu (vyplní se při prodeji) • Információ az árurol (eladáskor kitöltendő)
 • Detalji o proizvodu (popunjeni prilikom prodaje) • Podaci o proizvodu (popunjavana se prilikom prodaje) • Podatki o izdelku (izpolnite ga ob prodaji) • Информации за производот (што треба да се пополнат кога производот се продава) • Πληροφορίες για το προϊόν (να συμπληρωθούν κατά την πώληση)

Model • Modelul • Модел • Modell • Μοντέλο

Serial number • Numër serik • Serijski broj
 • Numer seryjny • Numărul seriei • Серийн номер • Sériové číslo • Sorozatszám
 • Serijska številka • Сериски број
 • Σειριακός αριθμός

Date of sale • Data e shitjes • Datum prodaje
 • Data sprzedaży • Data vânzării
 • Дата на продажба • Datum prodeje
 • Az eladás dátuma • Датум на продажба
 • Ημερομηνία πώλησης

Seller Seal • Vula e shitësit • Peçat prodavaça
 • Pieczęć sprzedawcy • Ștampila vânzătorului
 • Печат на продавача • Prodejce Seal
 • Az eladó pecsétje • Peçat prodavca
 • Žig prodajalca • Печатот на продавачот
 • Πωλητής Σφραγίδα

8

www.home-comfort.com

Electrolux is a registered trademark used under license from AB Electrolux (publ).

This manual may contain technical and typing errors. Changes to technical characteristics and assortment are subject to change without notice.

