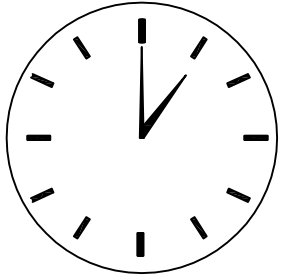
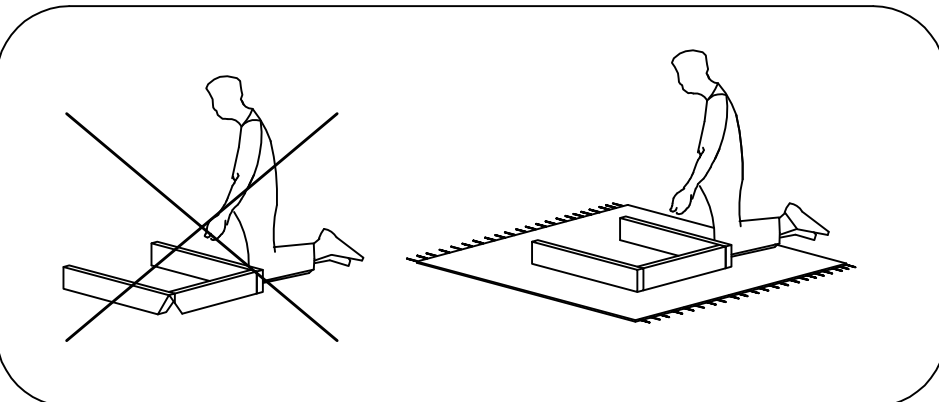
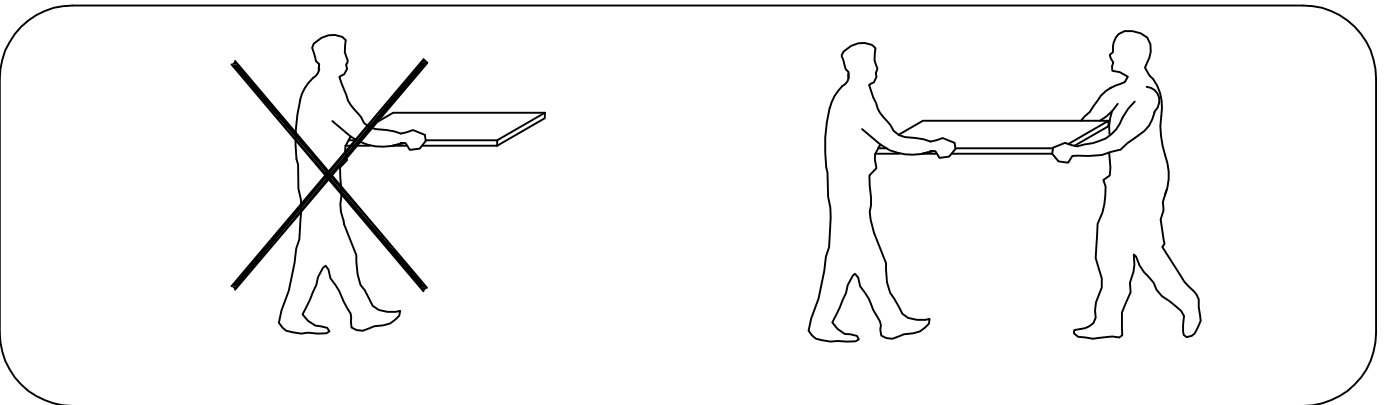
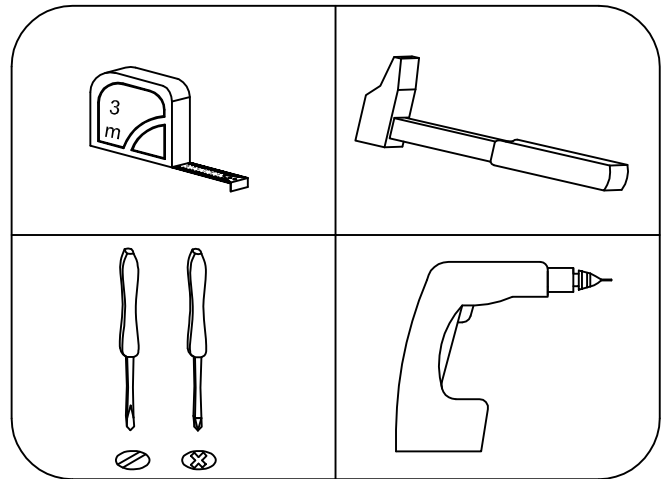
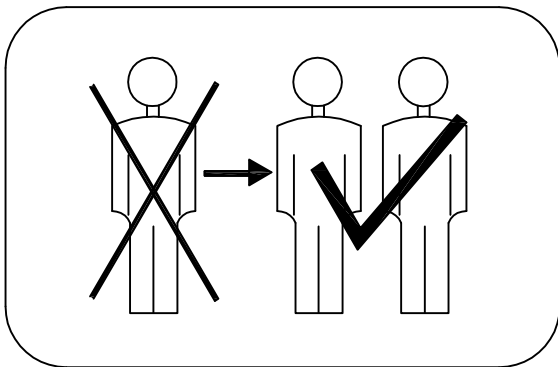
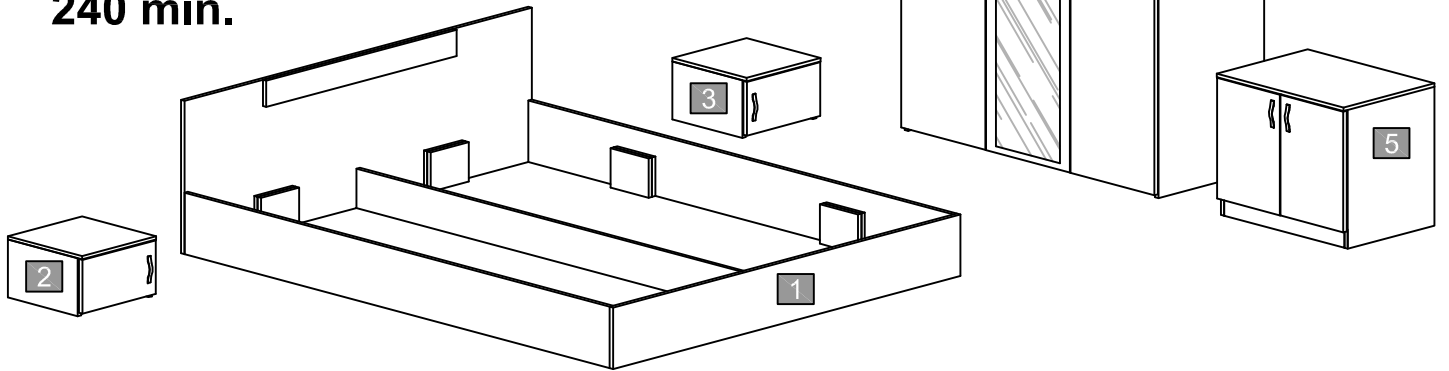


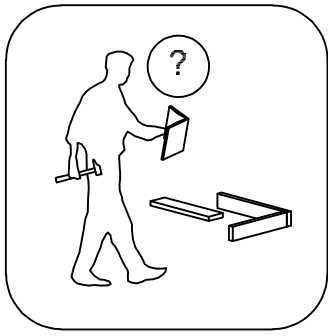
Mow

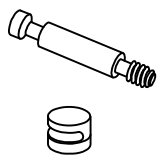
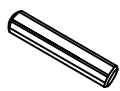
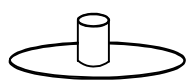
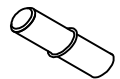
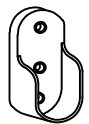
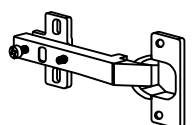

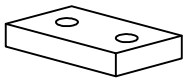

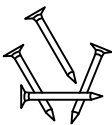
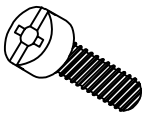
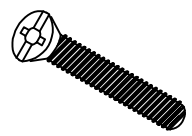
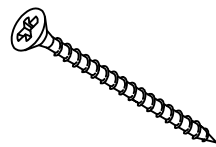




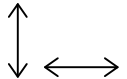
240 min.

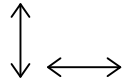


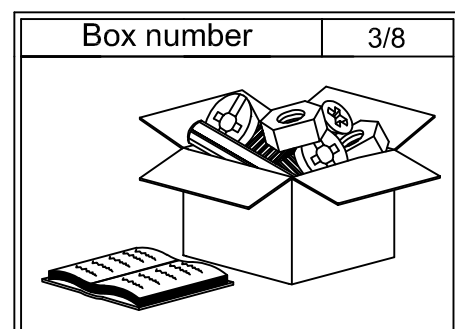
<http://www.irimbg.com/instructions/>

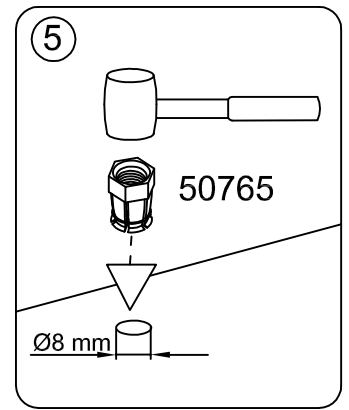
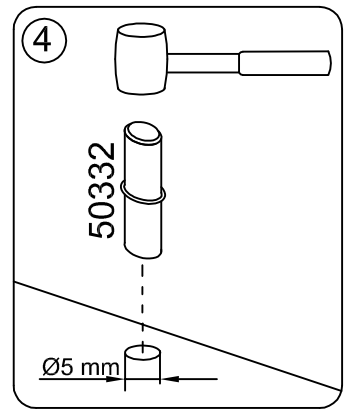
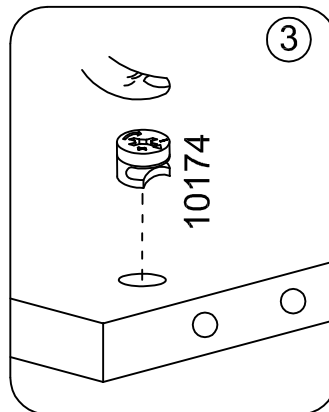
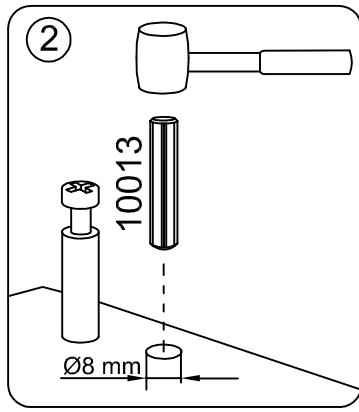
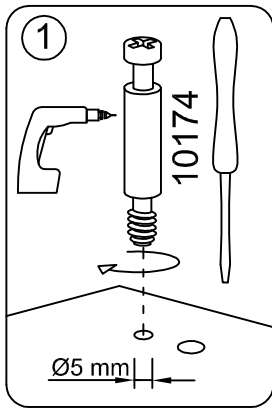


	48x  10174	52x  Φ 8/30 10013	48x  50317
	14x  50332	2x  50011	17x  40158
7x  20340	27x  50246	3x  50765	 10033
14x  M 4/18 10186	3x  M 6x25 10195	50x  Φ 3,5/30 10004	55x  Φ 3,5/20 10002
75x  Φ 3,5/16 10001			

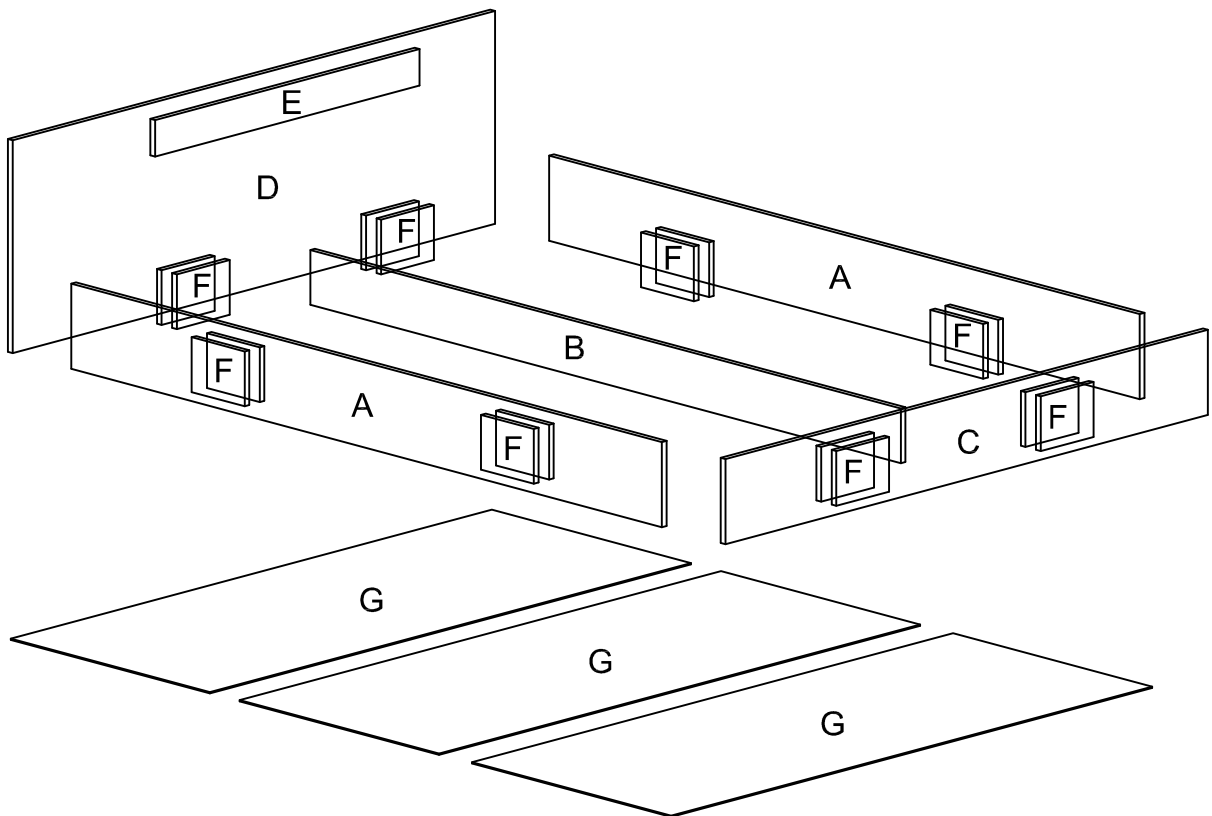
		Box number
A	2x 2010x280	2/8
B	2010x180	3/8
C	1642x280	2/8
D	1642x700	1/8
E	900x120	3/8
F	16x 180x180	3/8
G	3x 678x1638	1/8
H	2x 264x330	4/8
I	2x 264x330	4/8
J	2x 318x330	4/8
K	2x 350x350	4/8
L	2x 260x345	1/8
M	2x 245x347	4/8
N	1800x500	5/8
O	1800x500	5/8
P	1752x500	5/8

		Box number
Q	1168x500	6/8
R	1168x500	6/8
S	2x 384x420	6/8
T	500x80	6/8
U	3x 592x1195	1/8
W	2x 1781x397	7/8
X	1781x397	7/8
Y	634x410	8/8
Z	634x410	8/8
AA	568x410	8/8
AB	568x390	8/8
AC	600x430	8/8
AD	568x80	8/8
AE	2x 565x297	1/8
AF	2x 551x297	8/8

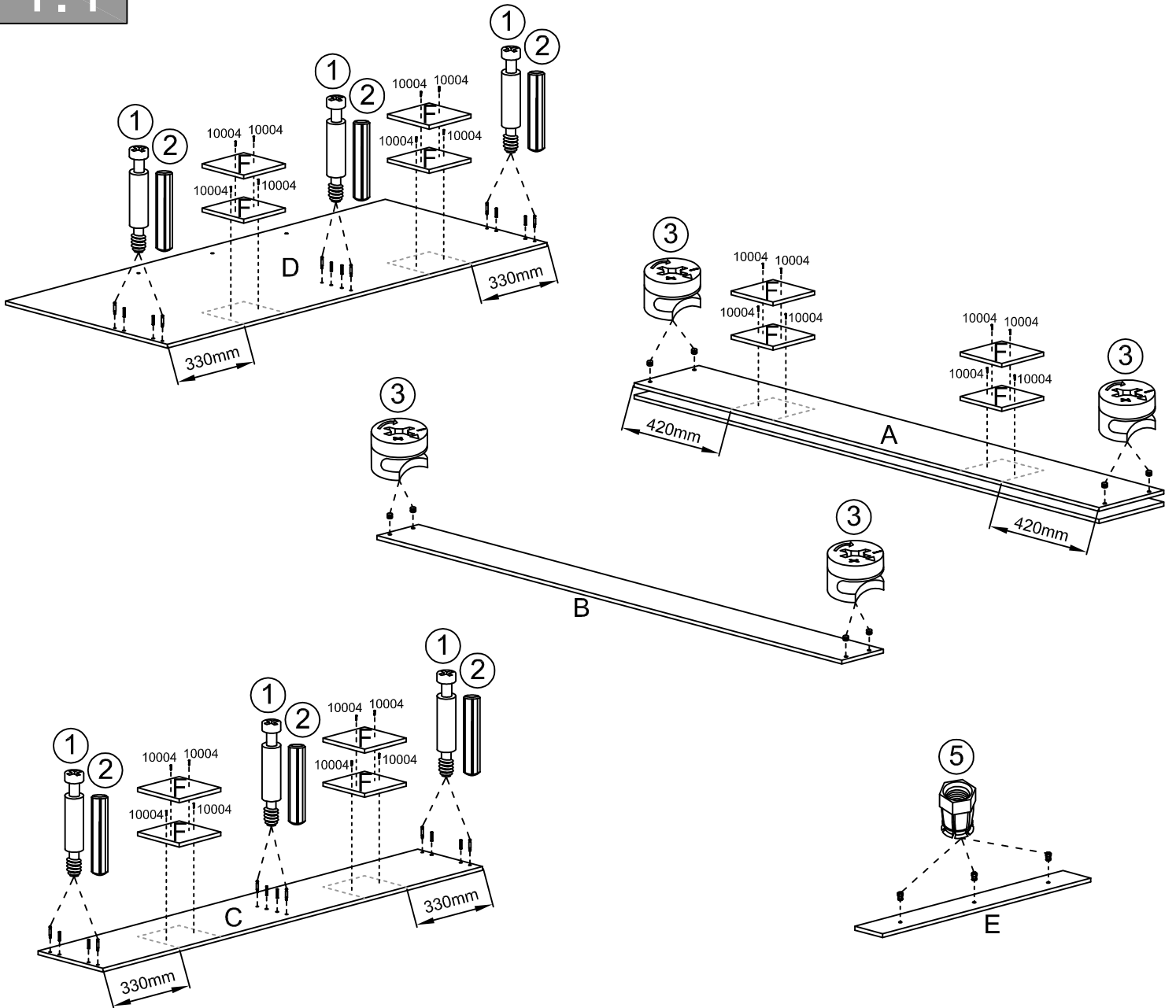




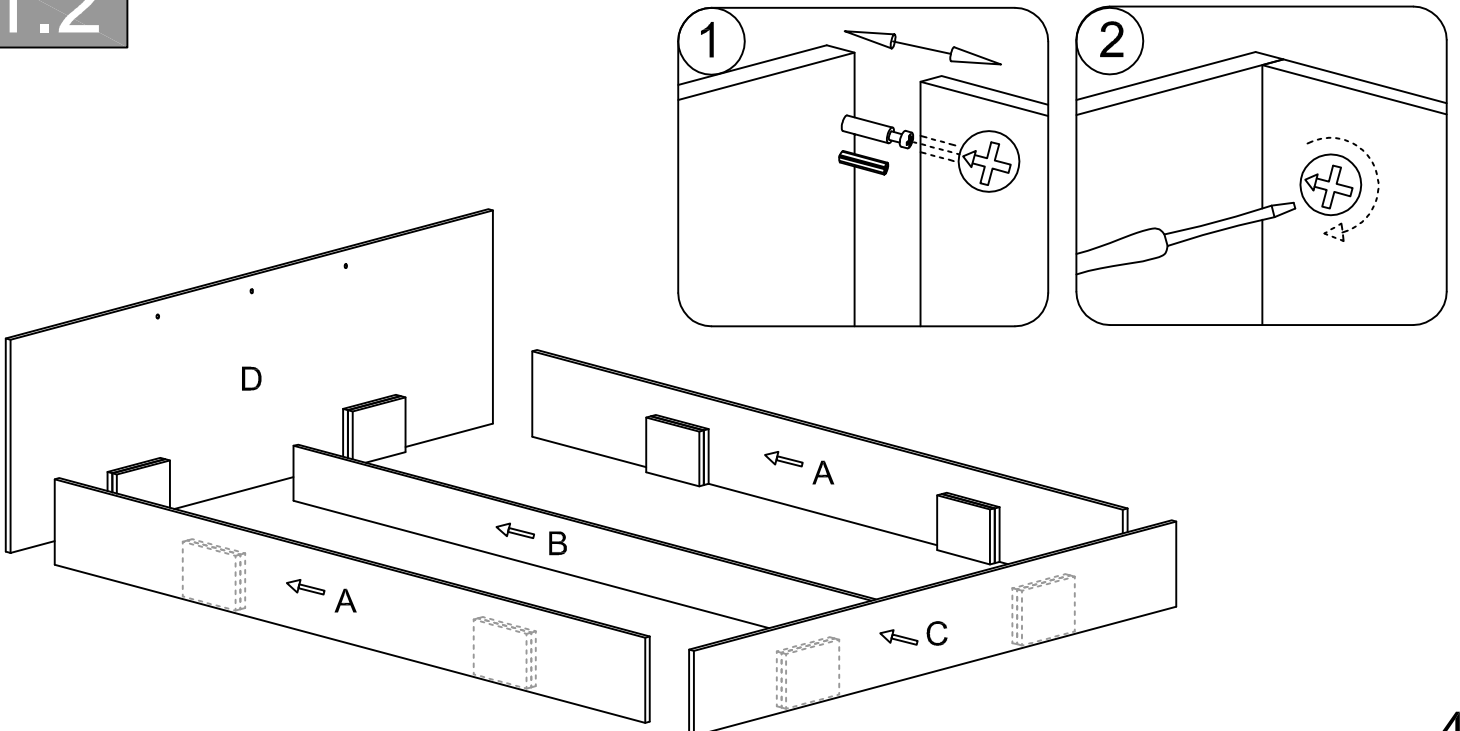
1



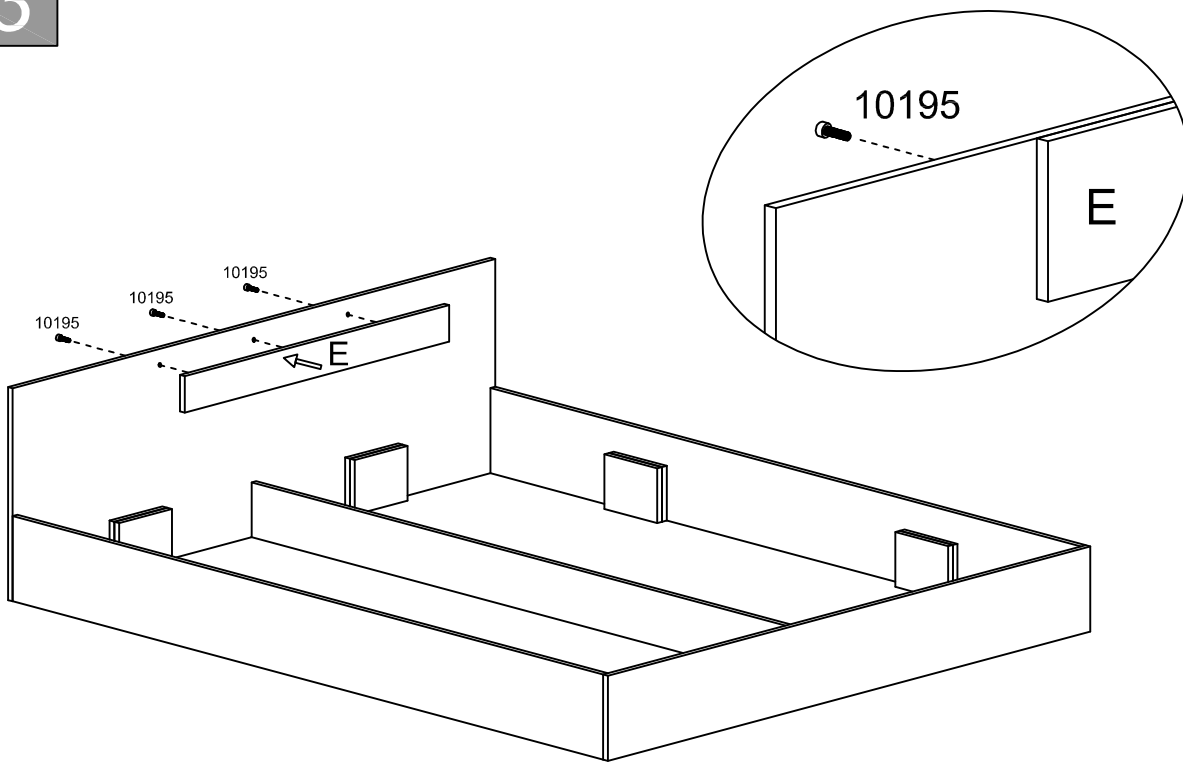
1.1



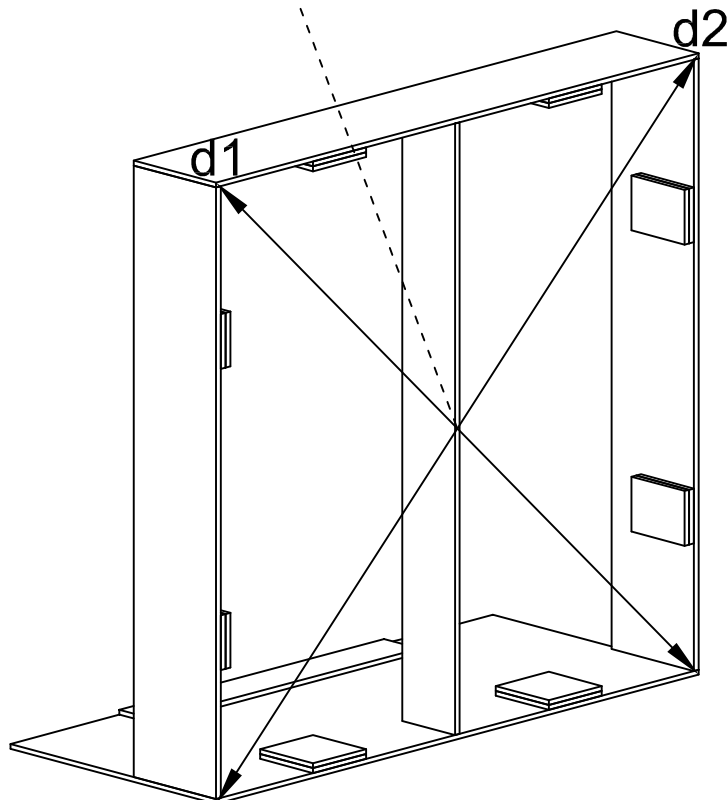
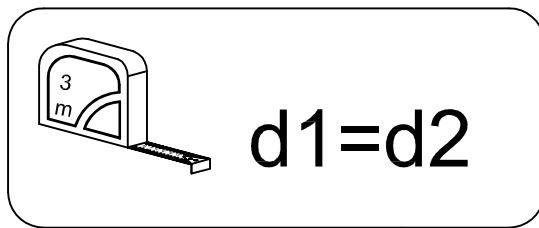
1.2



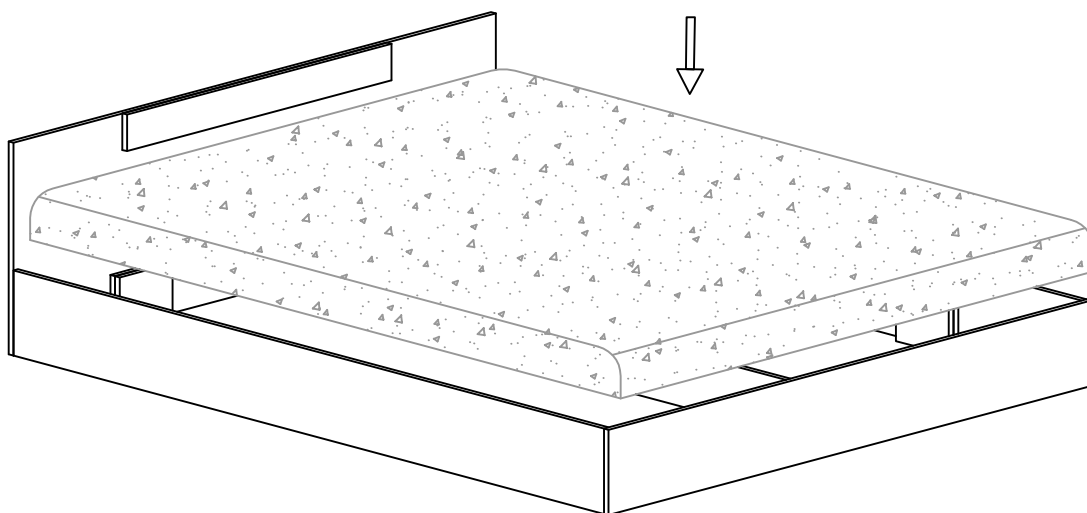
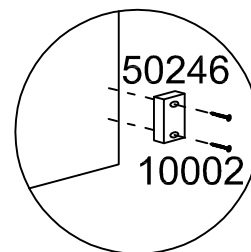
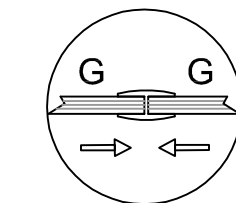
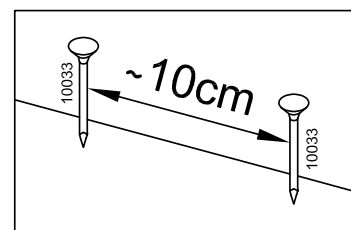
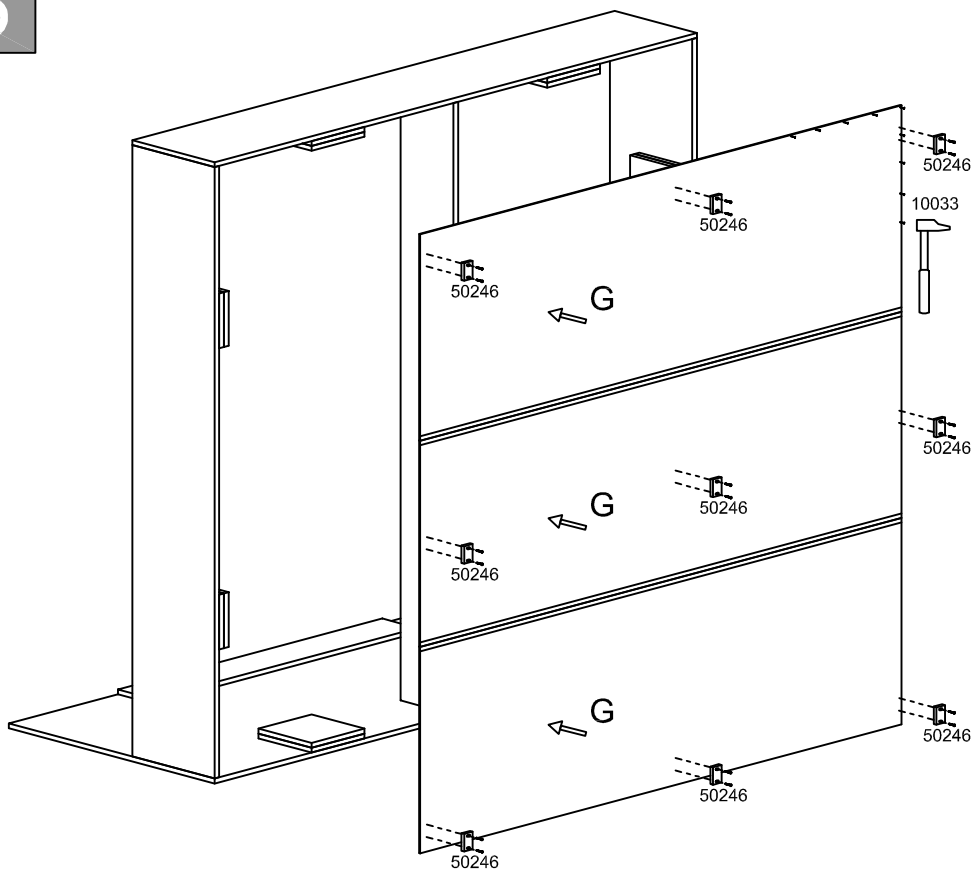
1.3



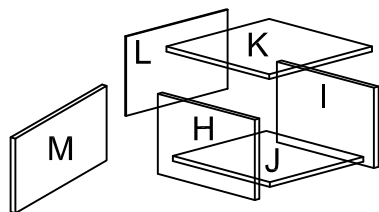
1.4



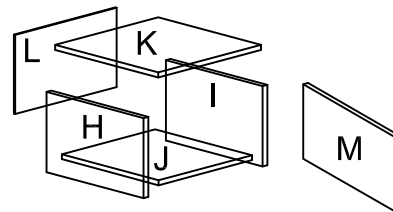
1.5



2

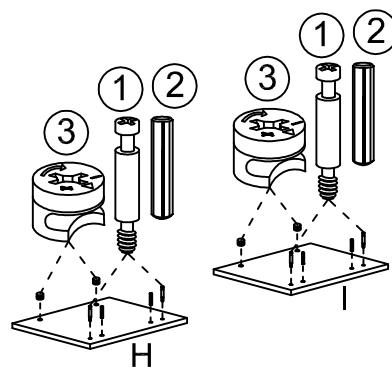
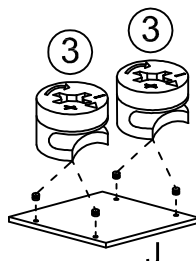
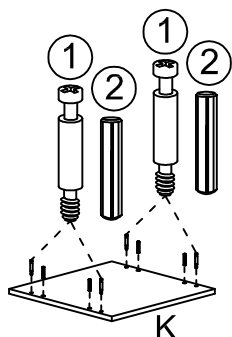


3



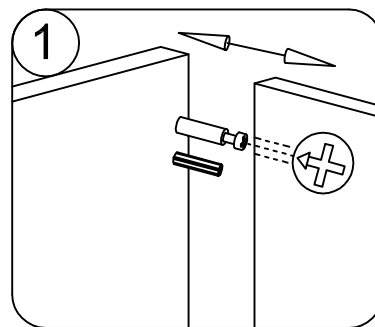
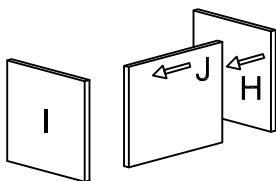
2.1

3.1



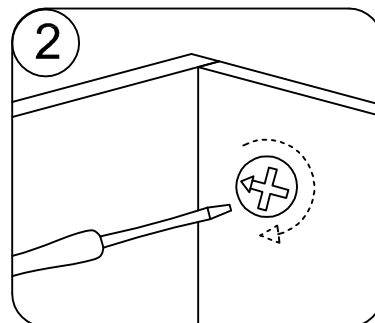
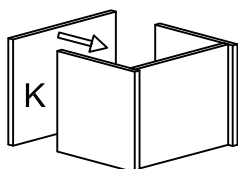
2.2

3.2



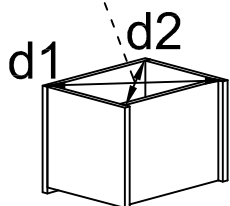
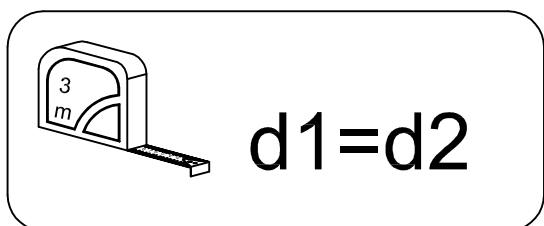
2.3

3.3



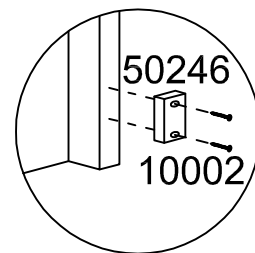
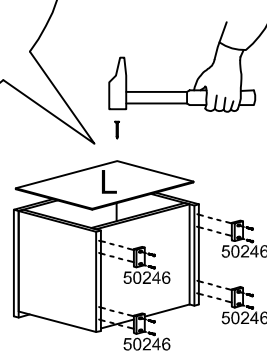
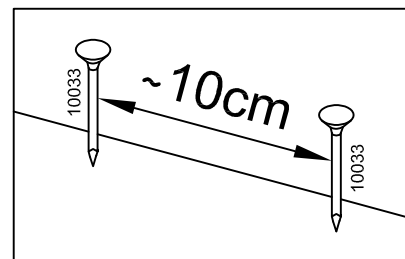
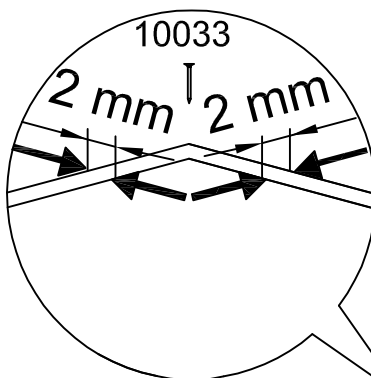
2.4

3.4



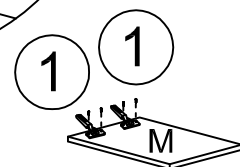
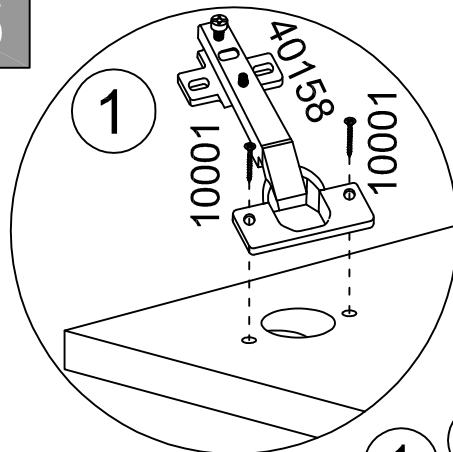
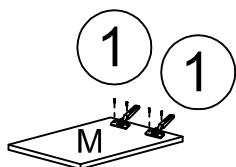
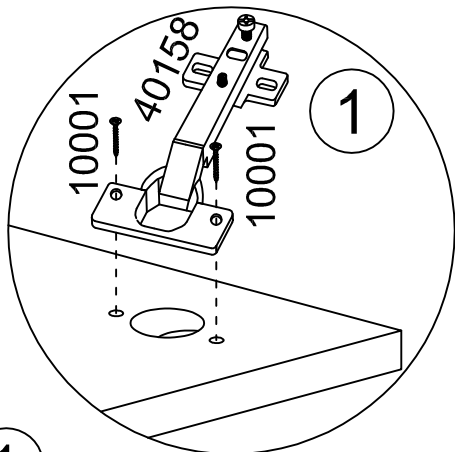
2.5

3.5

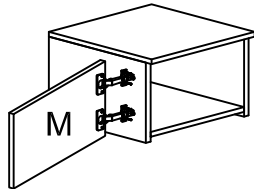
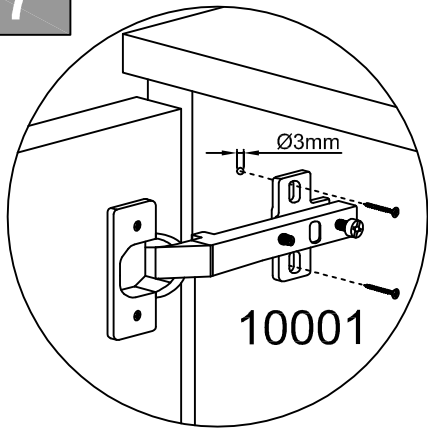


2.6

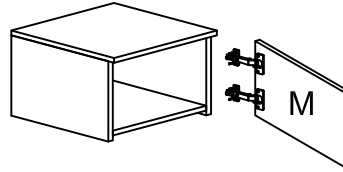
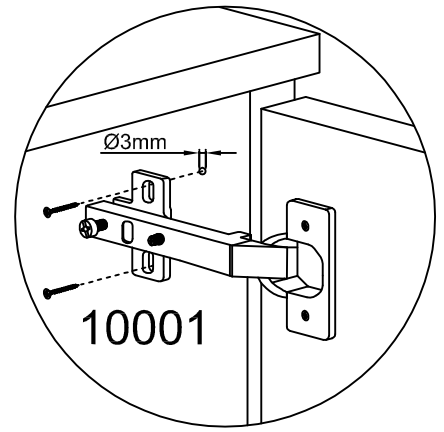
3.6



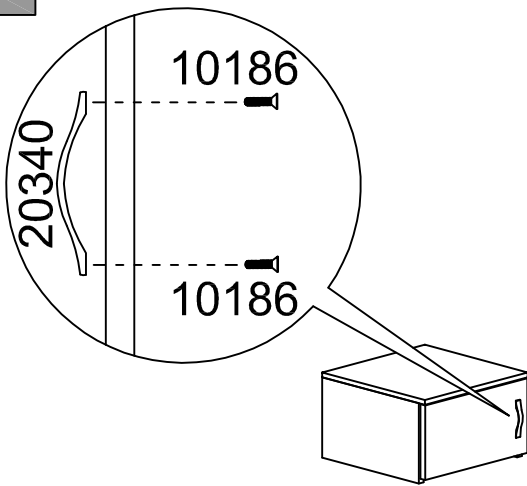
2.7



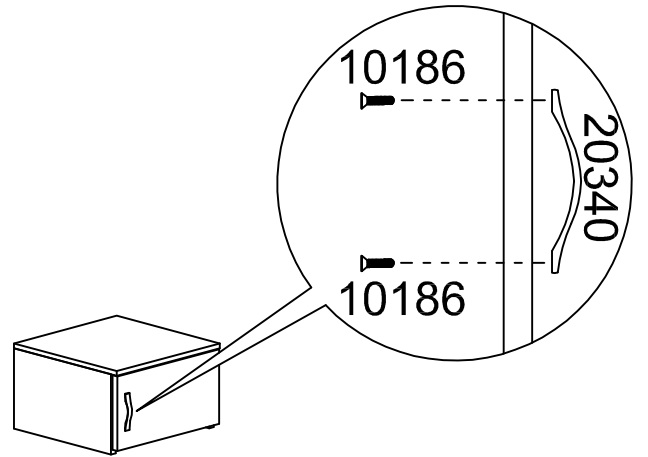
3.7



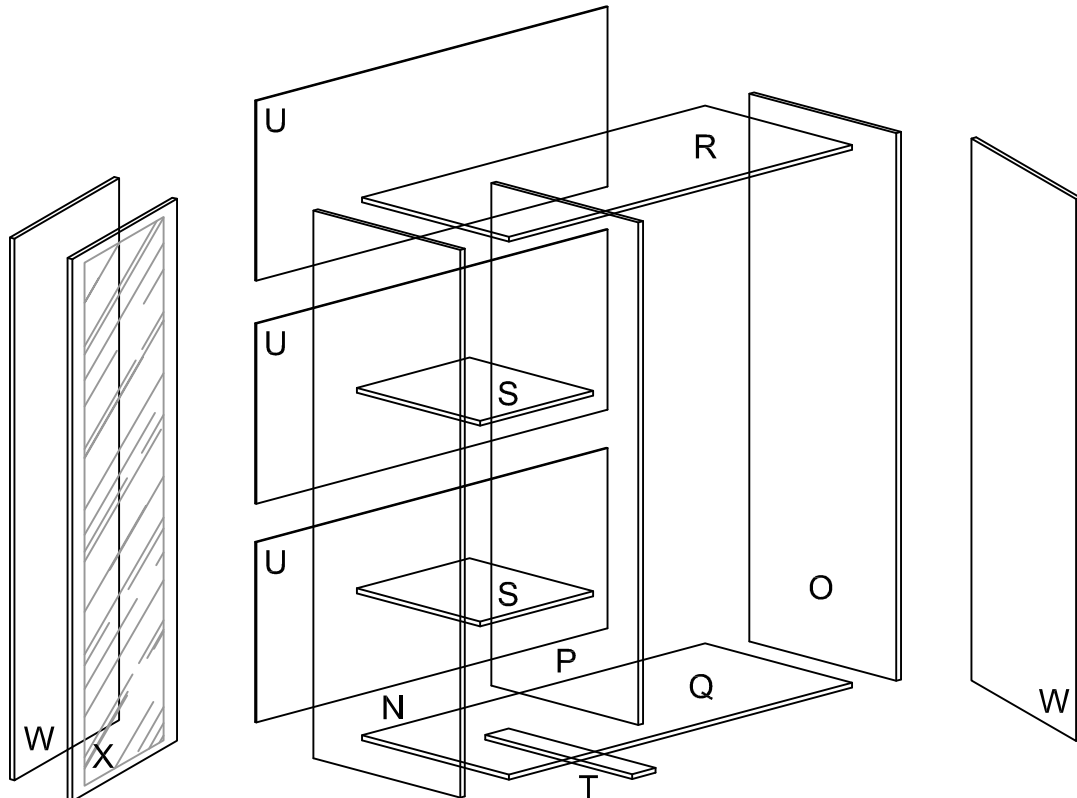
2.8



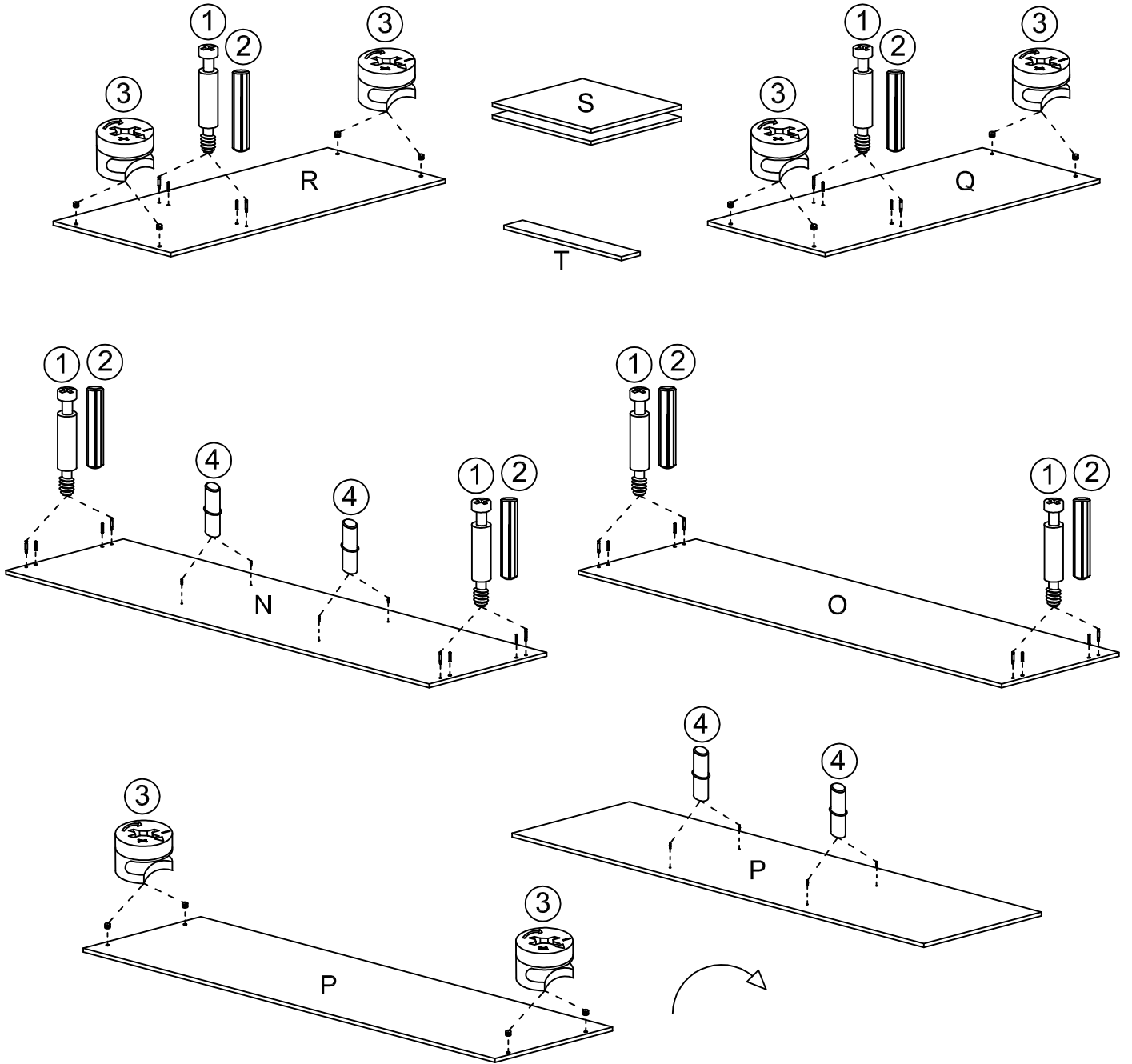
3.8



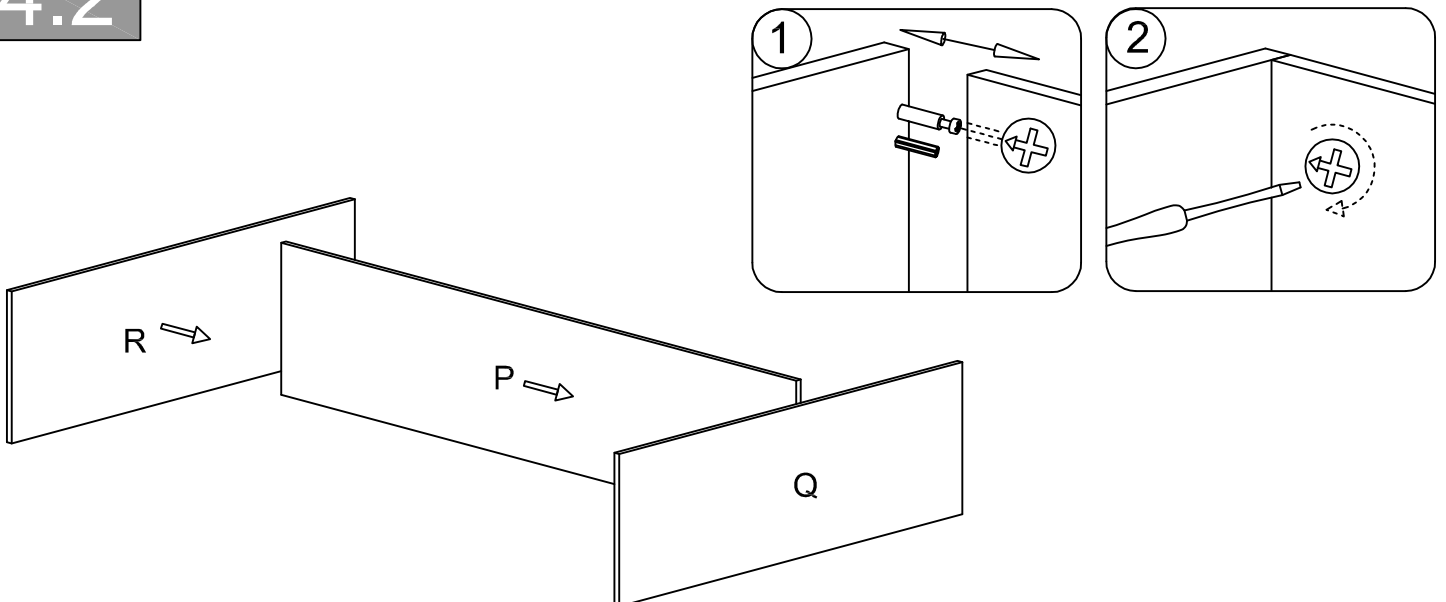
4



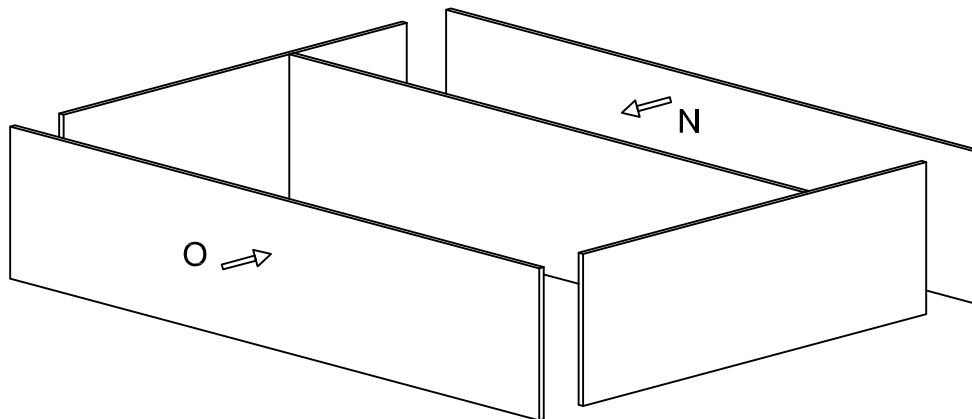
4.1



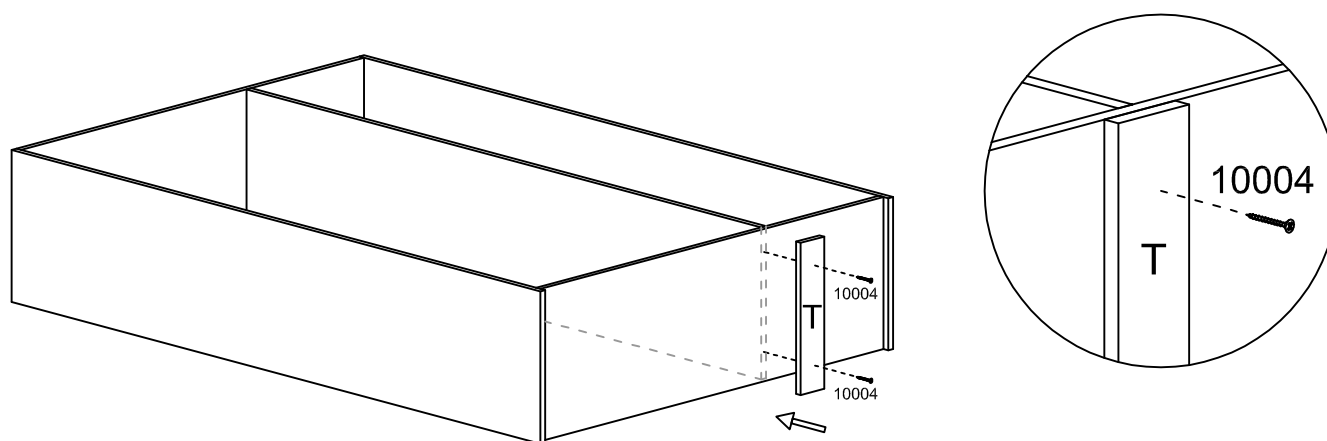
4.2



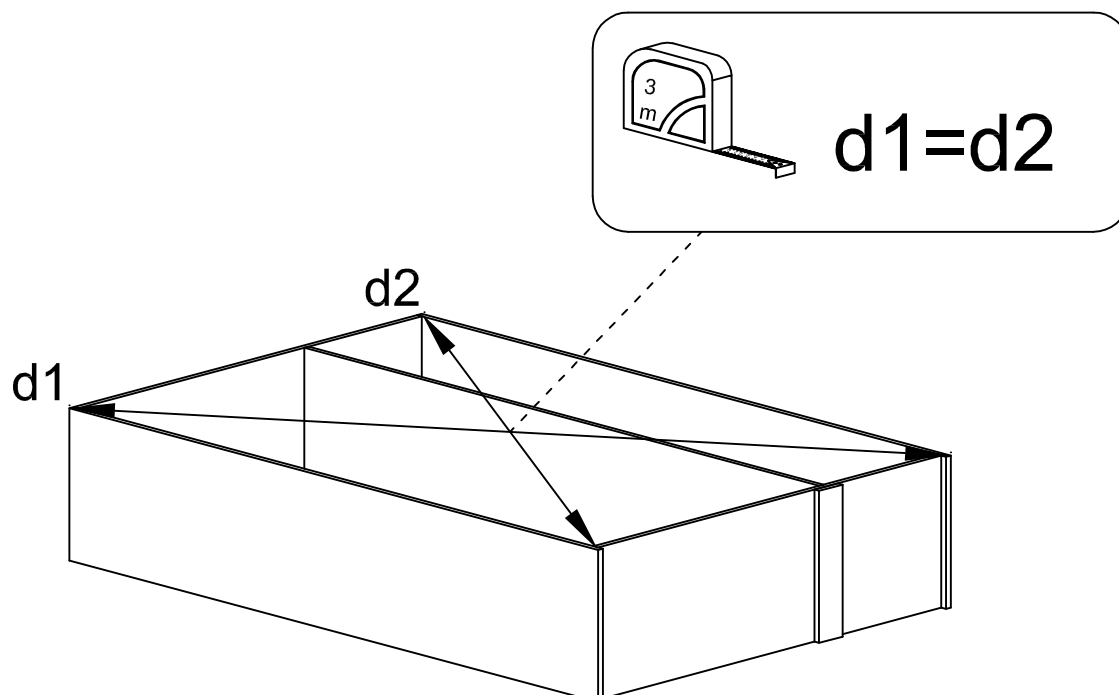
4.3



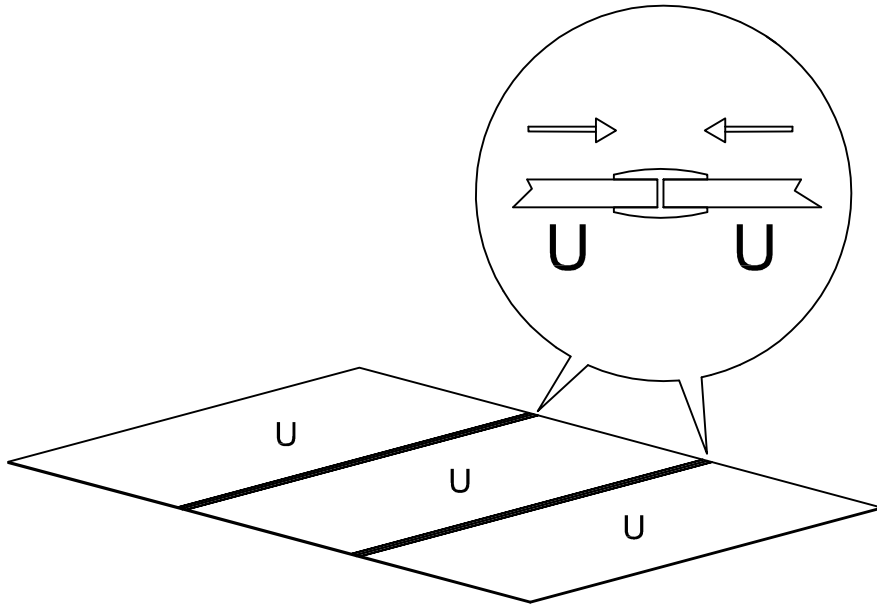
4.4



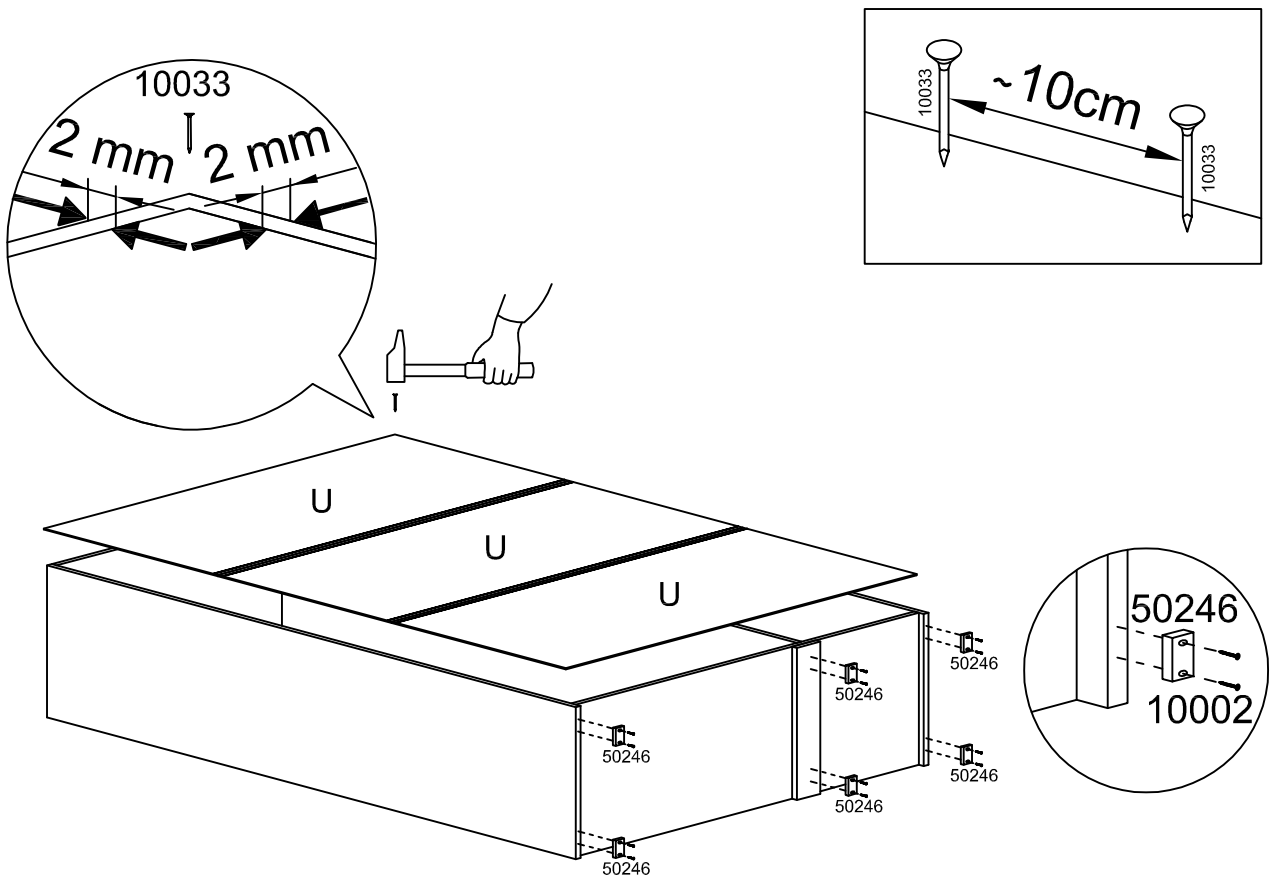
4.5



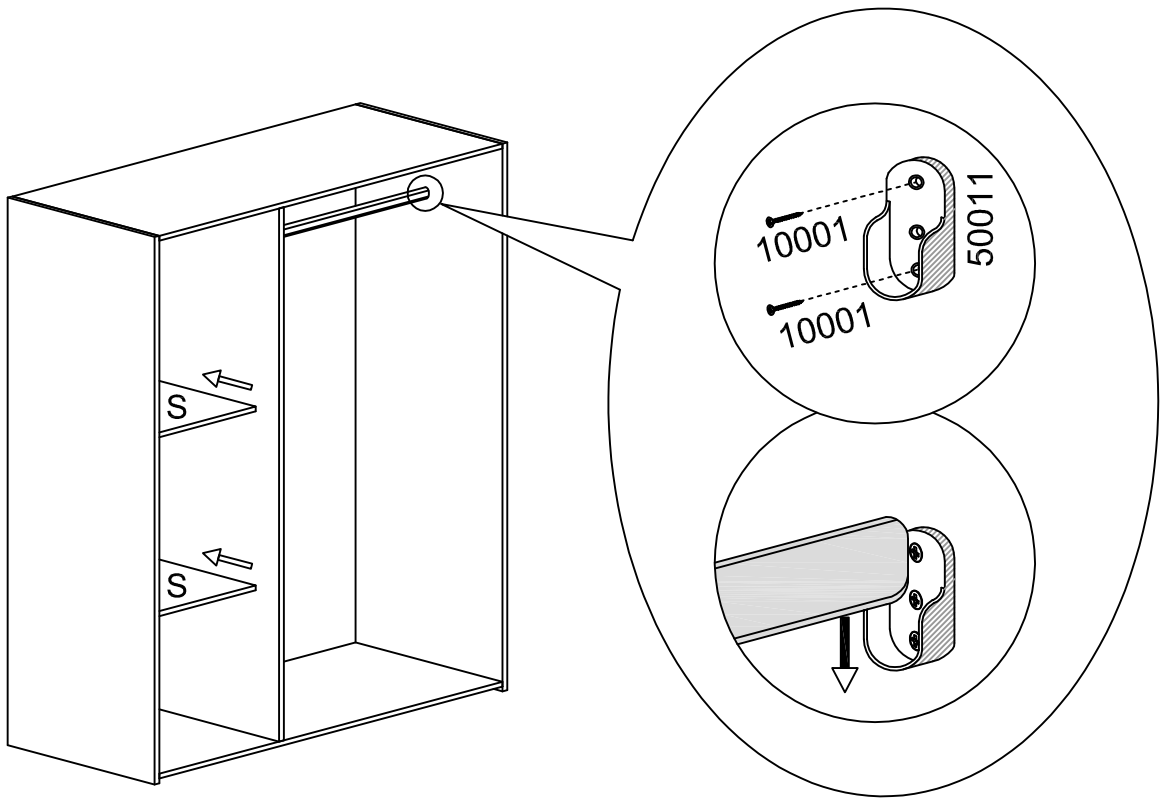
4.6



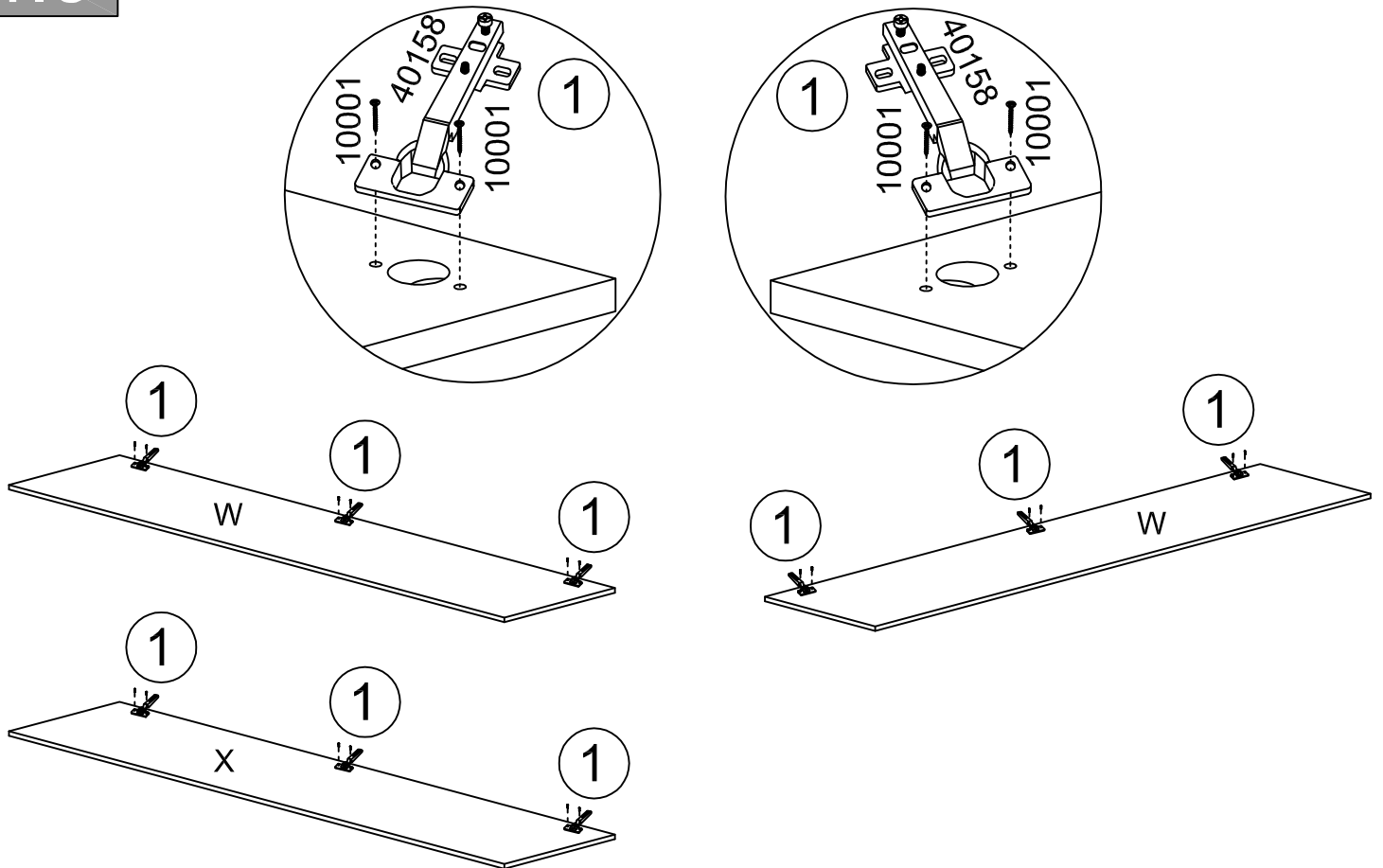
4.7



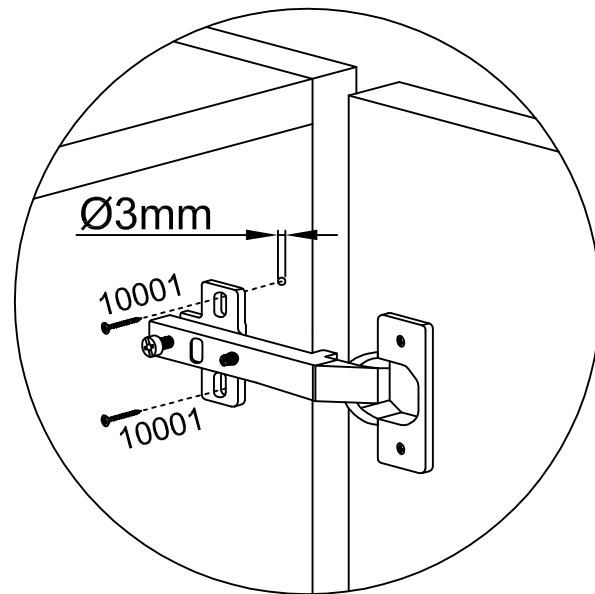
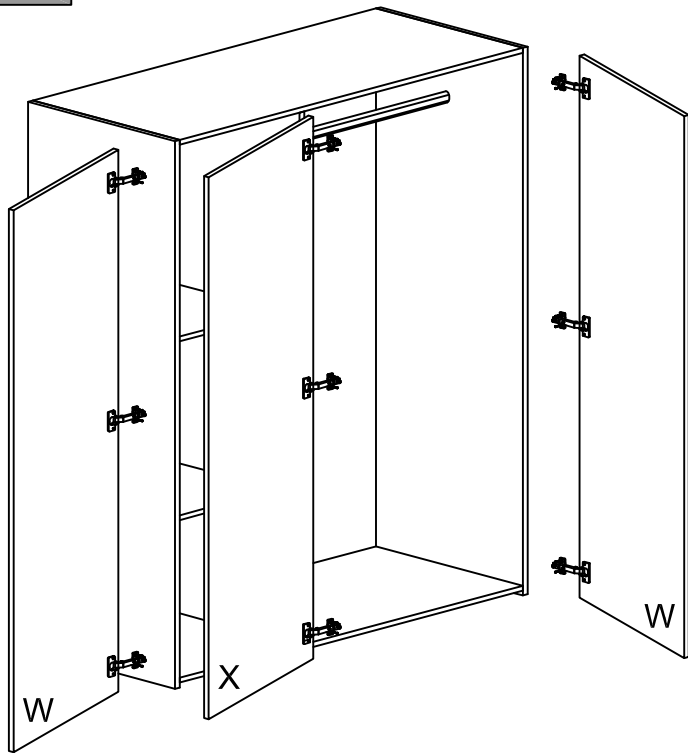
4.8



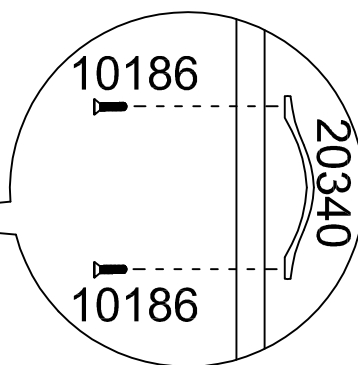
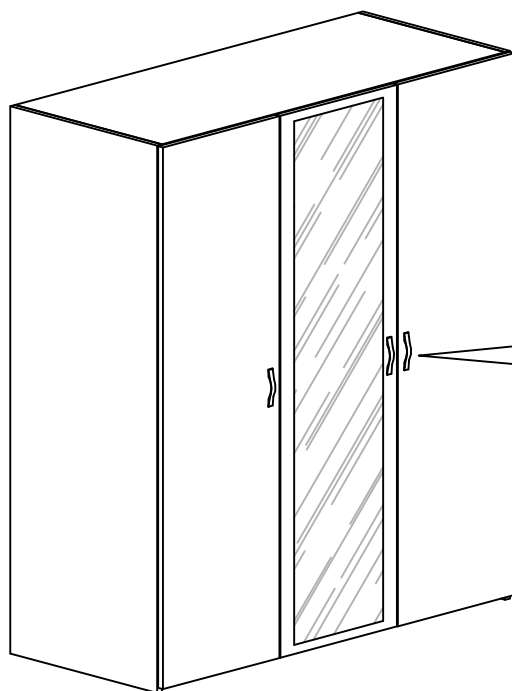
4.9



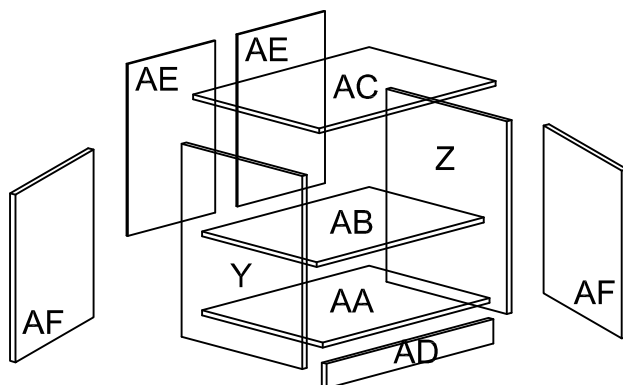
4.10



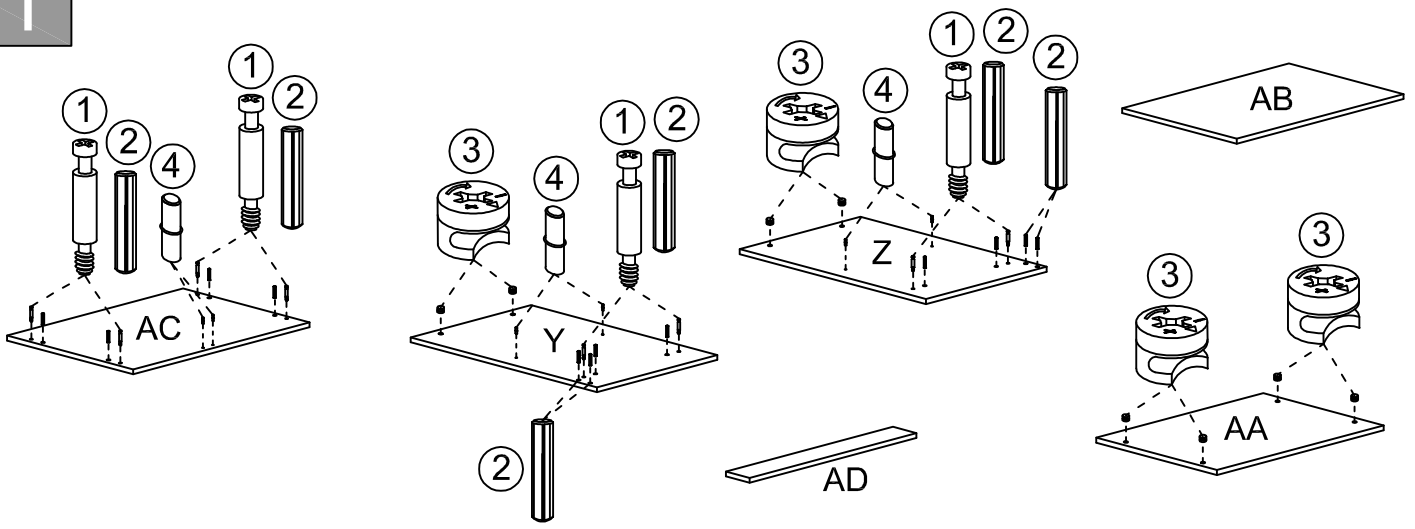
4.11



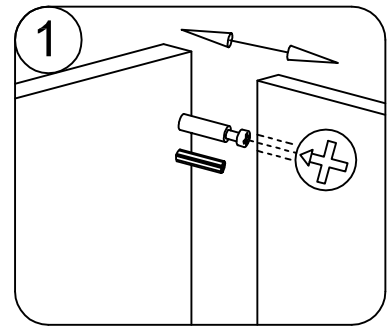
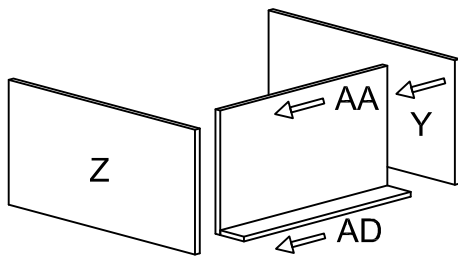
5



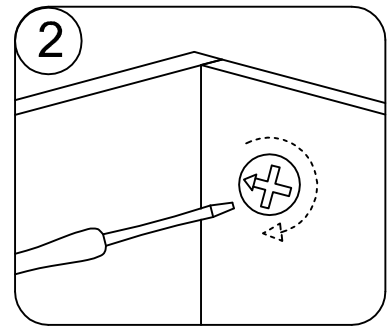
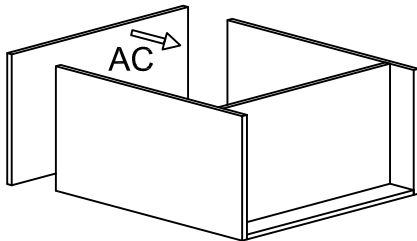
5.1



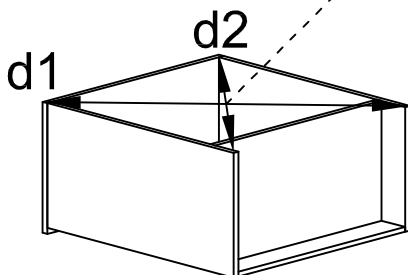
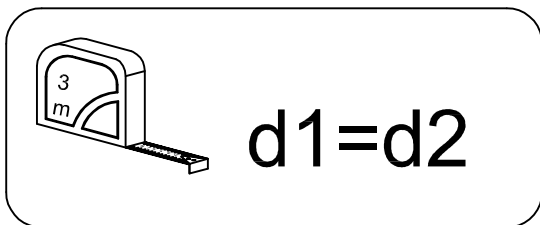
5.2



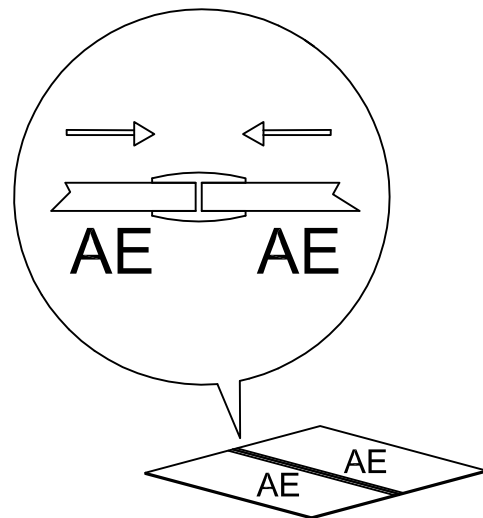
5.3



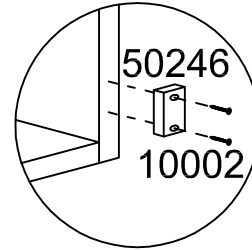
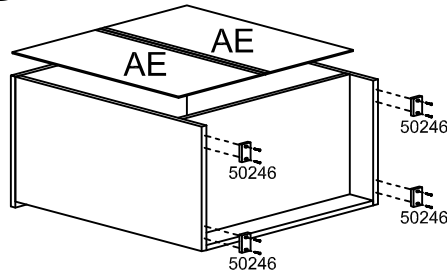
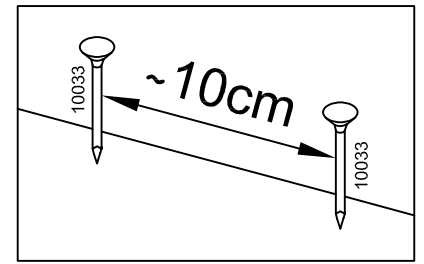
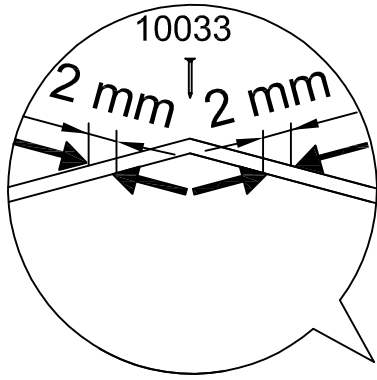
5.4



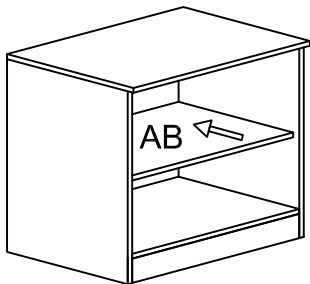
5.5



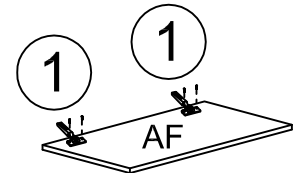
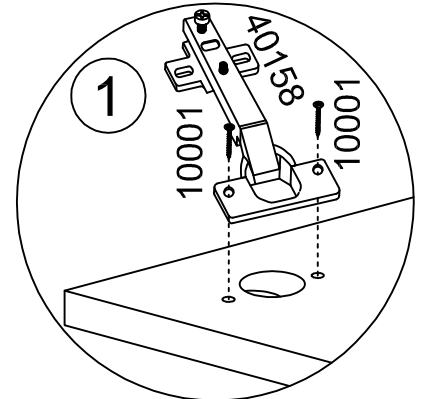
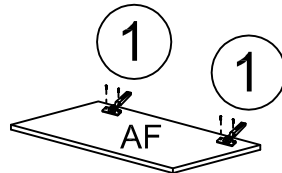
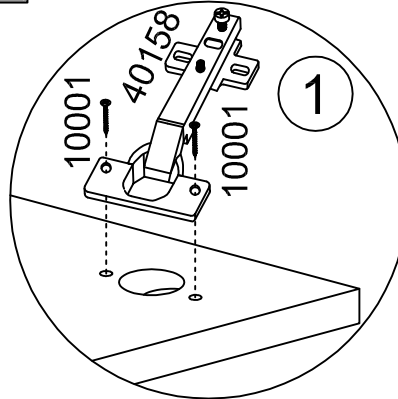
5.6



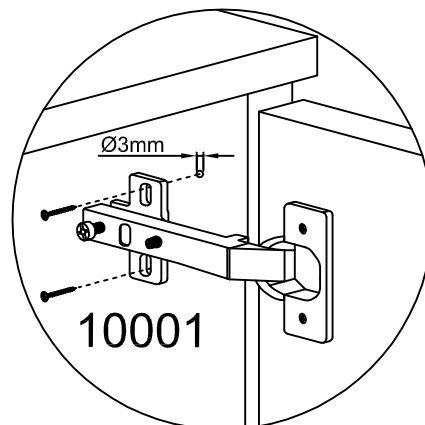
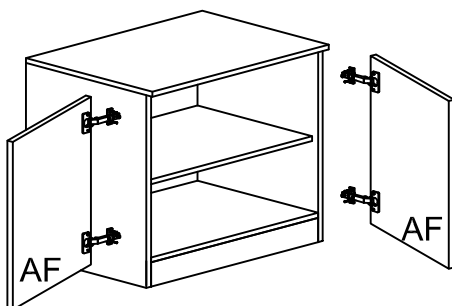
5.7



5.8



5.9



5.10

