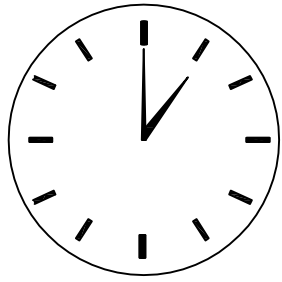
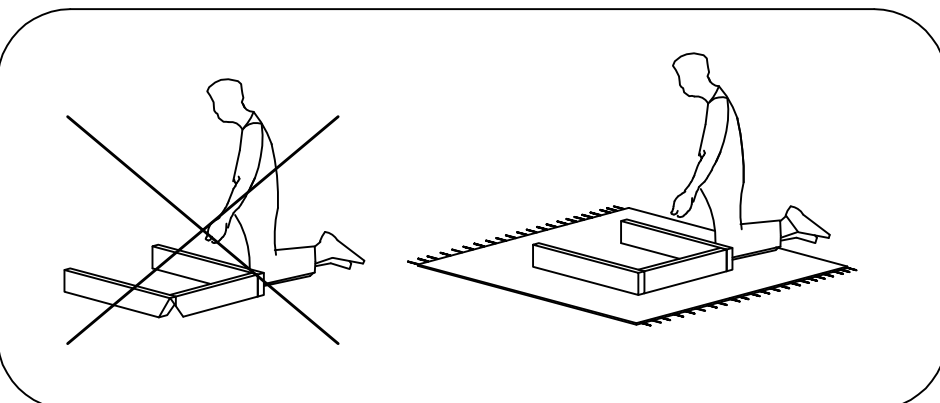
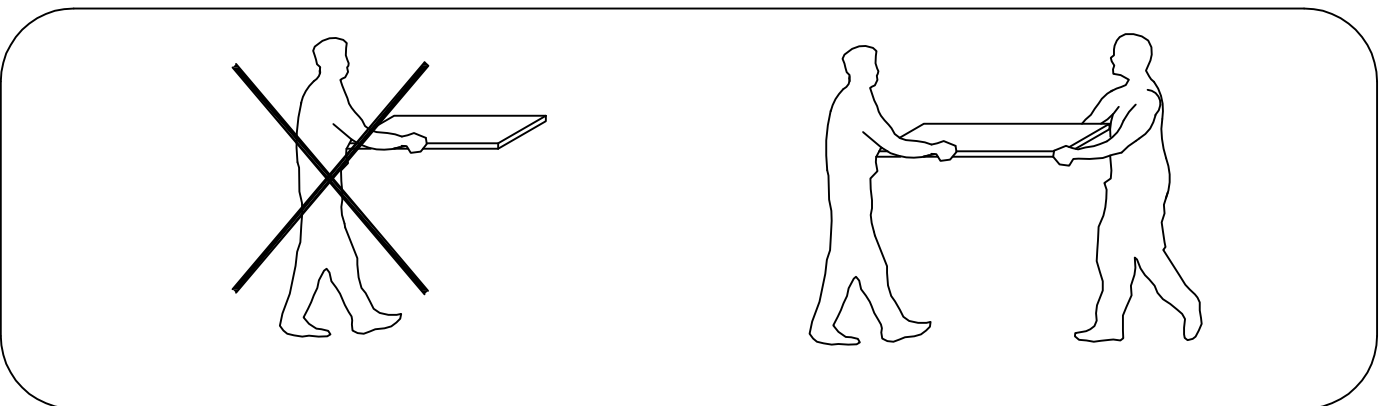
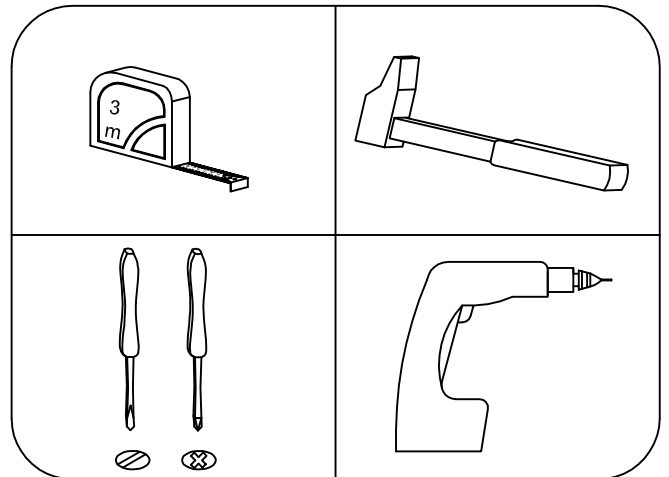
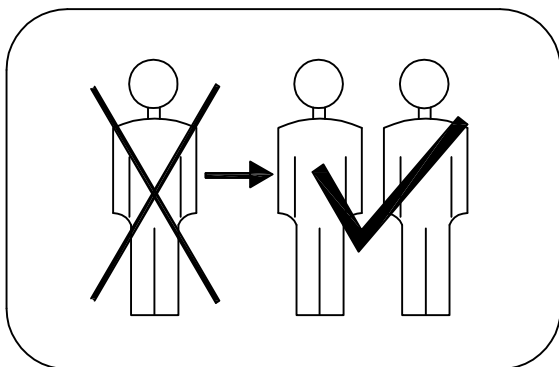
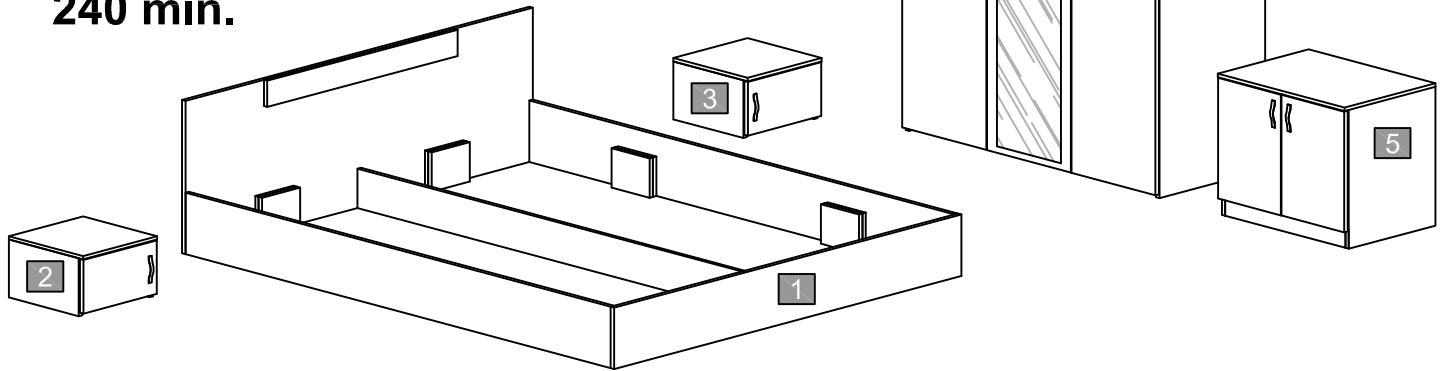


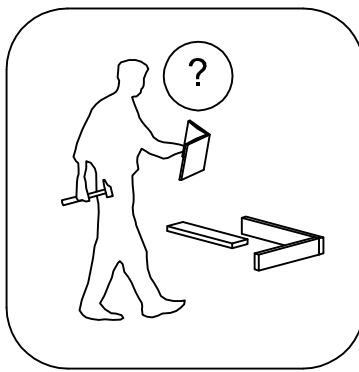
Mow

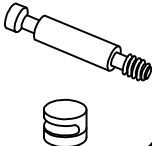

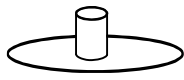
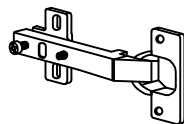
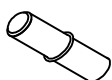
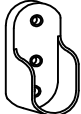
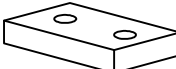


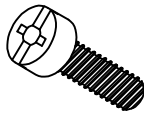
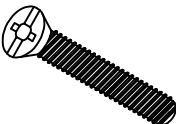
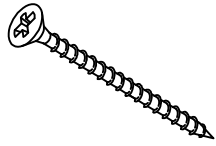
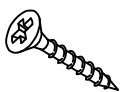

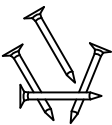


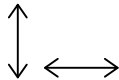
240 min.

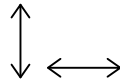


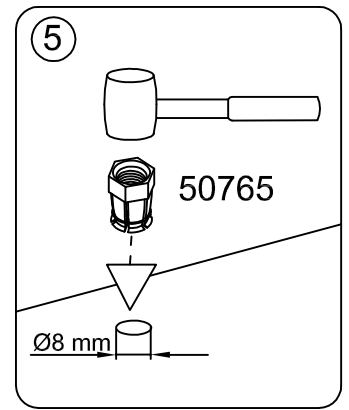
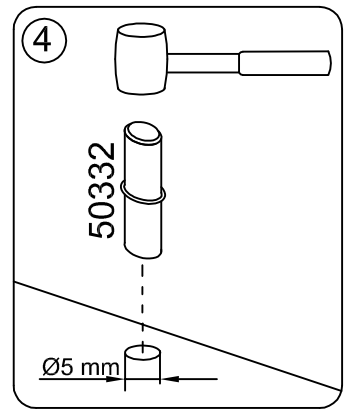
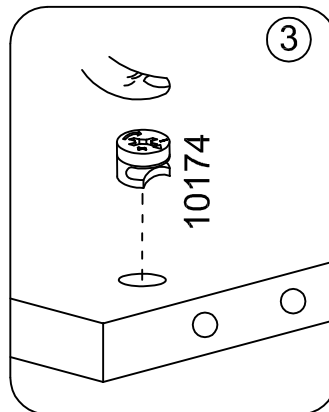
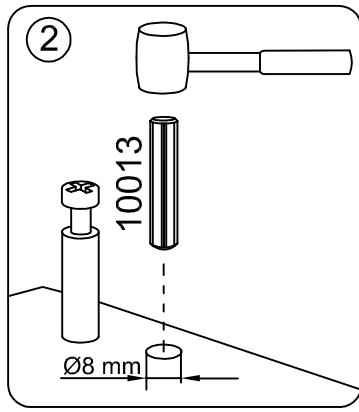
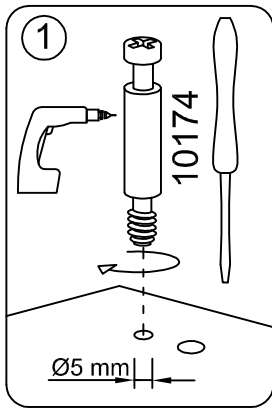
<http://www.irimbg.com/instructions/>



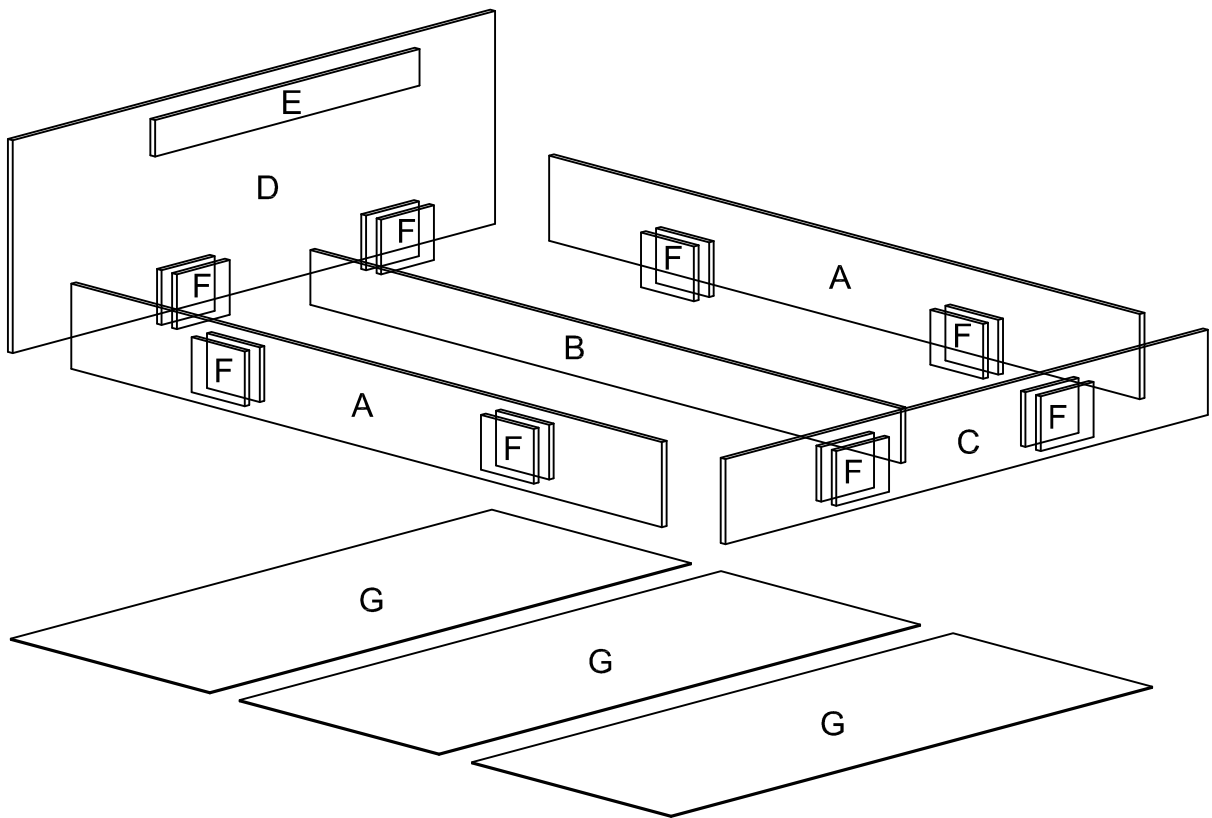
| | | | |
|--|--|---|--|
| 48x  10174 | 52x  Φ 8/30 10013 | 48x  50317 | 17x  40158 |
| 14x  50332 | 2x  50011 | 27x  50246 | 3x  50765 |
| 7x  20340 | 14x  M 4/18 10186 | 3x  M 6x25 10195 | 50x  Φ 3,5/30 10004 |
| 75x  Φ 3,5/16 10001 | 55x  Φ 3,5/20 10002 |  10033 | |

| |  | Box number |
|---|---|------------|
| A | 2x 2010x280 | 2/8 |
| B | 2010x180 | 3/8 |
| C | 1642x280 | 2/8 |
| D | 1642x700 | 1/8 |
| E | 900x120 | 3/8 |
| F | 16x 180x180 | 3/8 |
| G | 3x 678x1638 | 1/8 |
| H | 2x 264x330 | 4/8 |
| I | 2x 264x330 | 4/8 |
| J | 2x 318x330 | 4/8 |
| K | 2x 350x350 | 4/8 |
| L | 2x 260x345 | 1/8 |
| M | 2x 245x347 | 4/8 |
| N | 1800x500 | 5/8 |
| O | 1800x500 | 5/8 |
| P | 1752x500 | 5/8 |

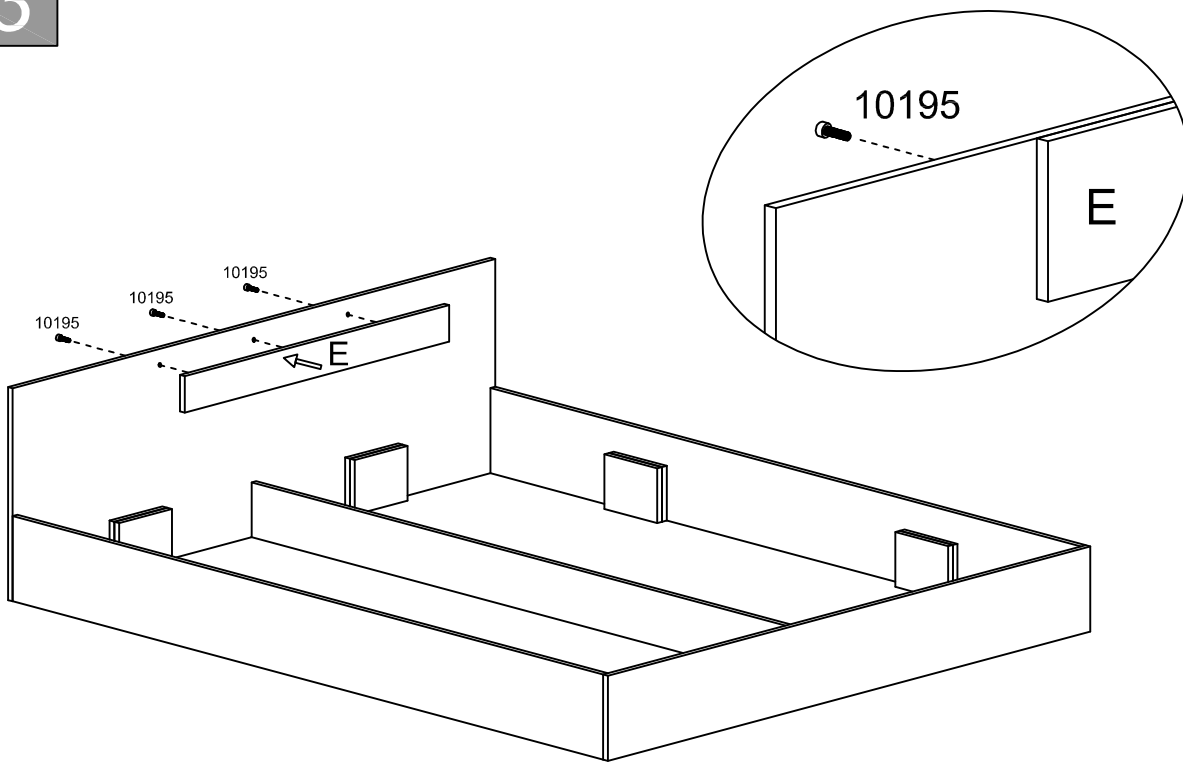
| |  | Box number |
|----|---|------------|
| Q | 1168x500 | 6/8 |
| R | 1168x500 | 6/8 |
| S | 2x 384x420 | 6/8 |
| T | 500x80 | 6/8 |
| U | 3x 592x1195 | 1/8 |
| W | 2x 1781x397 | 7/8 |
| X | 1781x397 | 7/8 |
| Y | 634x410 | 8/8 |
| Z | 634x410 | 8/8 |
| AA | 568x410 | 8/8 |
| AB | 568x390 | 8/8 |
| AC | 600x430 | 8/8 |
| AD | 568x80 | 8/8 |
| AE | 2x 565x297 | 1/8 |
| AF | 2x 551x297 | 8/8 |



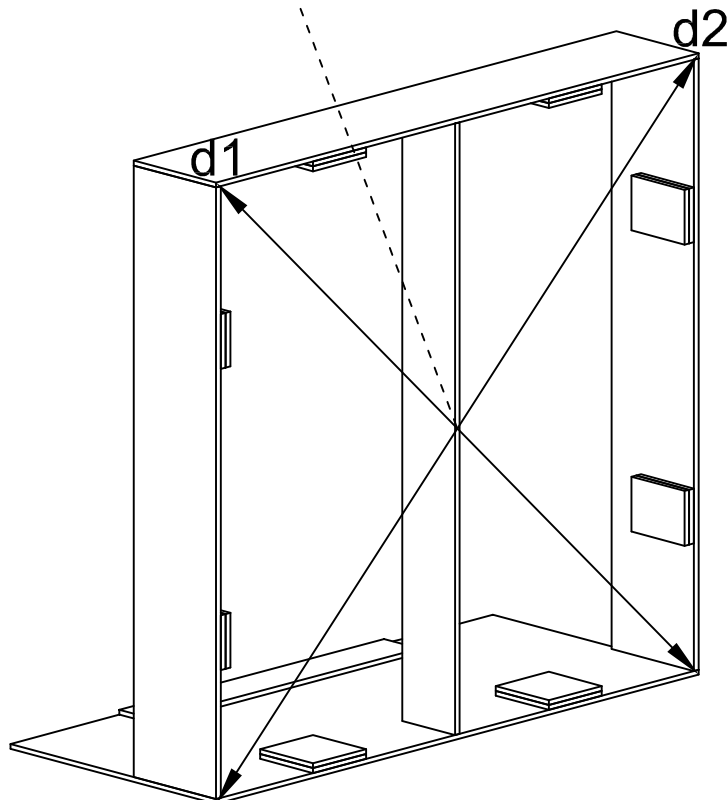
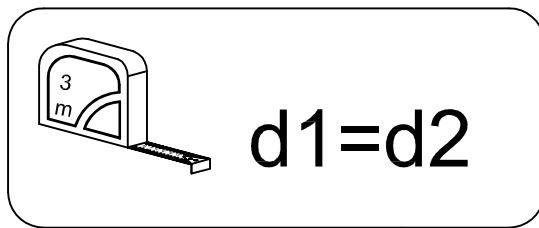
1



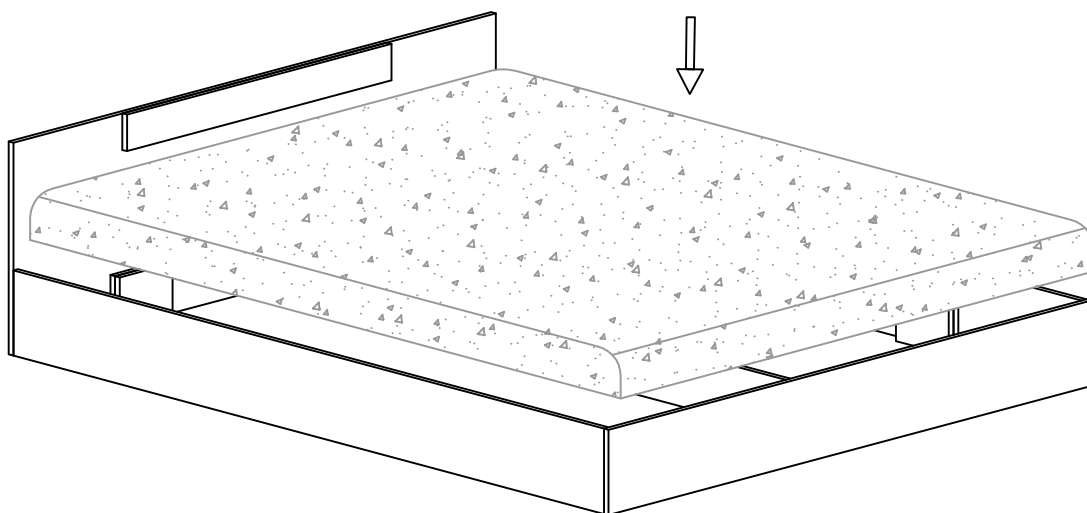
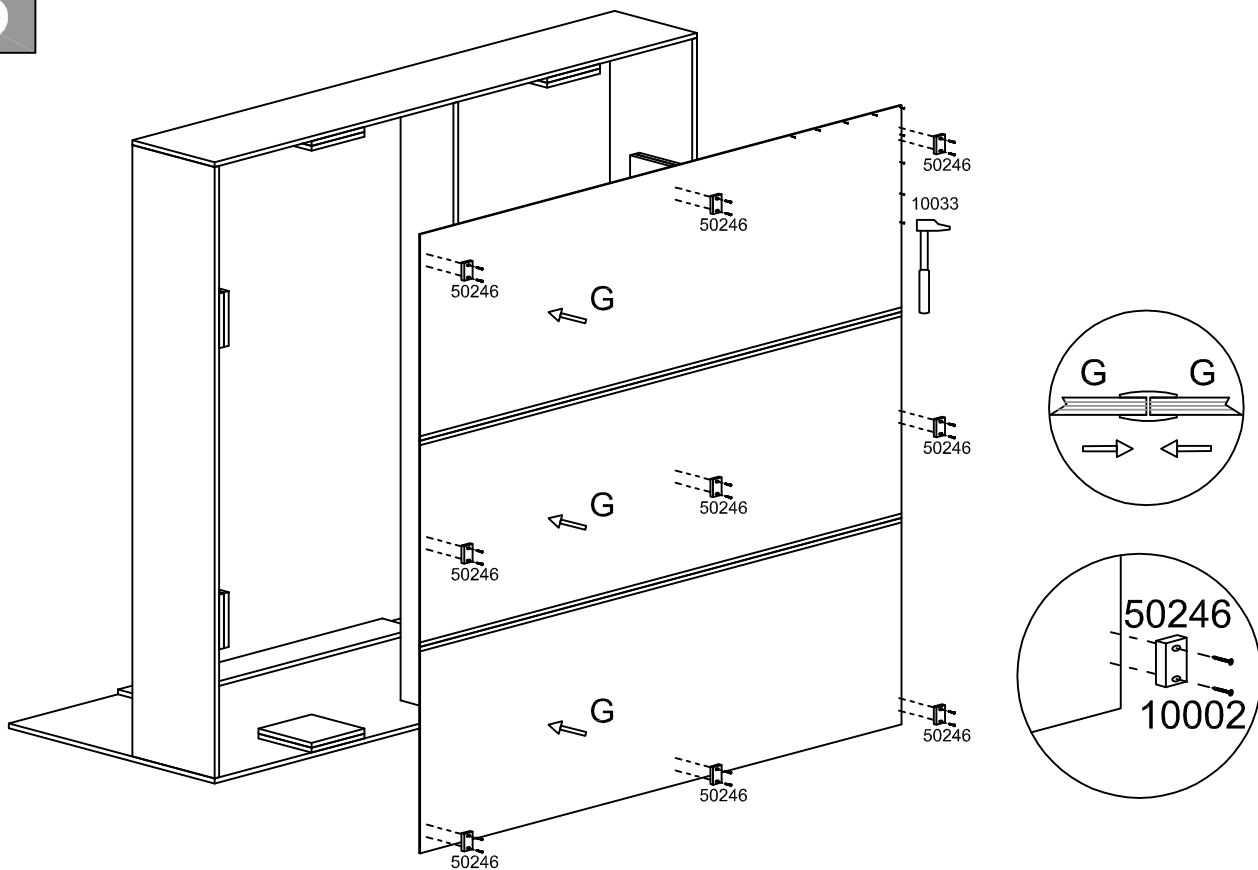
1.3



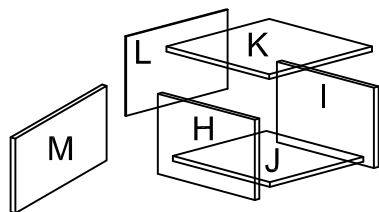
1.4



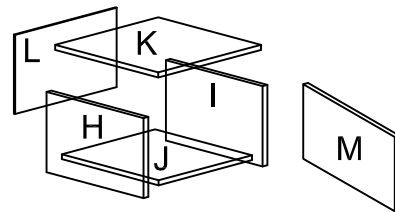
1.5



2

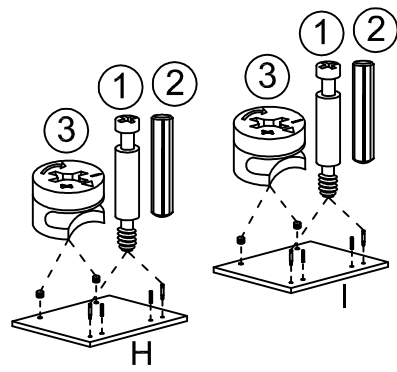
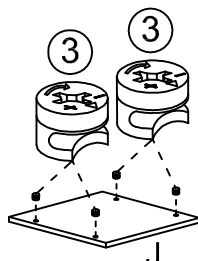
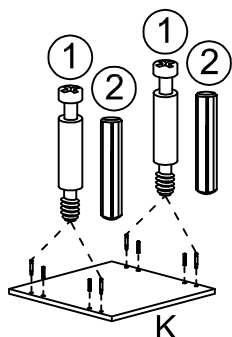


3



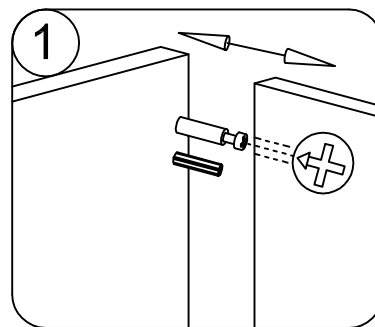
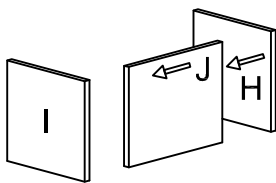
2.1

3.1



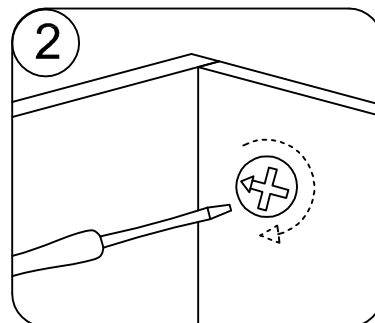
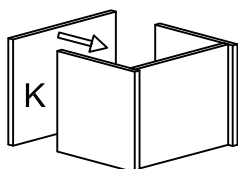
2.2

3.2



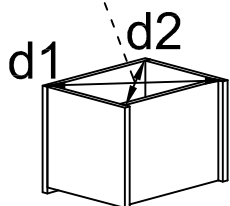
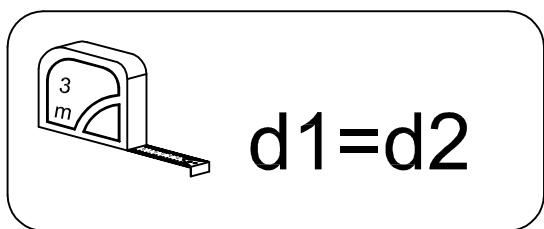
2.3

3.3



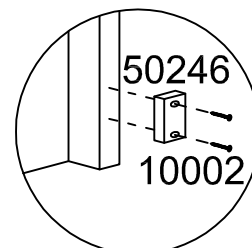
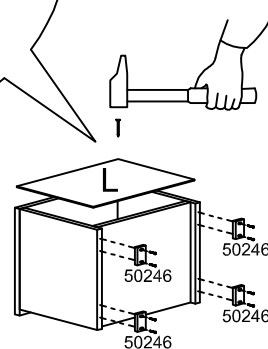
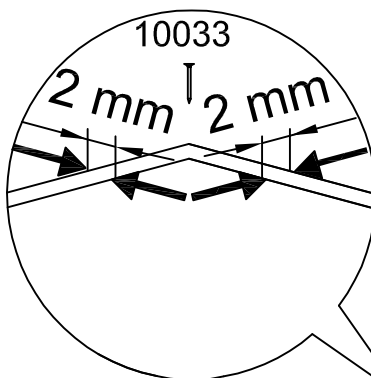
2.4

3.4



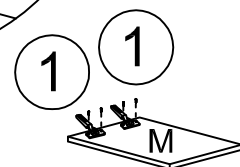
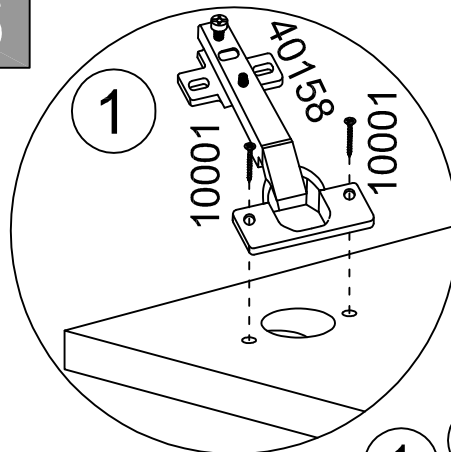
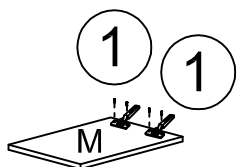
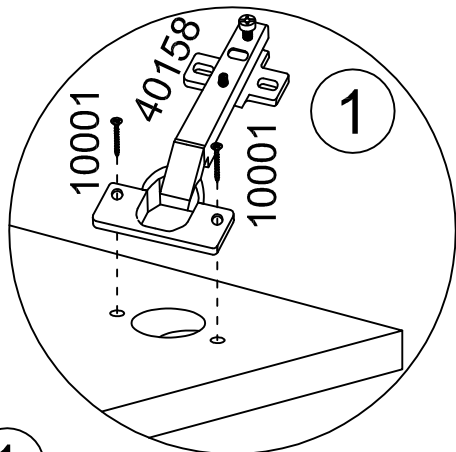
2.5

3.5

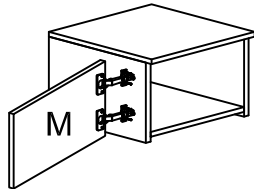
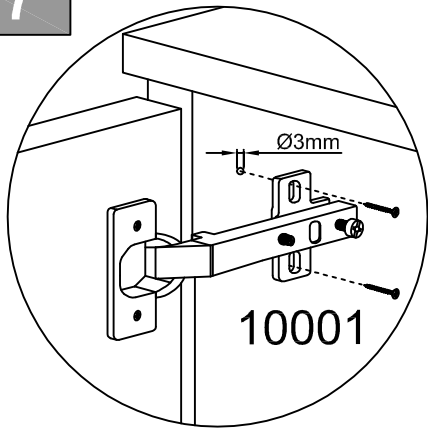


2.6

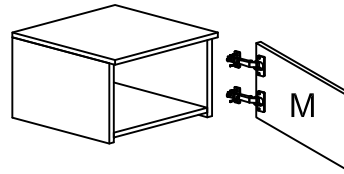
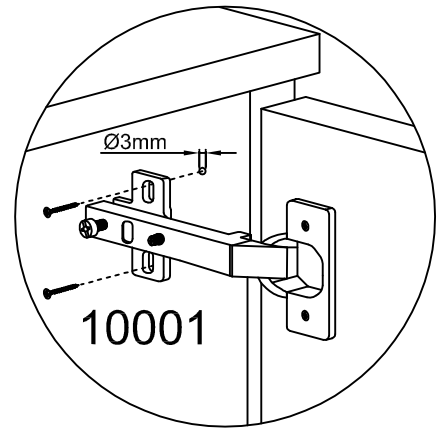
3.6



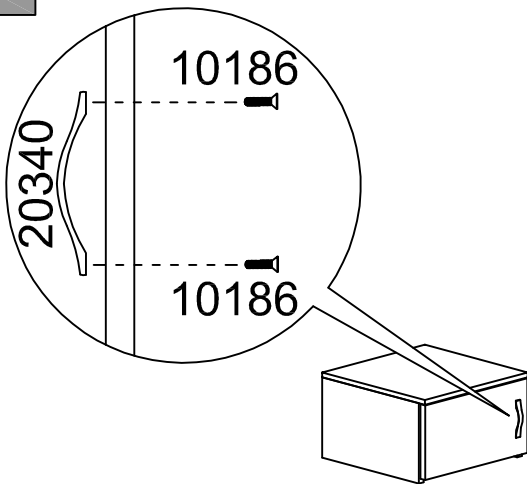
2.7



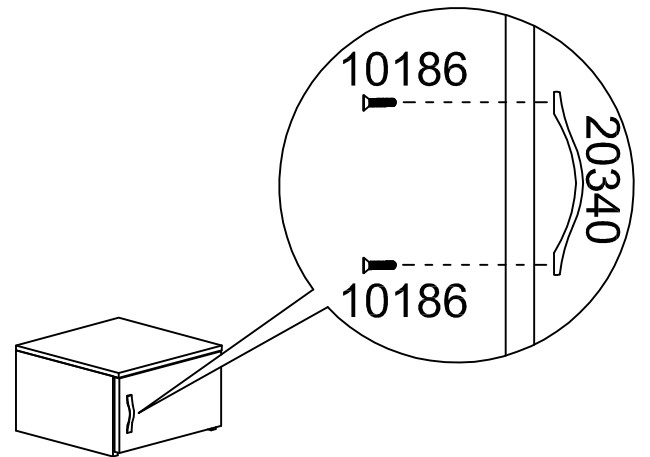
3.7



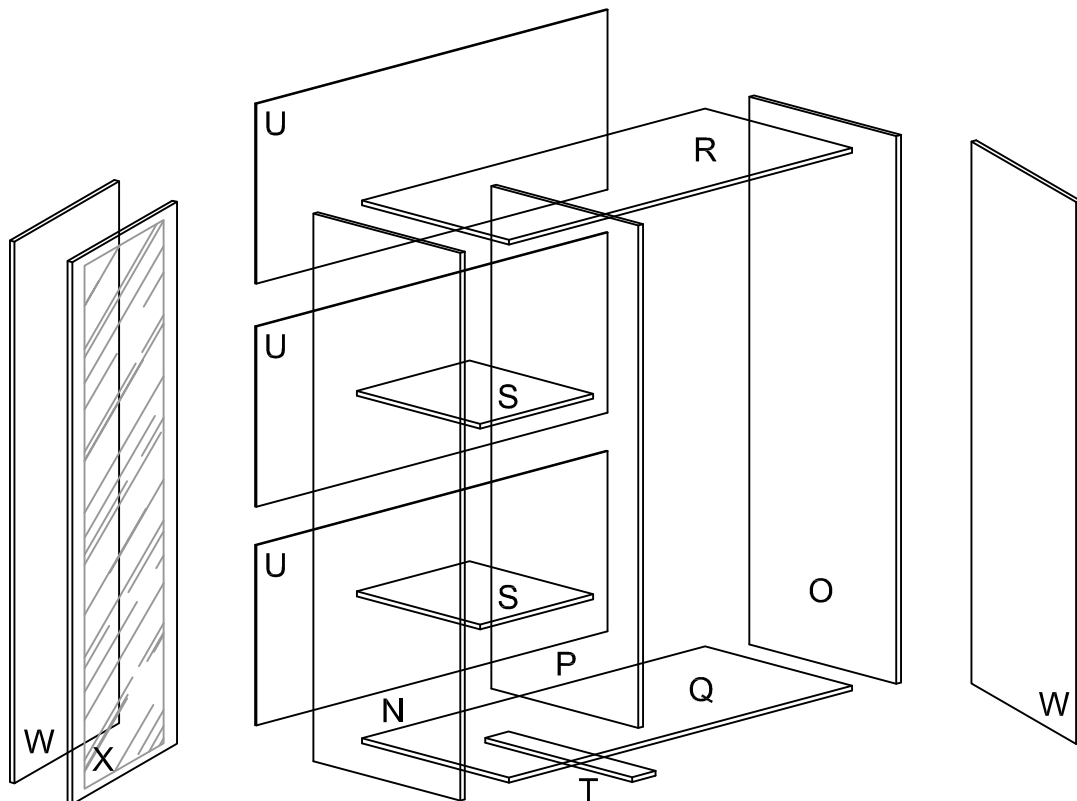
2.8



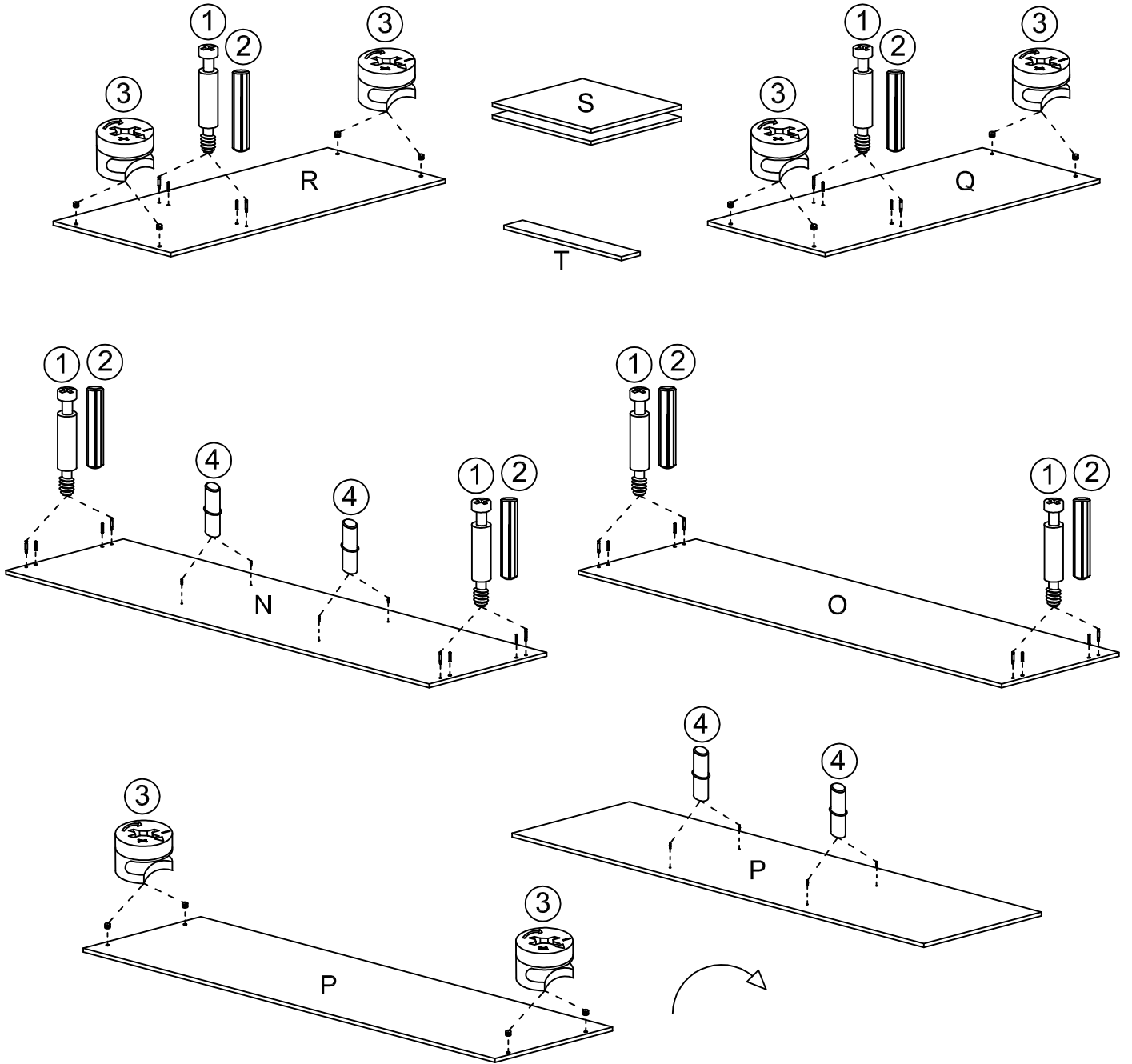
3.8



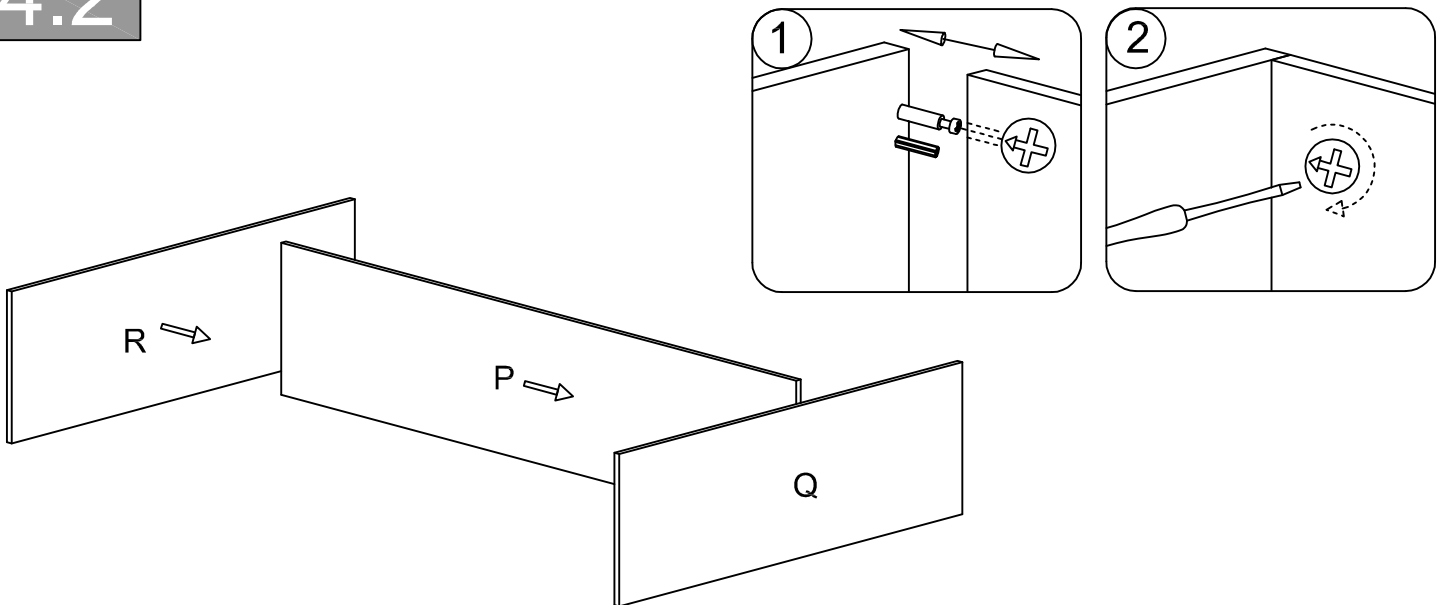
4



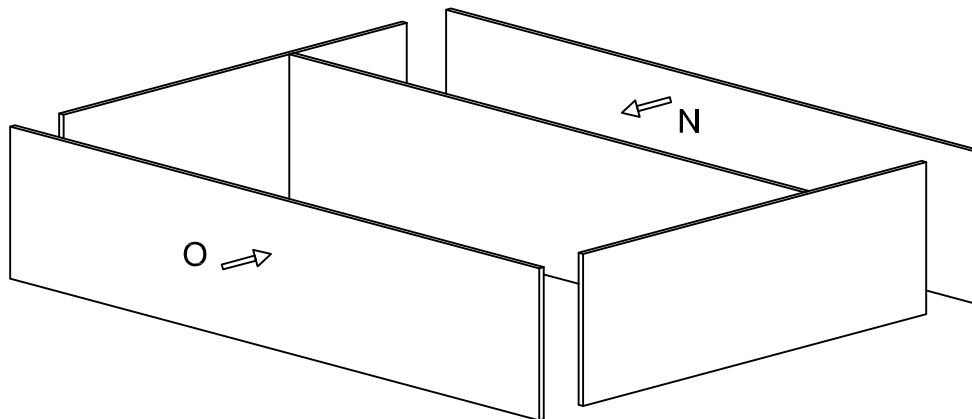
4.1



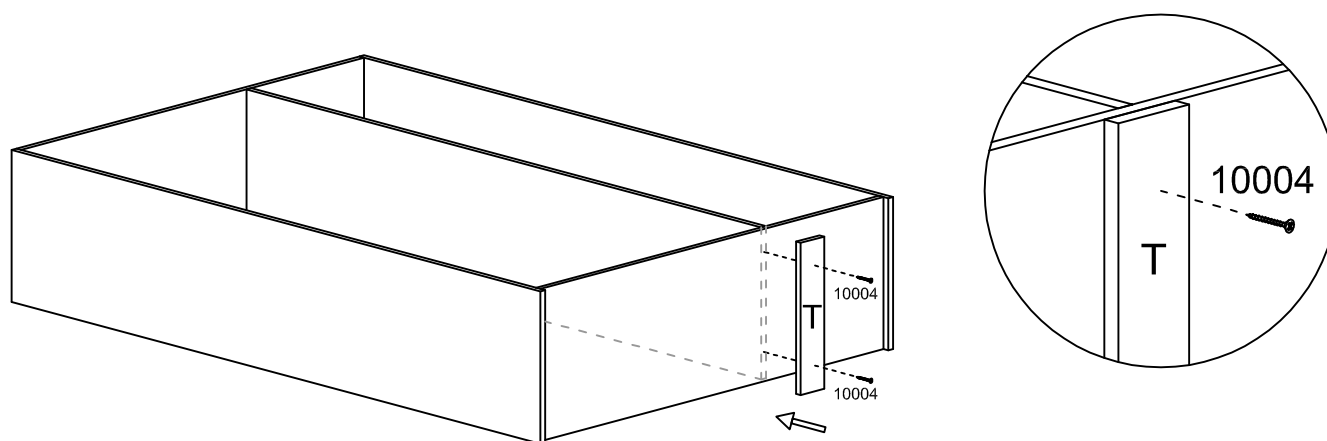
4.2



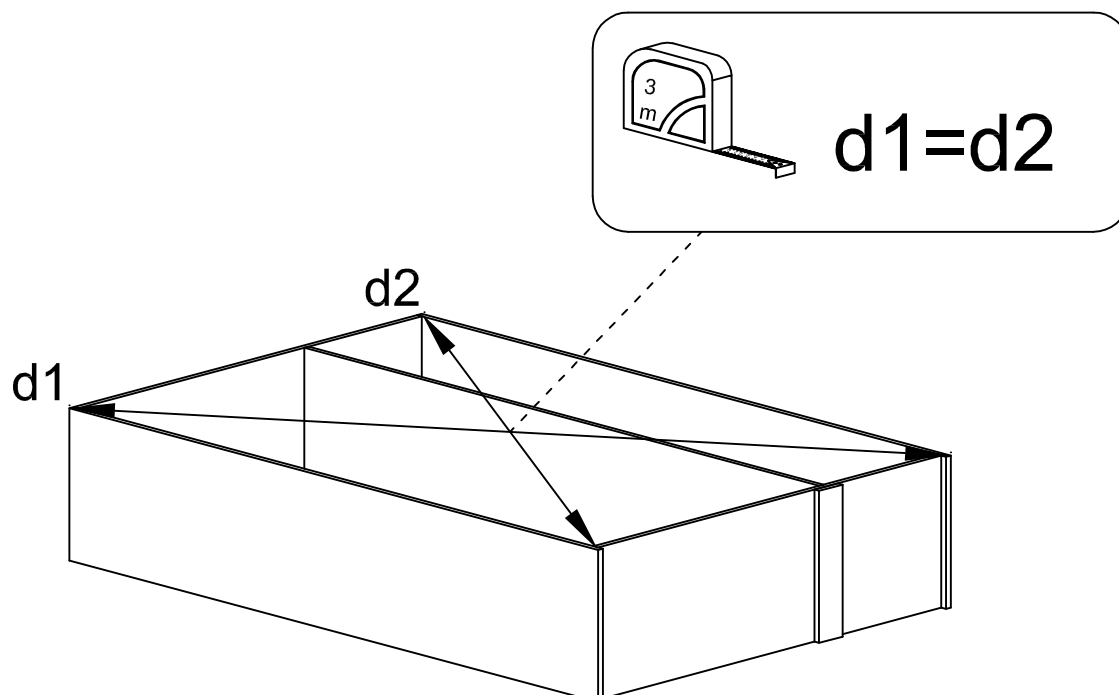
4.3



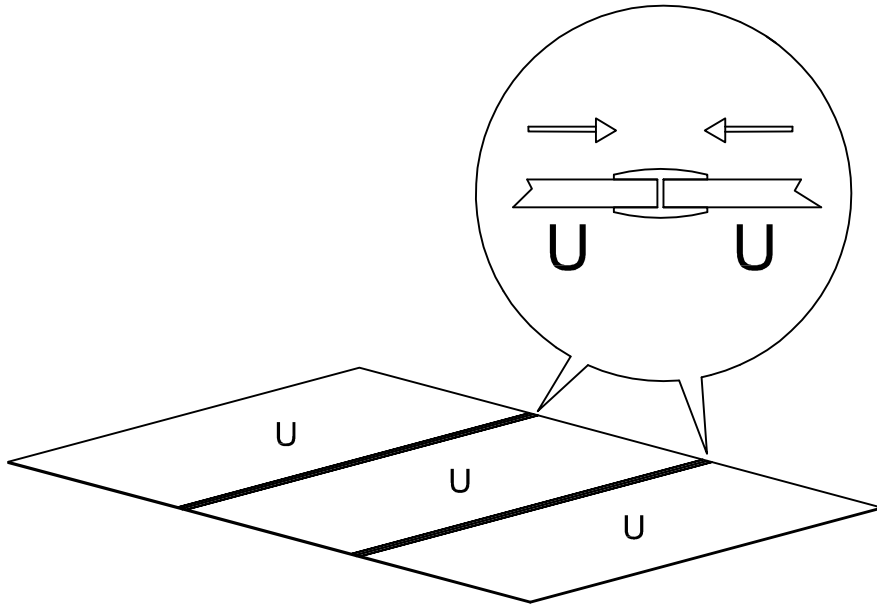
4.4



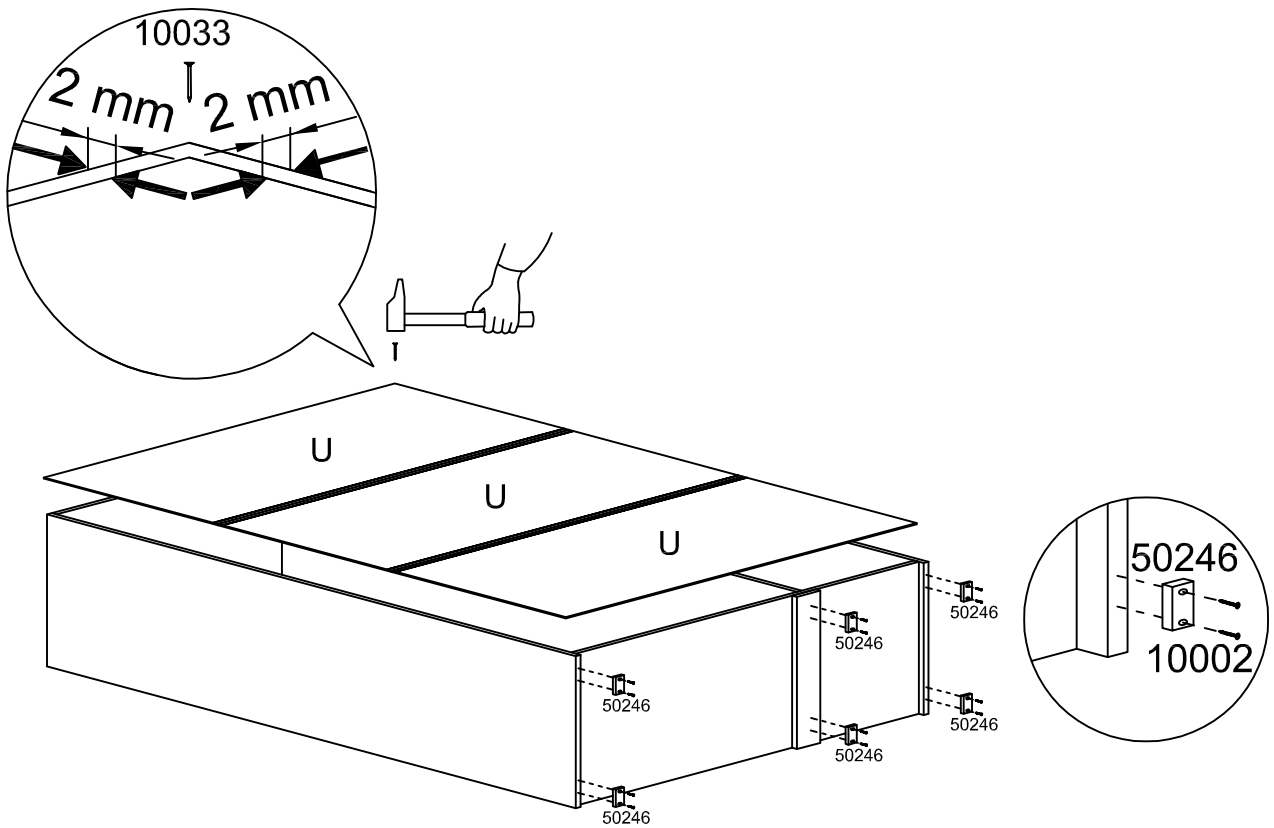
4.5



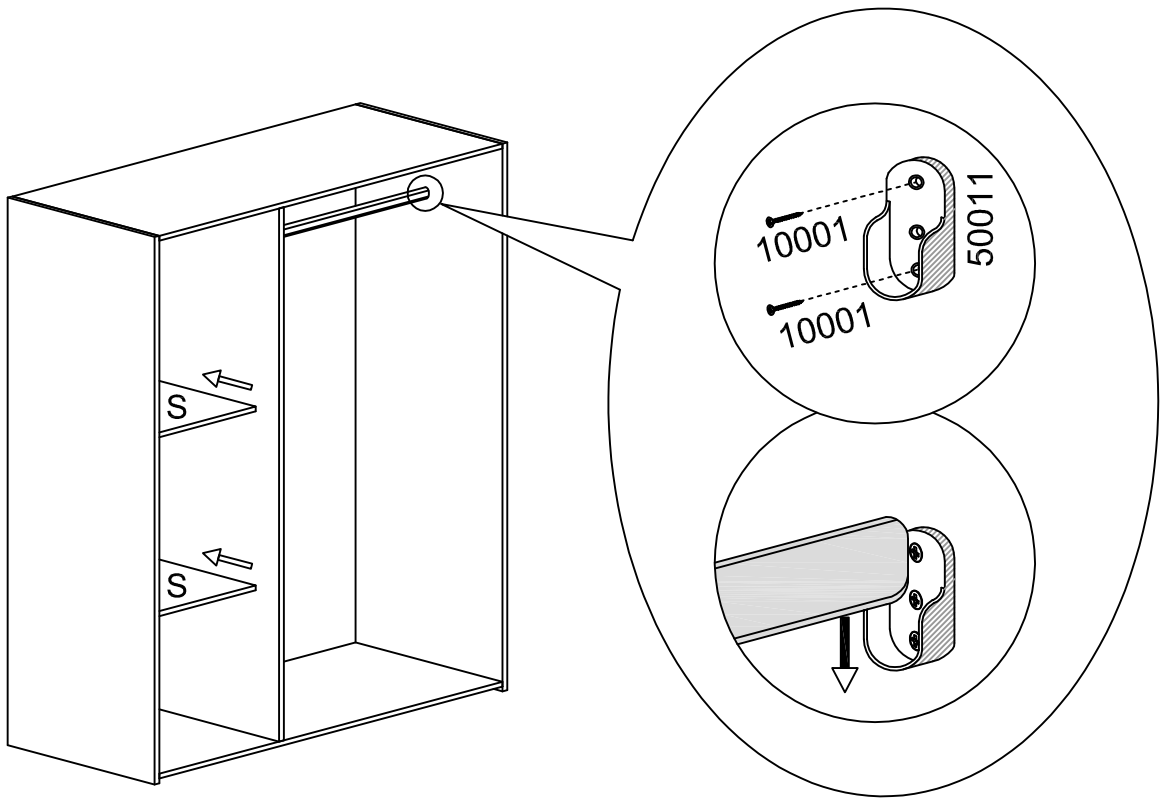
4.6



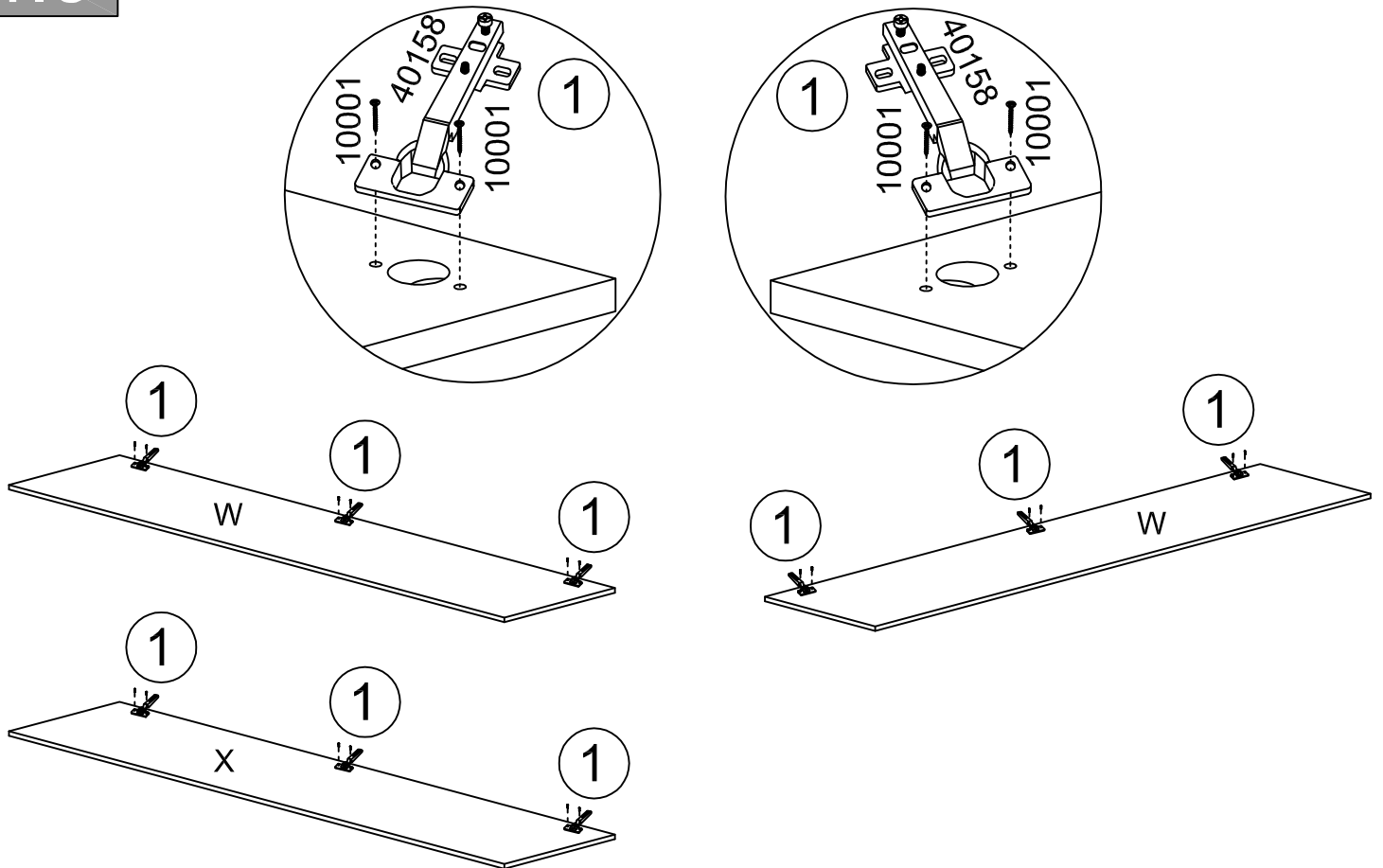
4.7



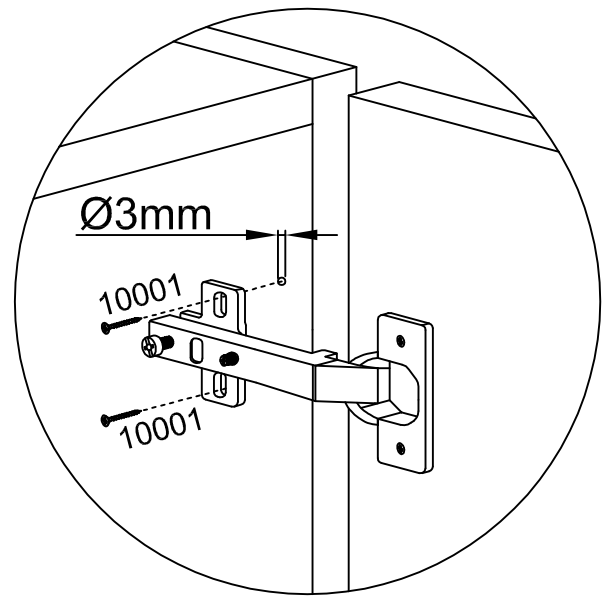
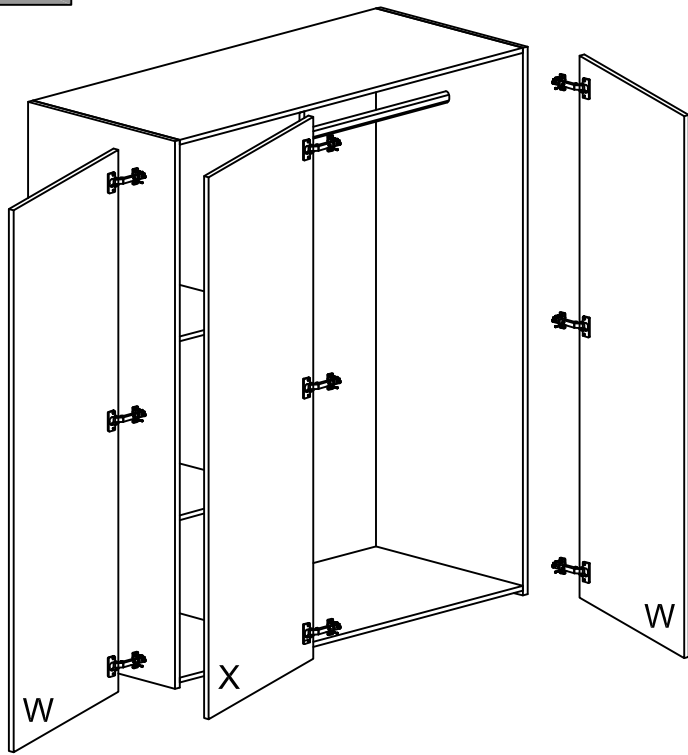
4.8



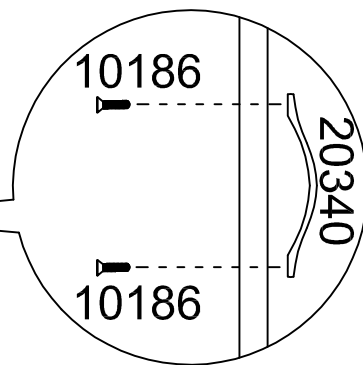
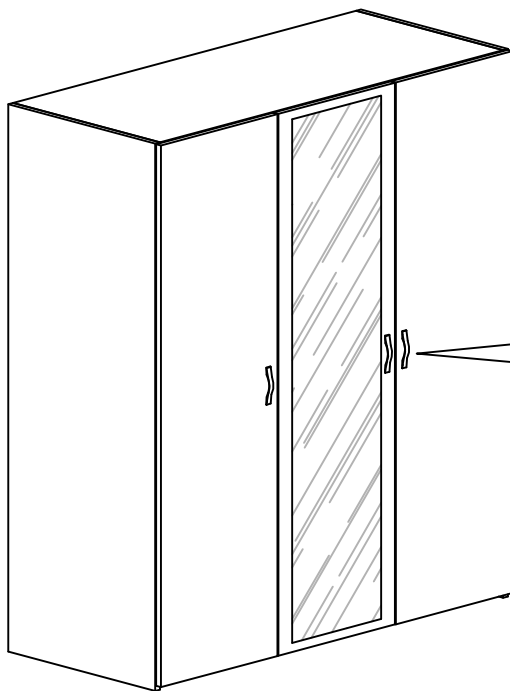
4.9



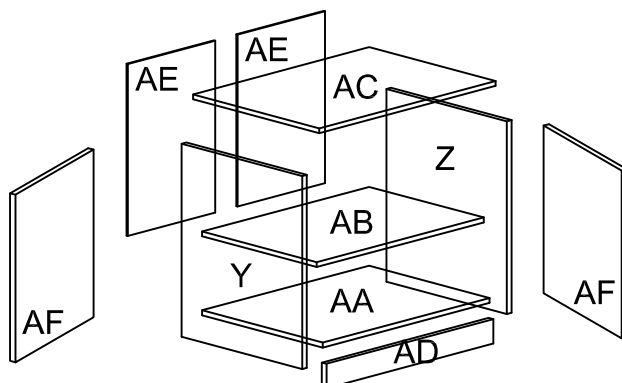
4.10



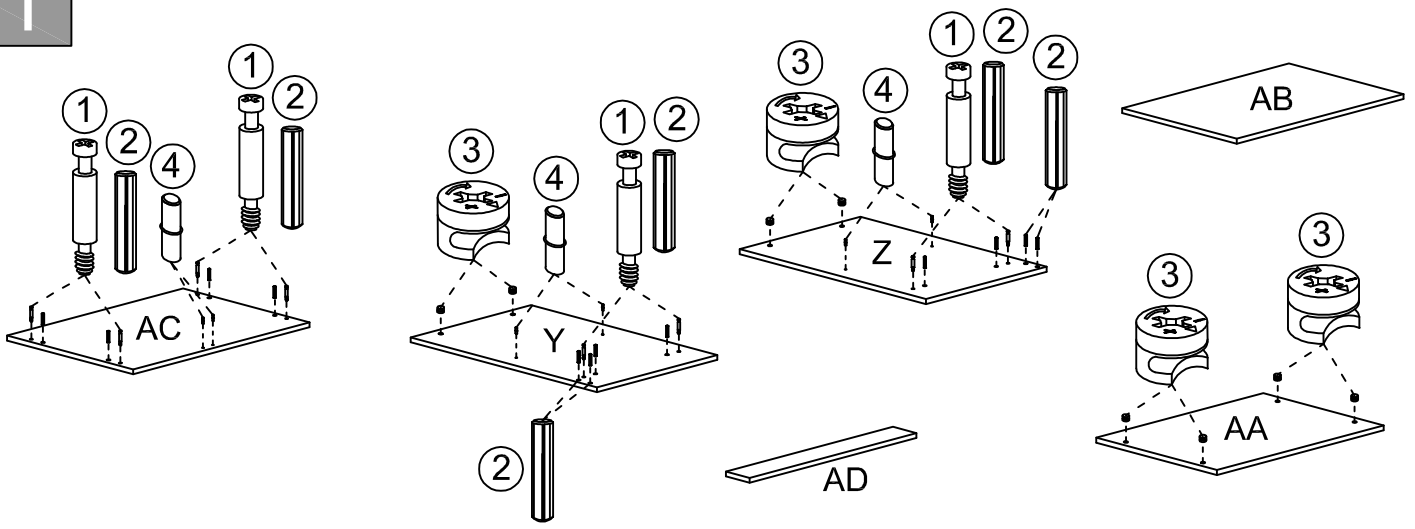
4.11



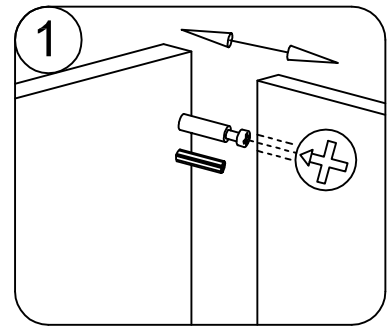
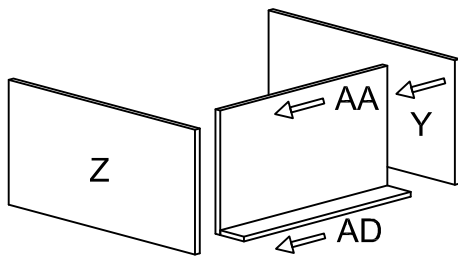
5



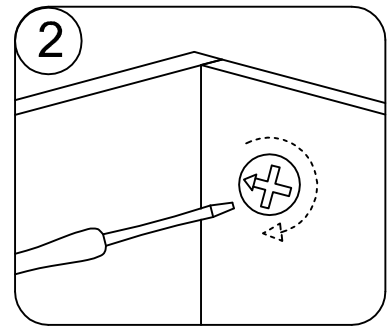
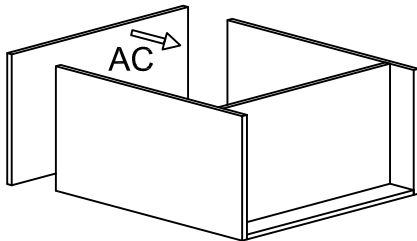
5.1



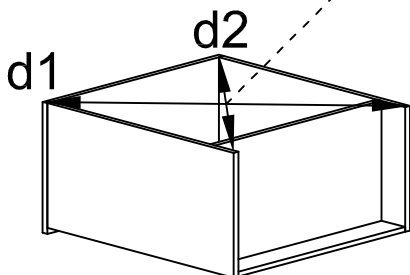
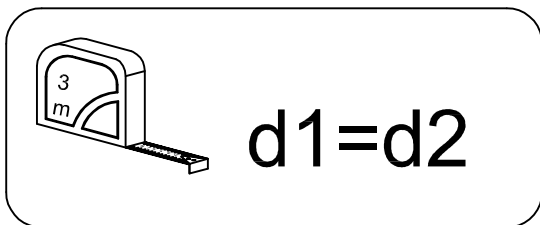
5.2



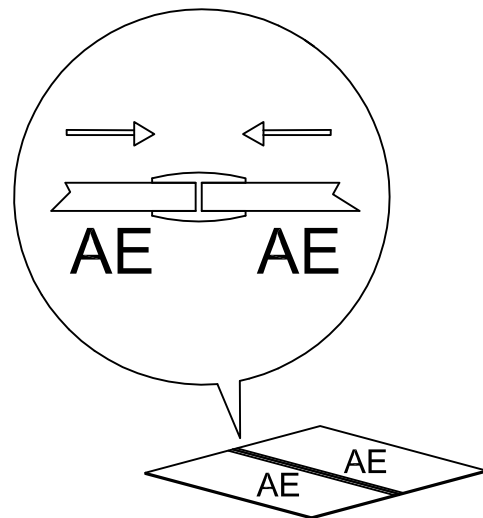
5.3



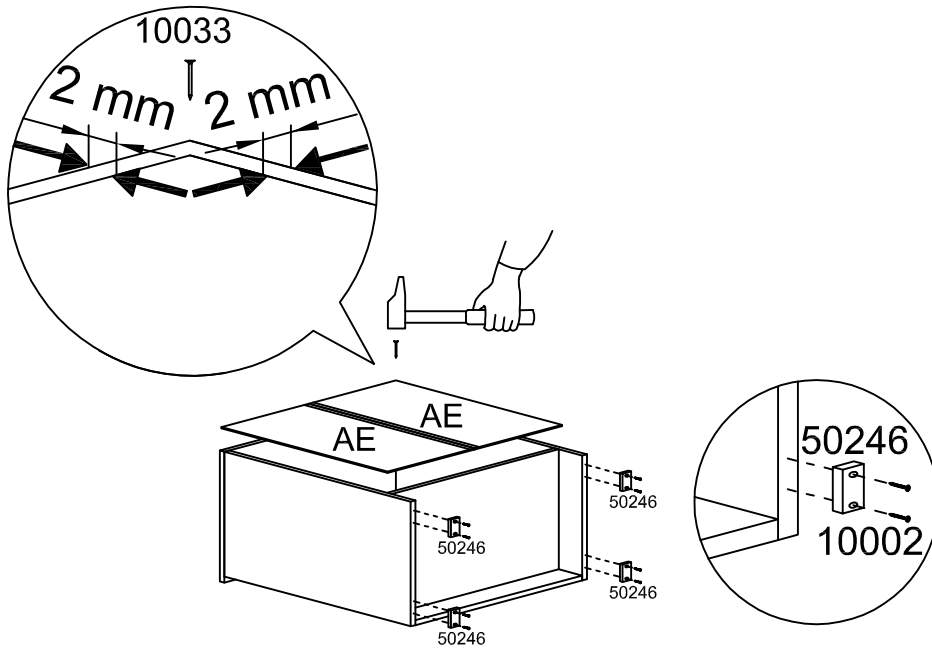
5.4



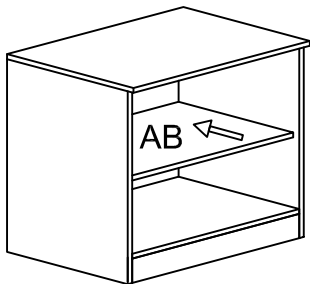
5.5



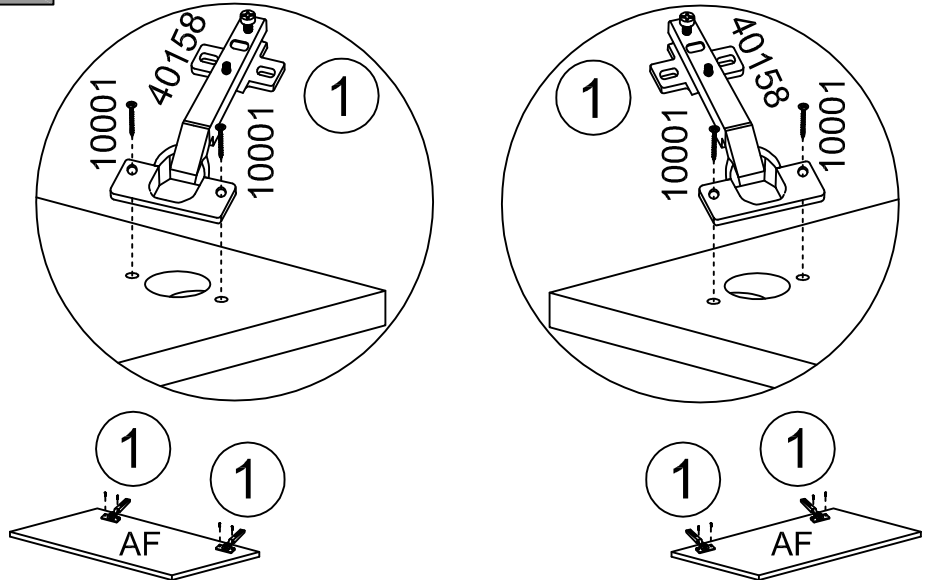
5.6



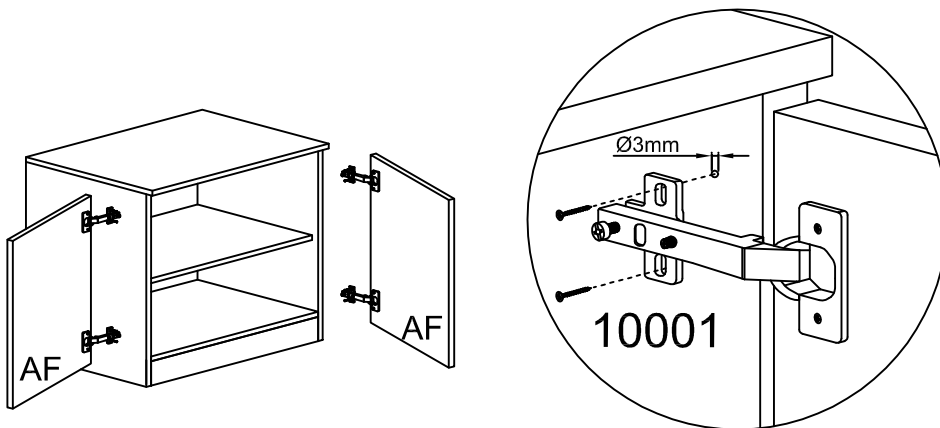
5.7



5.8



5.9



5.10

