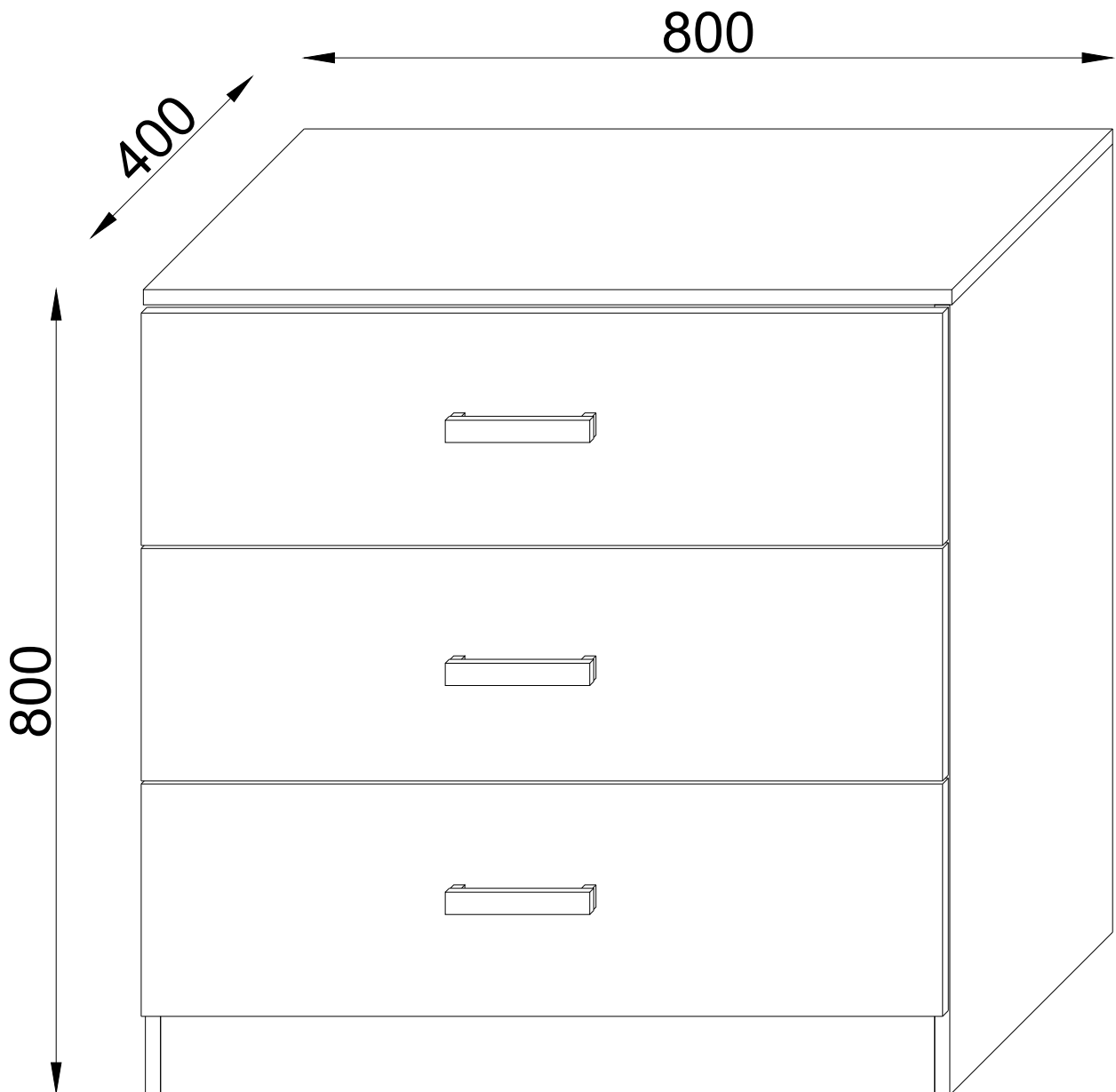
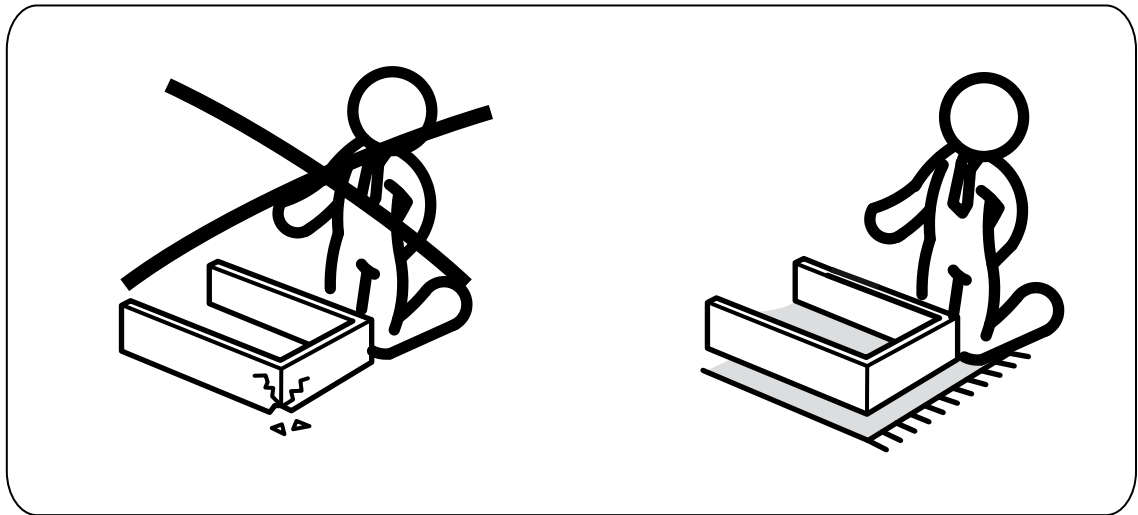
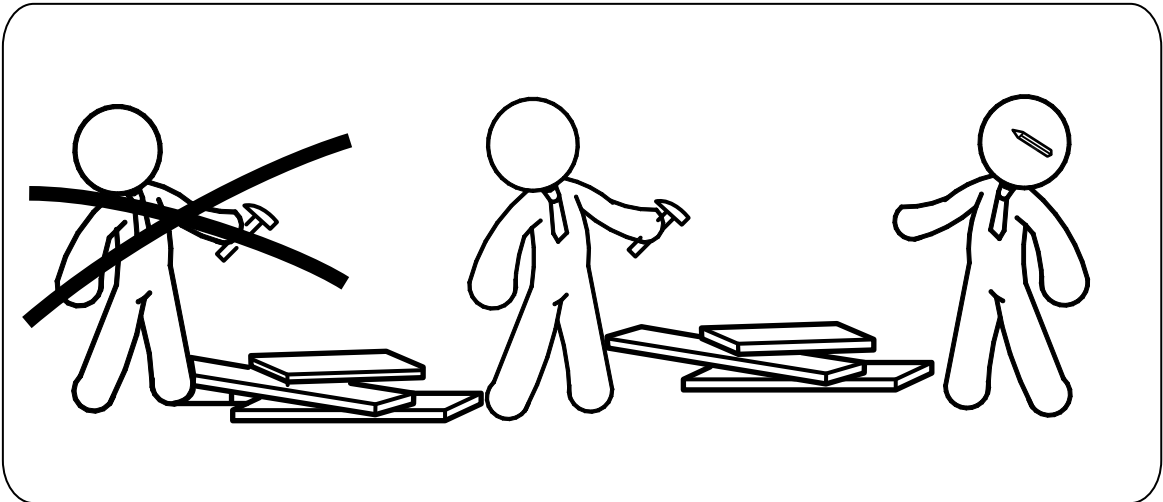
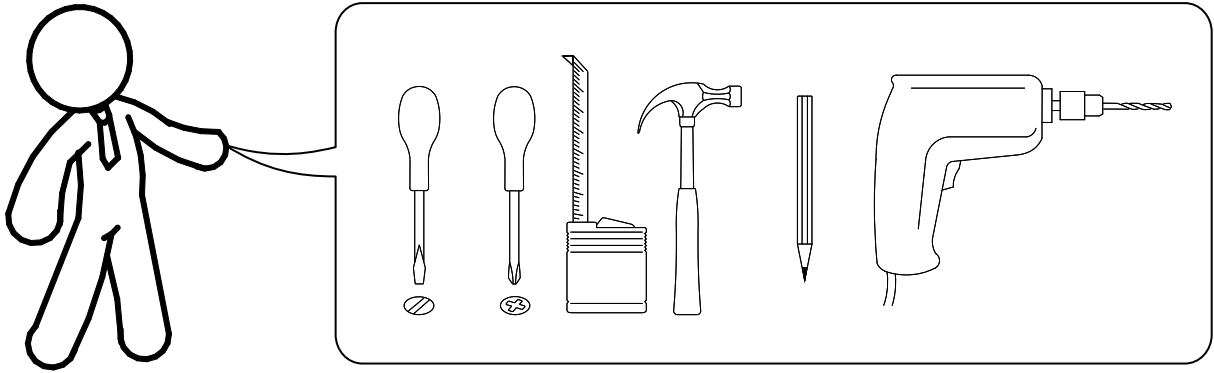


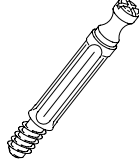

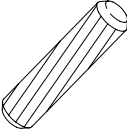
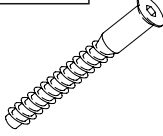
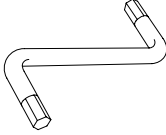
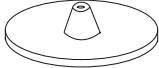
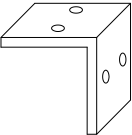
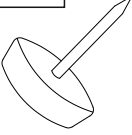


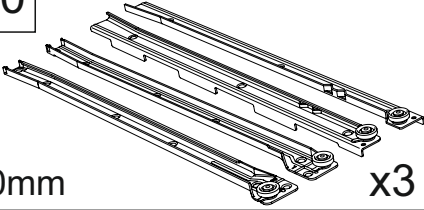
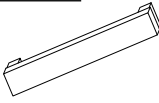
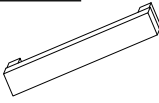

Boston Chest



ASSEMBLY INSTRUCTIONS

WARNING! THIS PRODUCT SHOULD BE ASSEMBLED BY ADULTS ONLY



1.16  x17	1.17  x17	1.14  x21	1.7  x12	1.6  x1
1.30  x10	1.62  x3	1.9  x5	1.3  0.02kg	1.5  3,5x16mm x44
1.10  350mm x3	1.1  x3	5.1  x3	1.42  x6	

№1 820/ 420/ 76	30	766	80	1
	31	766	100	1
	32	780*	380	1
	33	780*	380	1
	34	350*	100	3
	35	350*	100	3
	Fittings			1
№2 840/ 440/ 90	28	800*	400**	1
	29	766*	380	1
	36	711*	100	3
	37	230**	793**	2
	38	230**	793**	1
	39	710	395/3	2
	40	738	355/3	3

