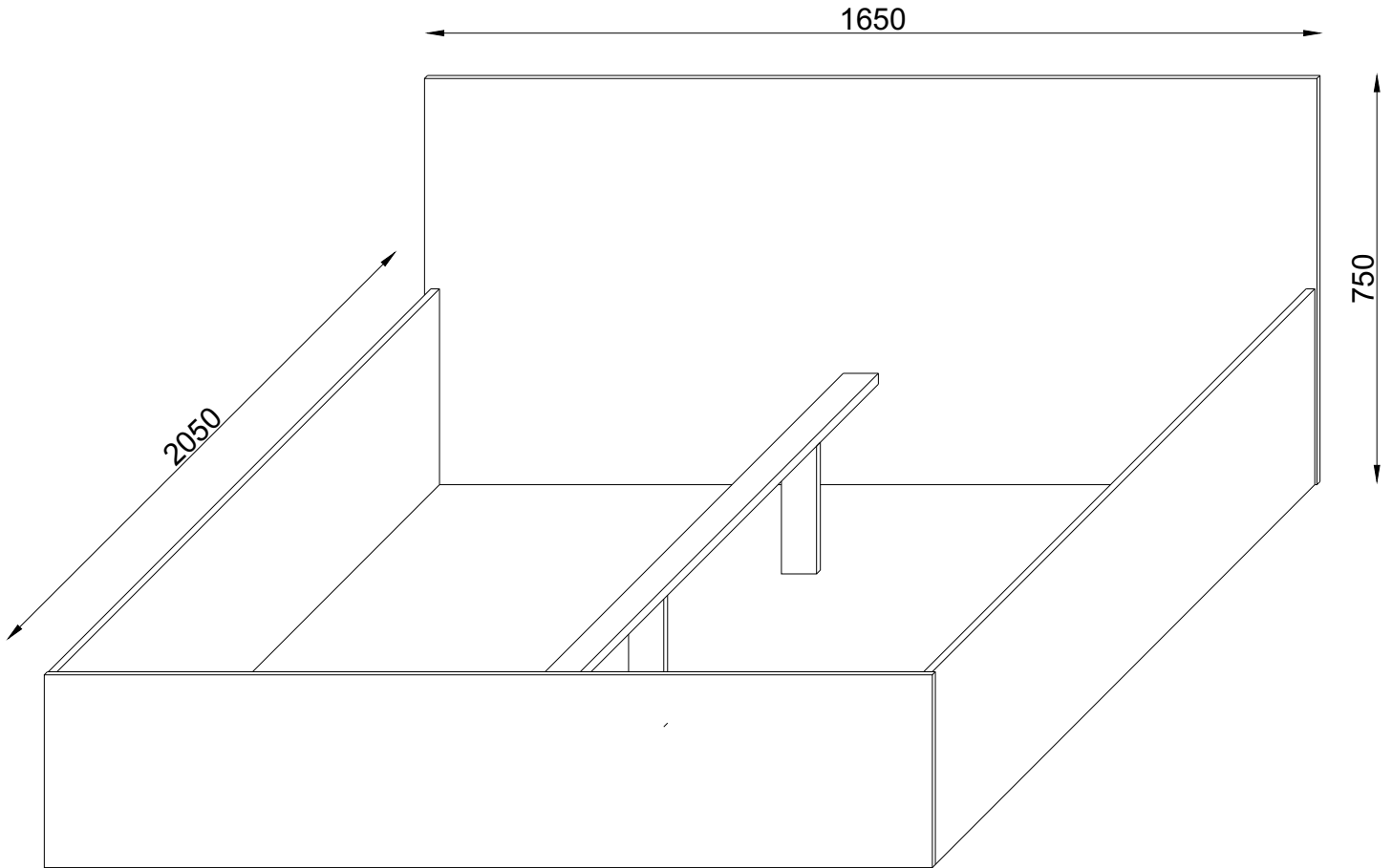


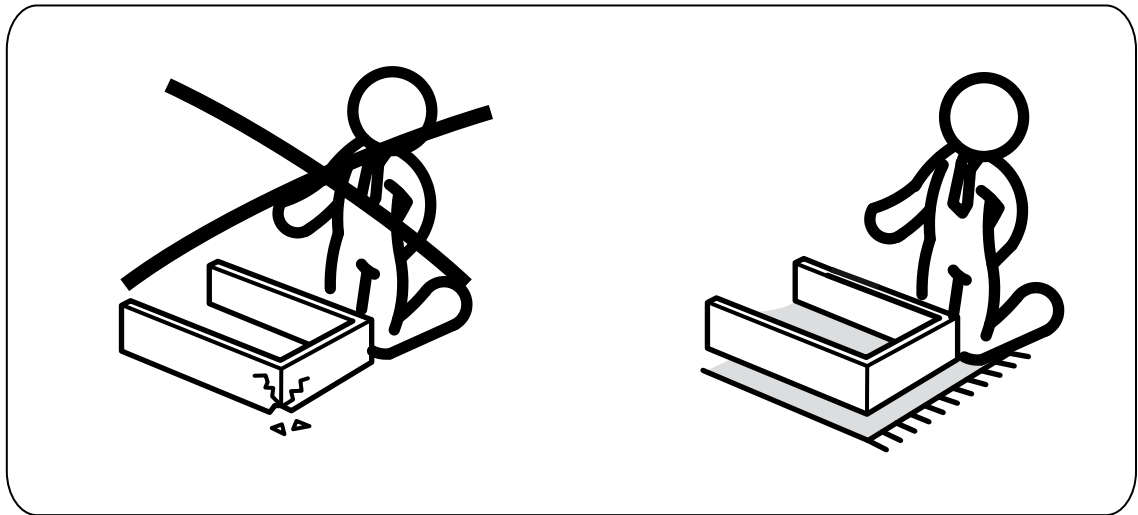
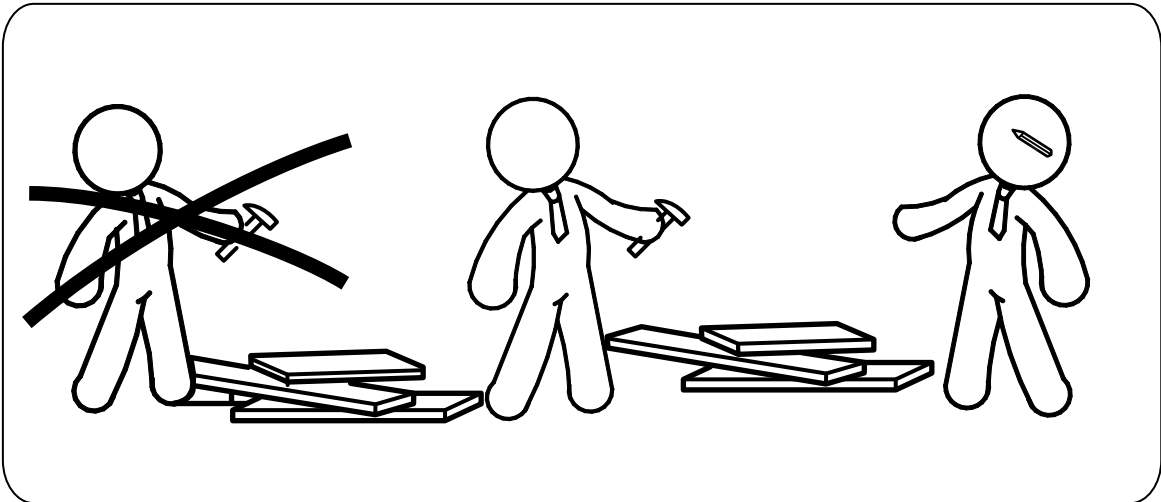
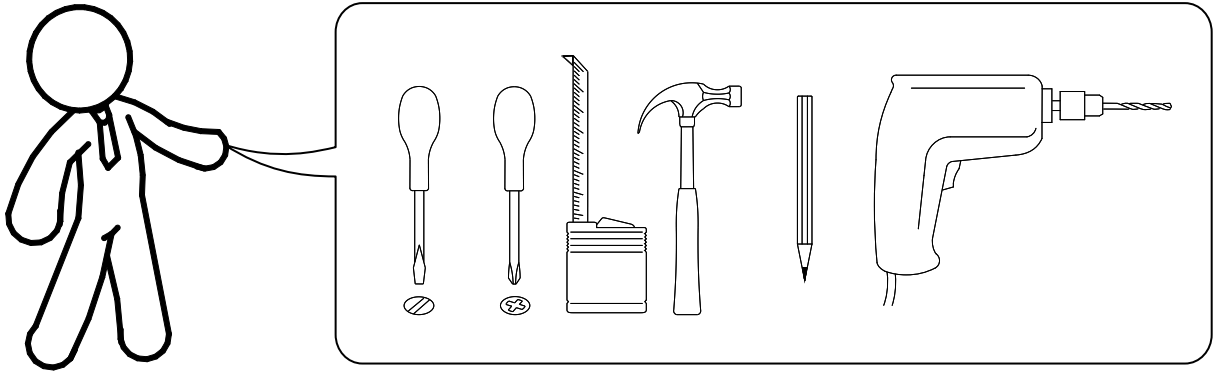
Boston

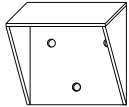
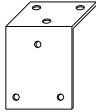
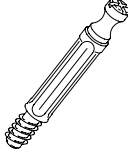
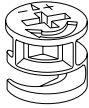
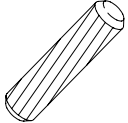

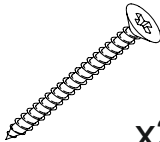
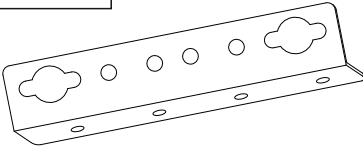
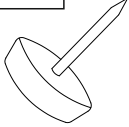
Bed 160/200



ASSEMBLY INSTRUCTIONS

WARNING! THIS PRODUCT SHOULD BE ASSEMBLED BY ADULTS ONLY



1.63  x6	1.64  x2	1.16  x8	1.17  x8	1.14  x8
1.71 4x16mm  x74	1.33 4x50mm  x2	1.99  x4	1.9  x14	

№1 2054/ 396/ 72	13	2014*	356	1
	14	2014*	356	1
	15	2000	65	1
	16	236	65	2
	Fittings			1
№2 1690/ 790/ 30	11	1650*	750**	1
	12	1642*	356**	1
	-----	-----	-----	-----
	-----	-----	-----	-----

