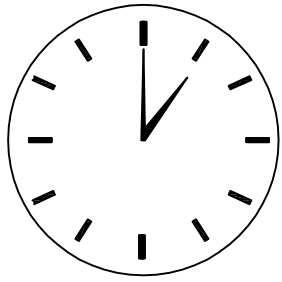
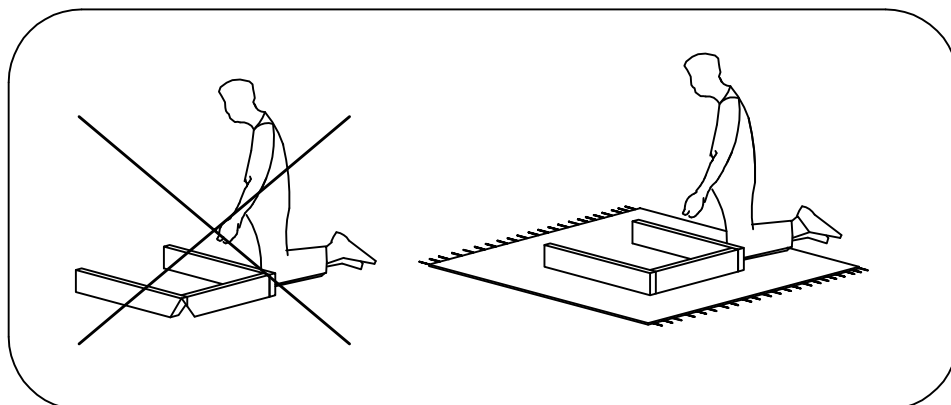
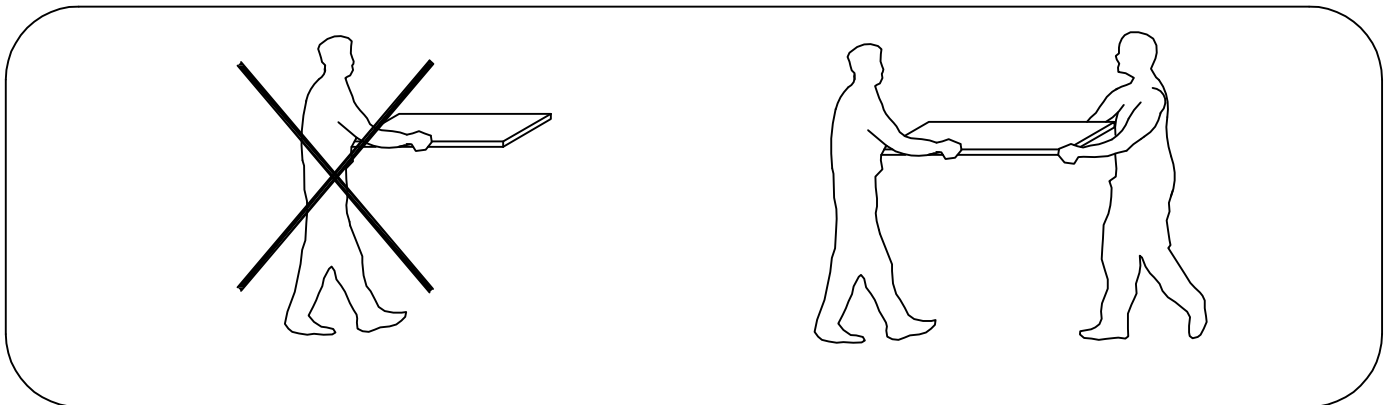
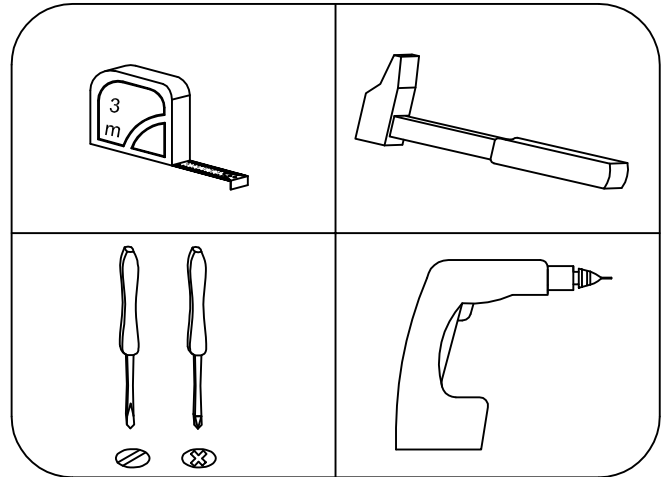
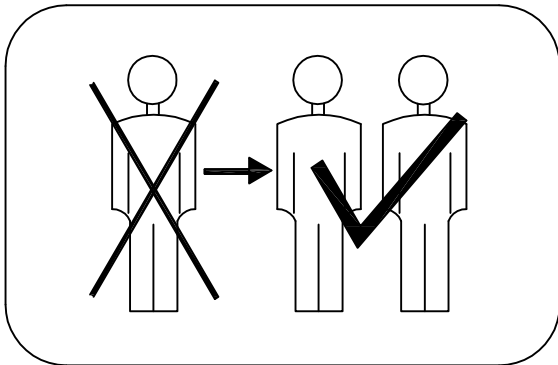
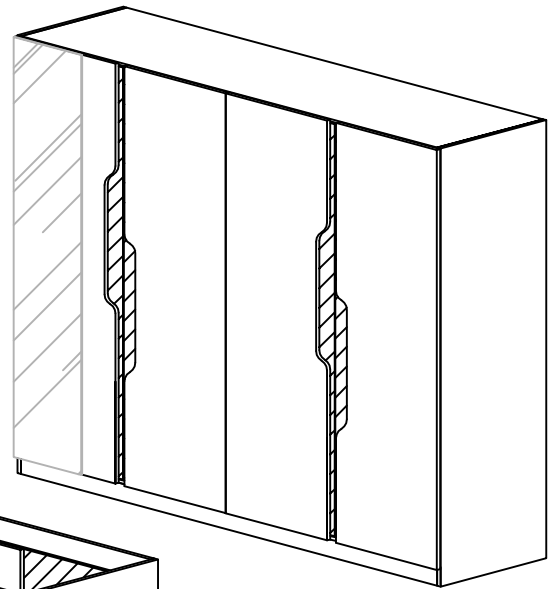
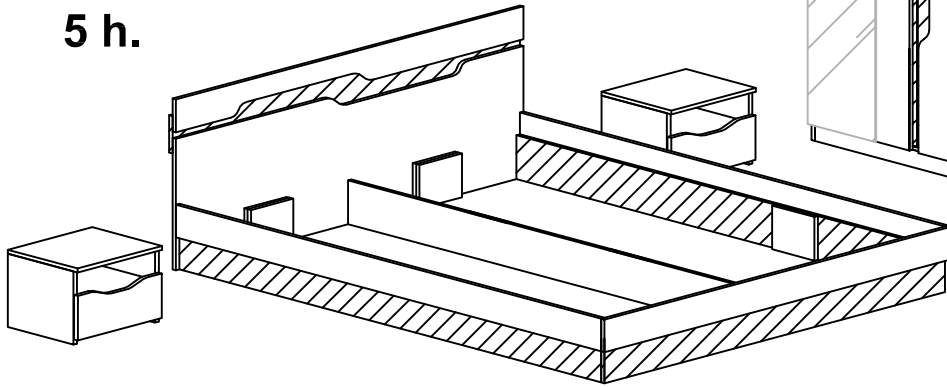


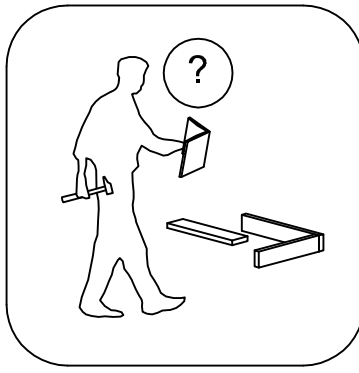
# City 7013

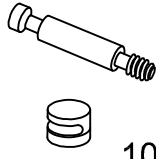
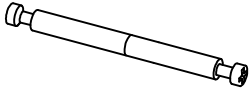

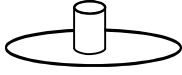
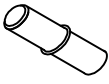


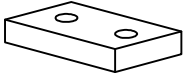
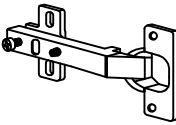
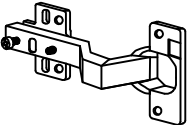
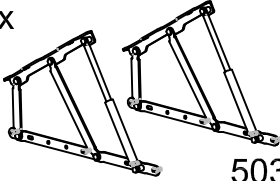



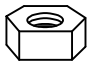

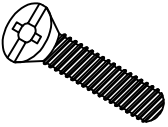

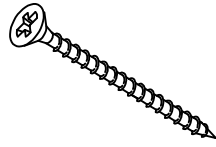

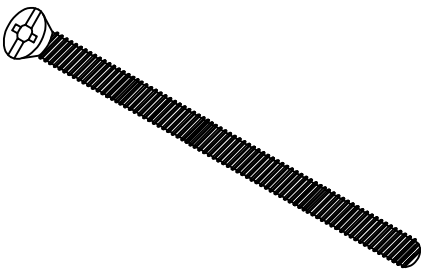
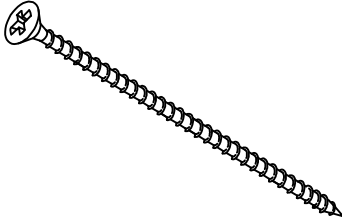

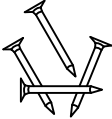


5 h.



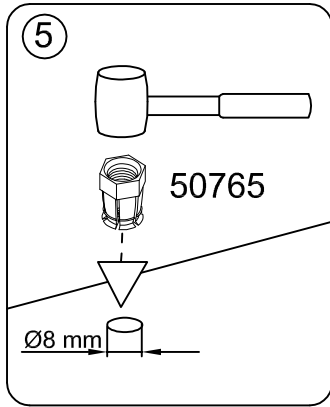
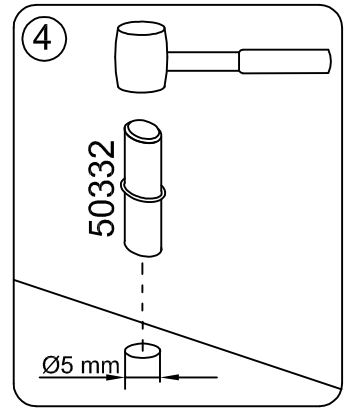
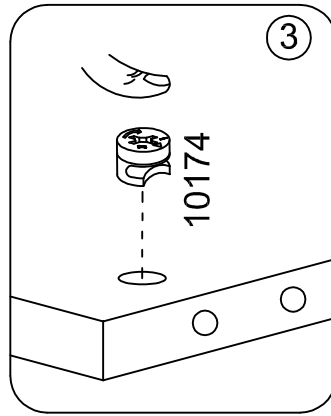
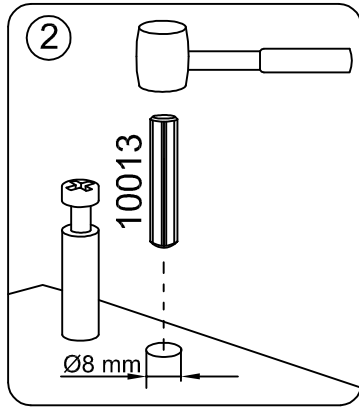
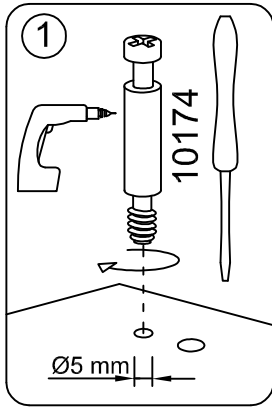
<http://www.irimbg.com/instructions/>



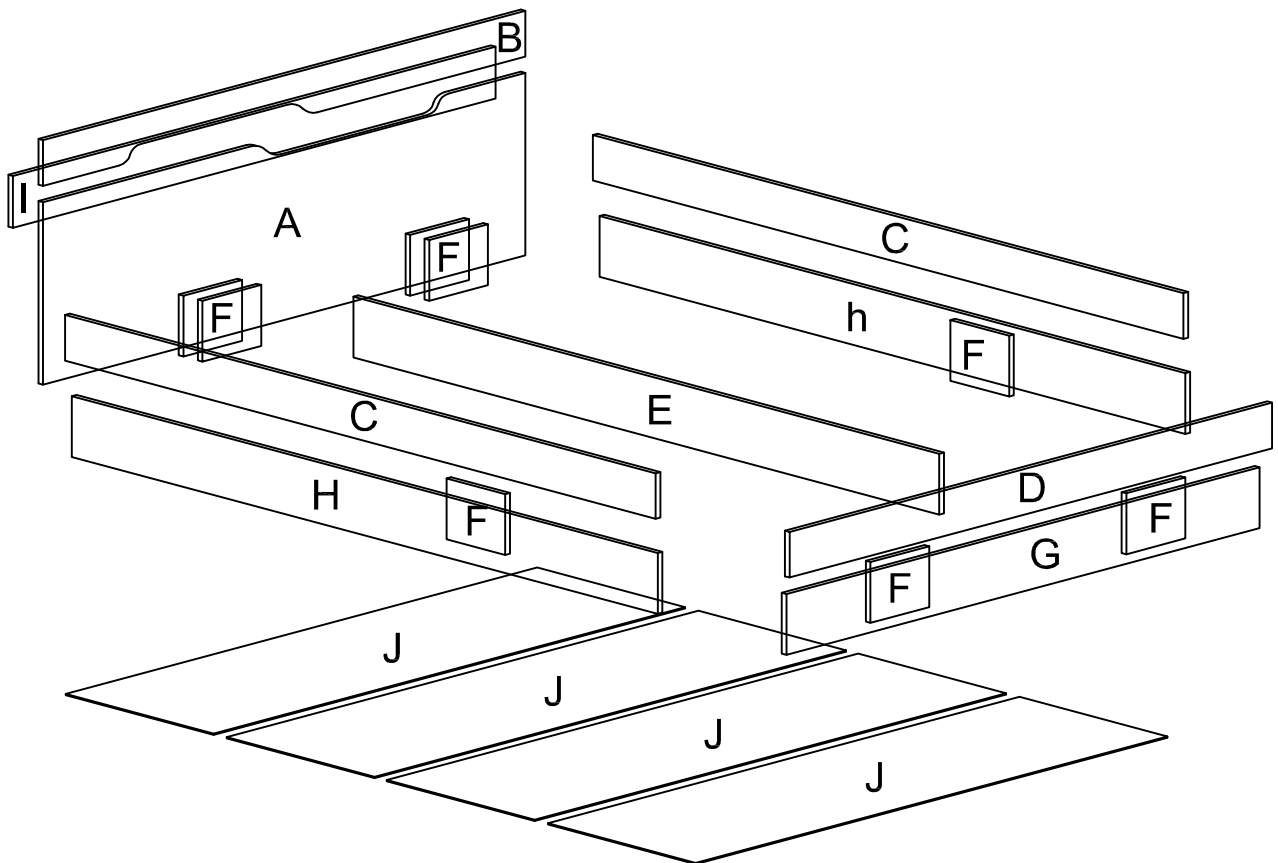
<p>64x</p>  <p>10174</p>	<p>2x</p>  <p>10072</p>	<p>88x</p>  <p><math>\Phi</math> 8/30</p> <p>10013</p>	<p>68x</p>  <p>50317</p>
<p>8x</p>  <p>50332</p>	<p>4x</p>  <p>50011</p>	<p>2x</p>  <p>L=300mm</p> <p>50953</p>	<p>23x</p>  <p>50246</p>
<p>6x</p>  <p>40158</p>	<p>6x</p>  <p>40159</p>	<p>1x</p>  <p>50350</p>	<p>28x</p>  <p>50765</p>
<p>4x</p>  <p>20257</p>	<p>2x</p>  <p>LED</p> <p>80747</p>	<p>4x</p>  <p>M 6</p> <p>10030</p>	<p>8x</p>  <p>M 6,5</p> <p>10032</p>
<p>20x</p>  <p>M 6/25</p> <p>10195</p>	<p>8x</p>  <p>M 6x12</p> <p>10132</p>	<p>70x</p>  <p><math>\Phi</math> 3,5/30</p> <p>10004</p>	<p>55x</p>  <p><math>\Phi</math> 3,5/20</p> <p>10002</p>
<p>4x</p>  <p>M 6x60</p> <p>10051</p>	<p>4x</p>  <p>M 6x50</p> <p>10065</p>	<p>77x</p>  <p><math>\Phi</math> 3,5/16</p> <p>10001</p>	 <p>10033</p>

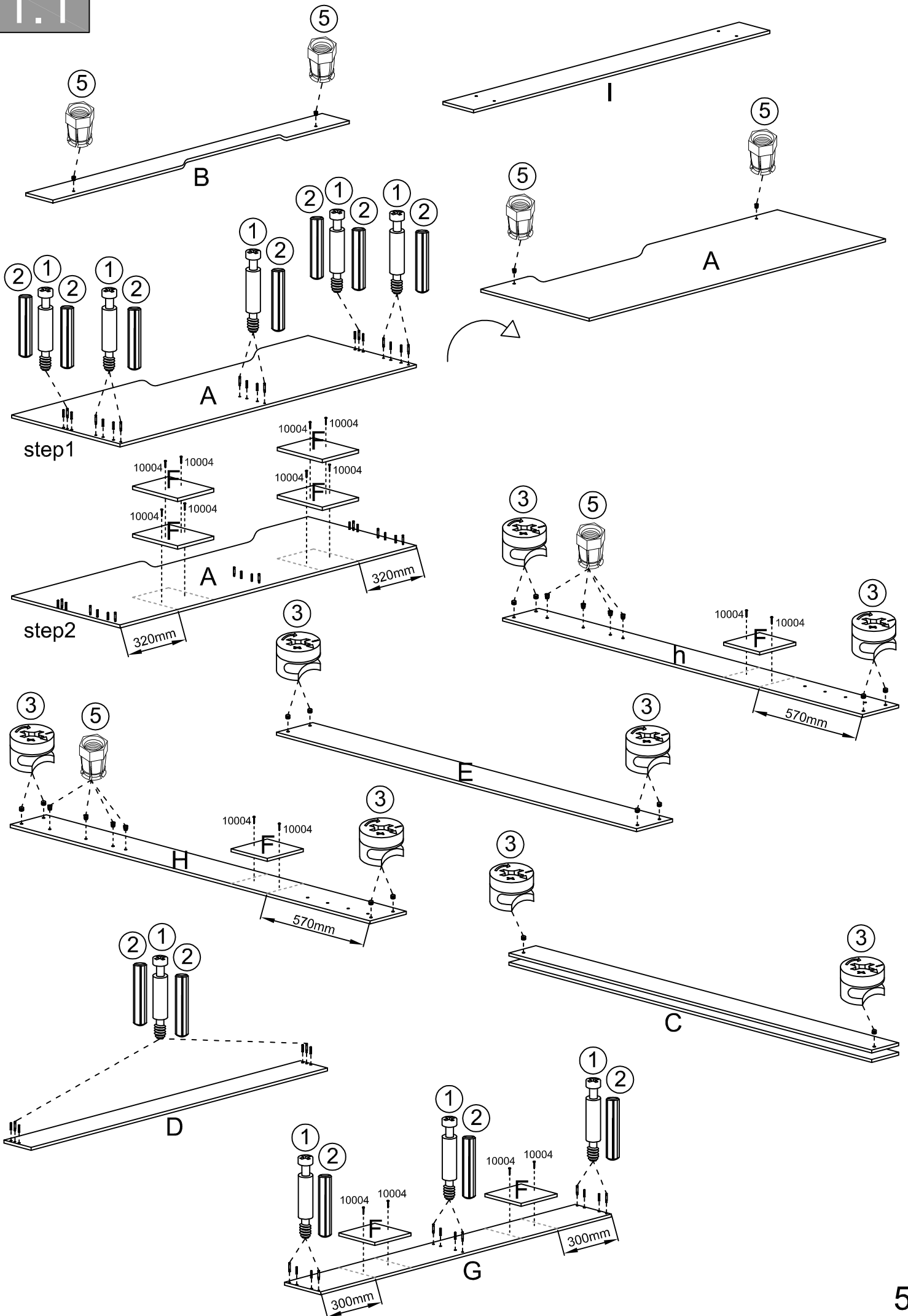
	↑ ↓ ↔	Box number
A	1642x650	2/9
B	1642x150	2/9
C	2x 2010x180	1/9
D	1642x180	2/9
E	1994x250	1/9
F	8x 200x250	1/9
G	1610x250	2/9
H/h	2x 1994x250	1/9
I	1642x170	1/9
J	4x 1605x503	2/9
K	2x 334x310	3/9
L	2x 334x310	3/9
M	4x 368x310	3/9
N	2x 400x330	3/9
O	2x 325x395	3/9
P	4x 300x100	3/9
Q	4x 311x100	3/9

	↑ ↓ ↔	Box number
R	2x 340x295	3/9
S	2x 203x397	3/9
T	2000x500	4/9
U	2000x500	4/9
V	1888x500	5/9
X	1768x500	6/9
Y	1768x500	6/9
Z	2x 876x420	7/9
AA	2x 876x420	7/9
AB	460x80	5/9
AC	1768x80	5/9
AD	4x 1882x90	5/9
AE	1917x427	9/9
AF	1917x427	8/9
AG	1917x427	8/9
AH	1917x427	9/9
AI	4x 1915x448	5/9

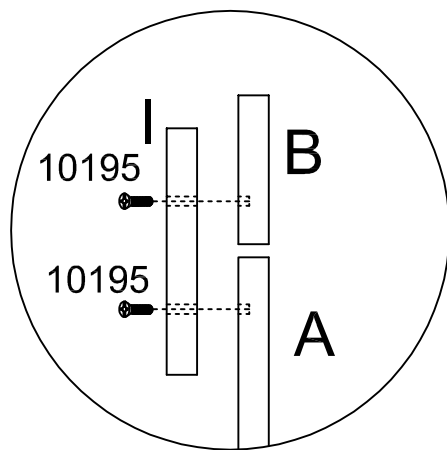
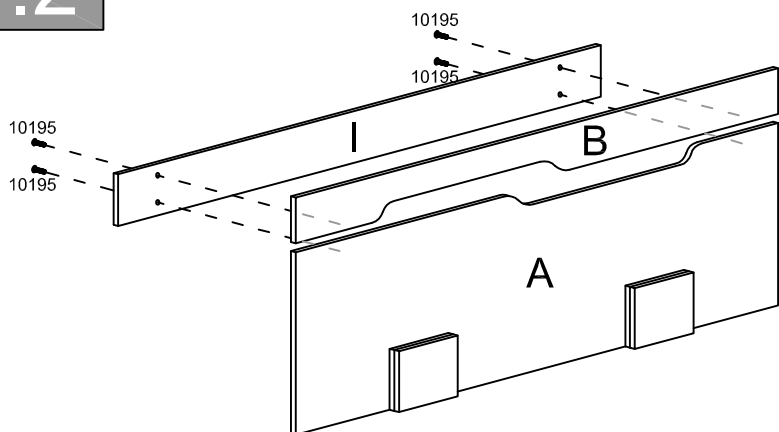


1

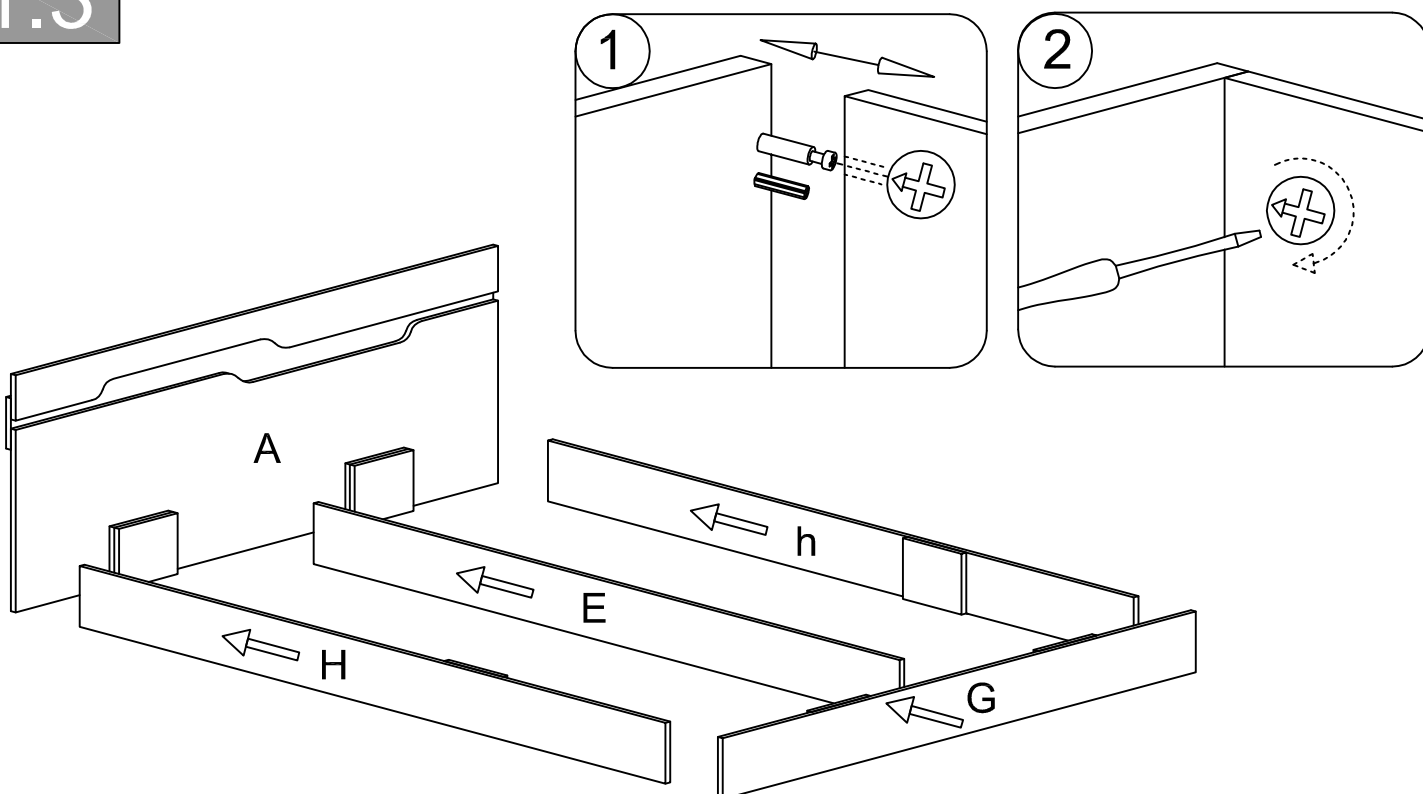




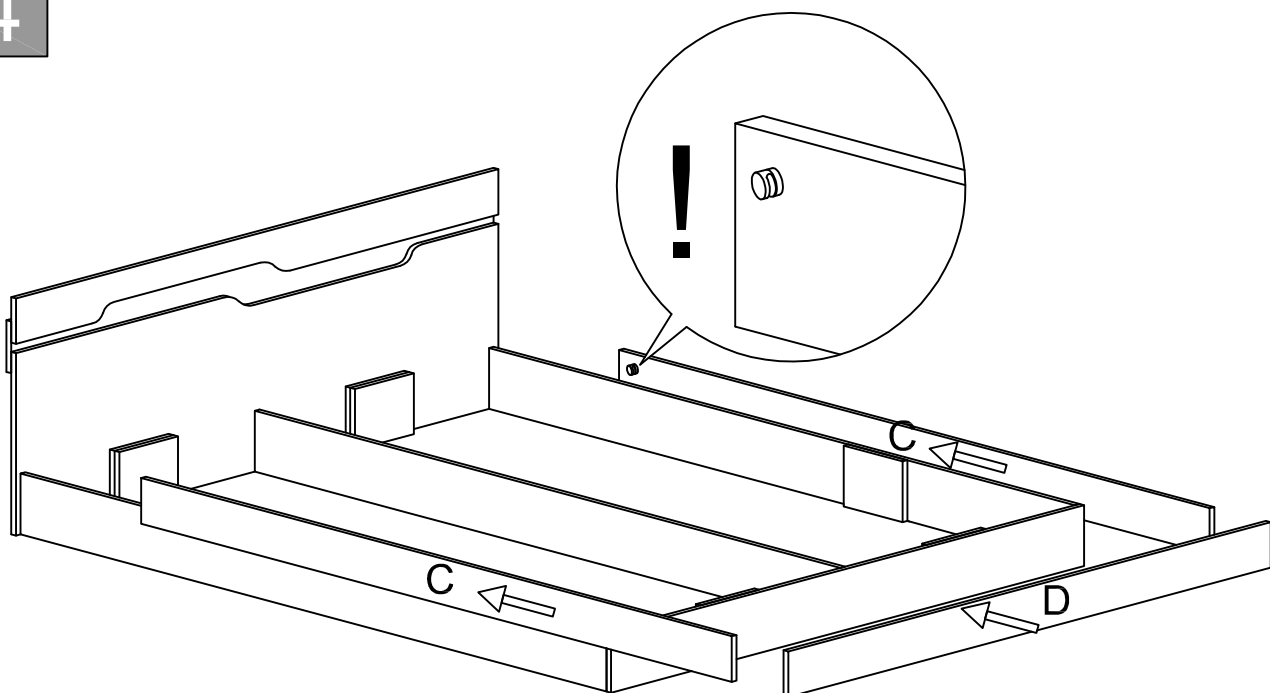
# 1.2



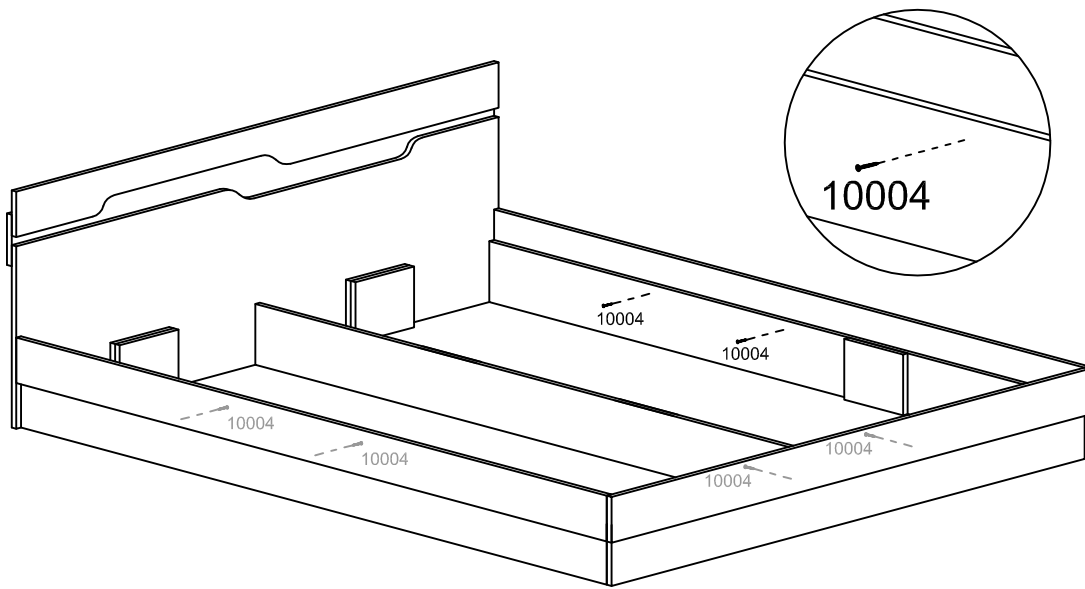
# 1.3



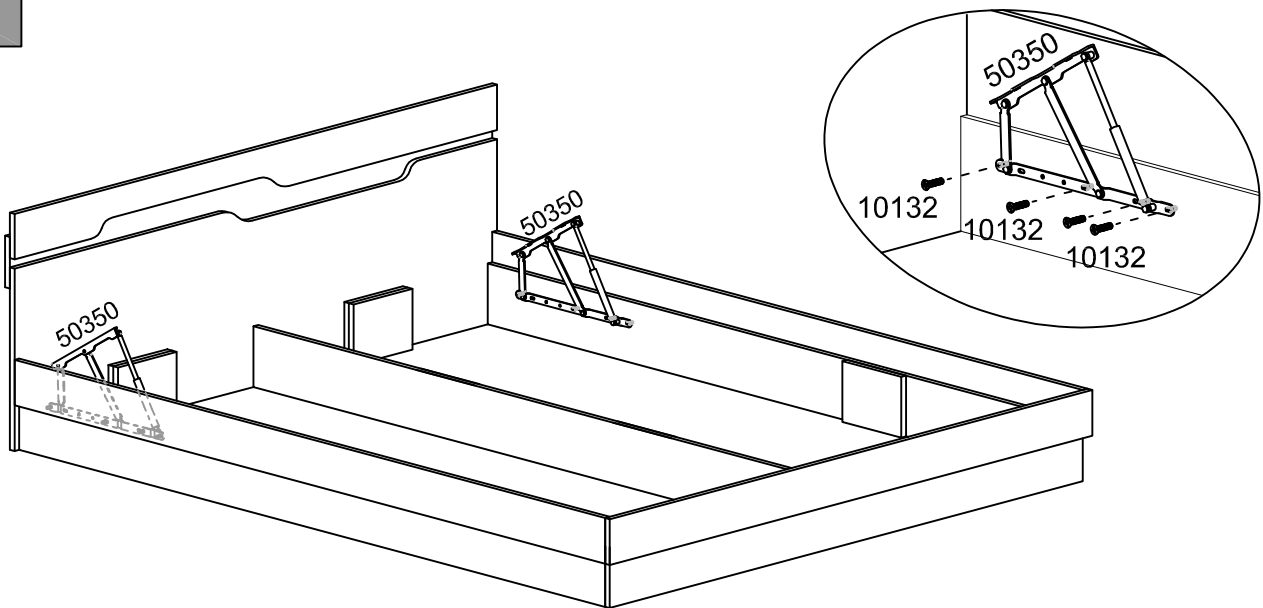
# 1.4



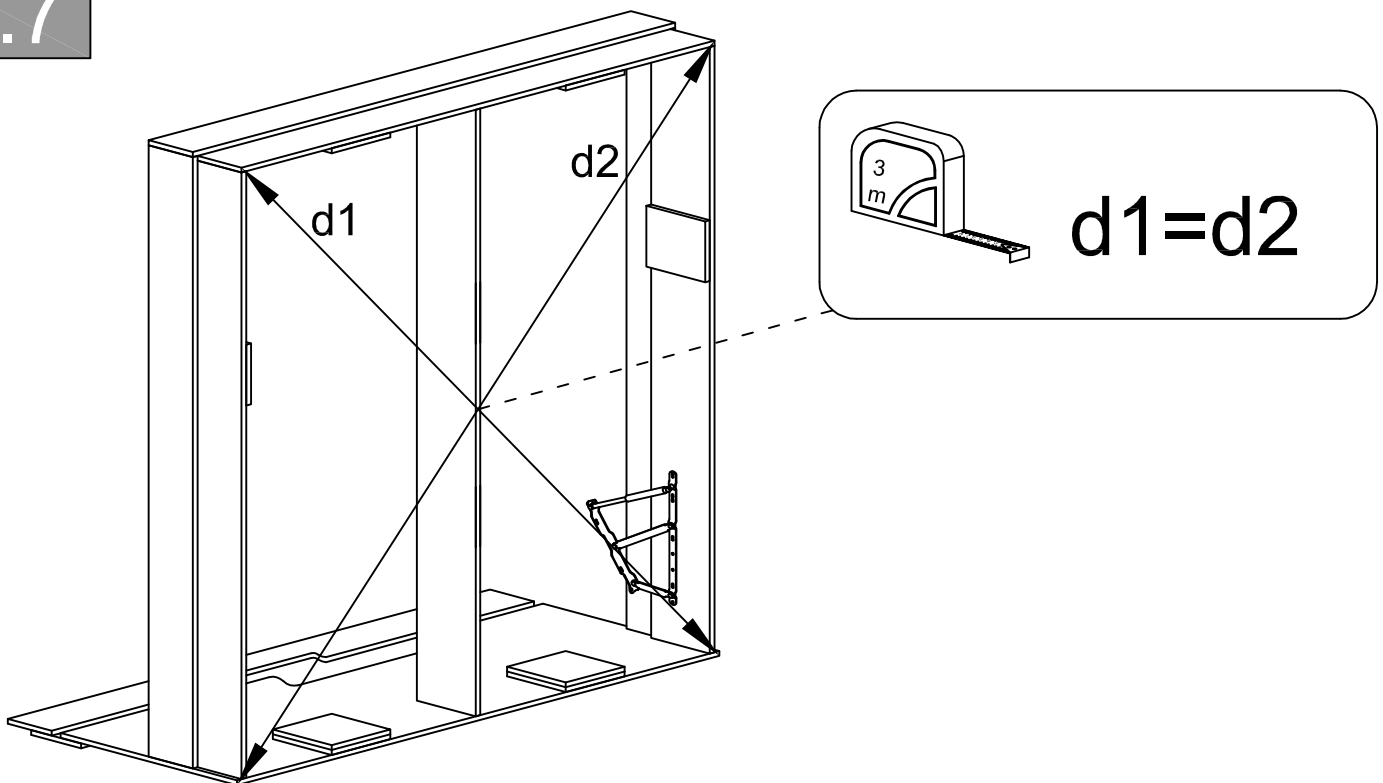
1.5



1.6



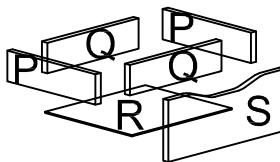
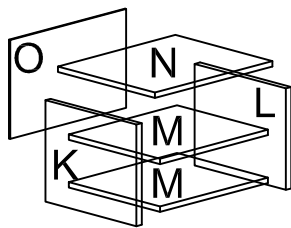
1.7





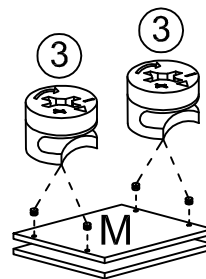
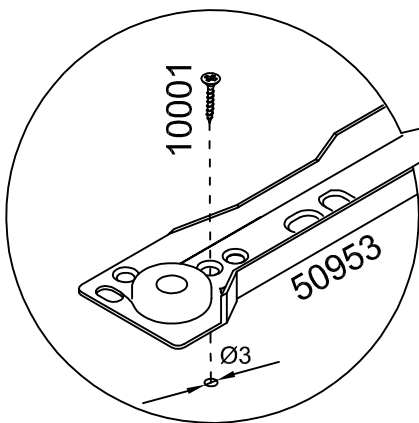
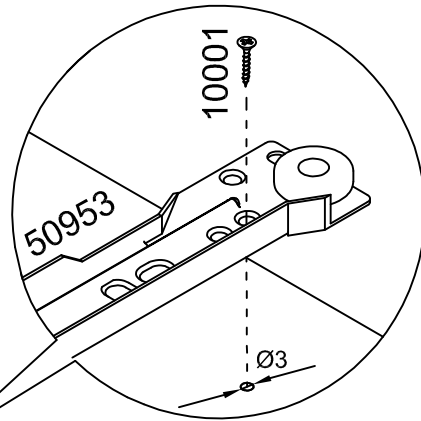
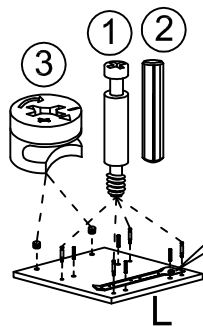
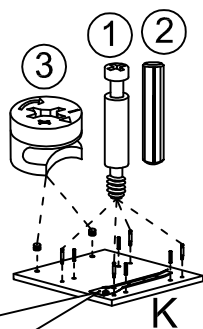
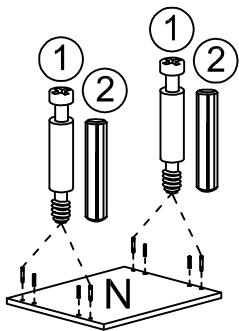
2

3



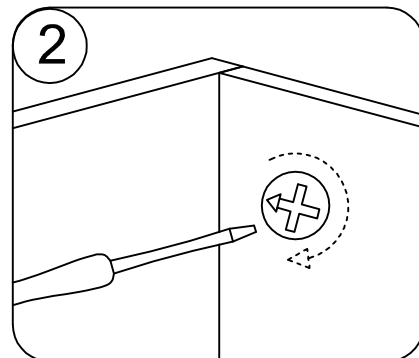
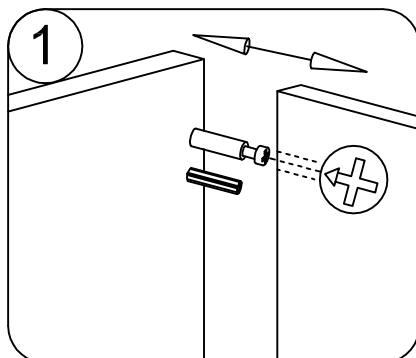
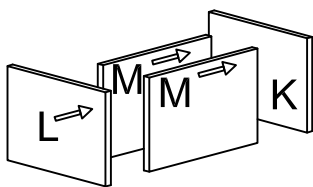
2.1

3.1



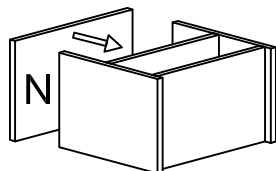
2.2

3.2



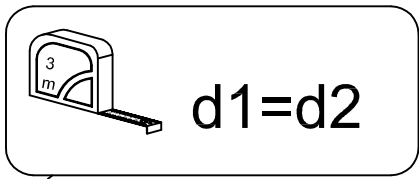
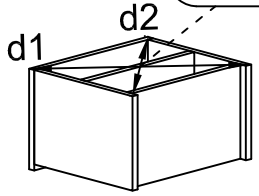
2.3

3.3



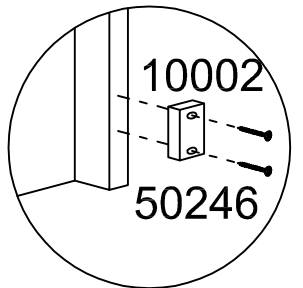
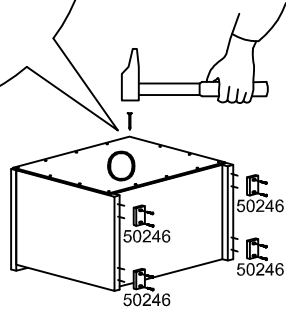
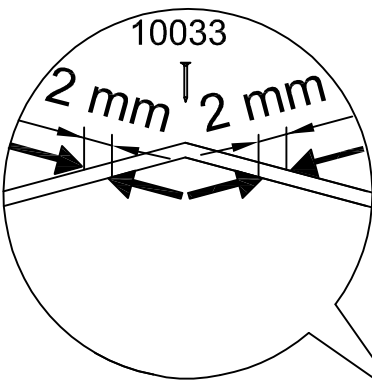
2.4

3.4



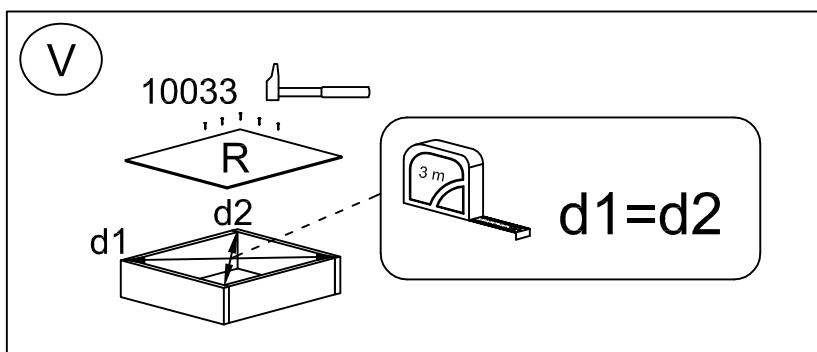
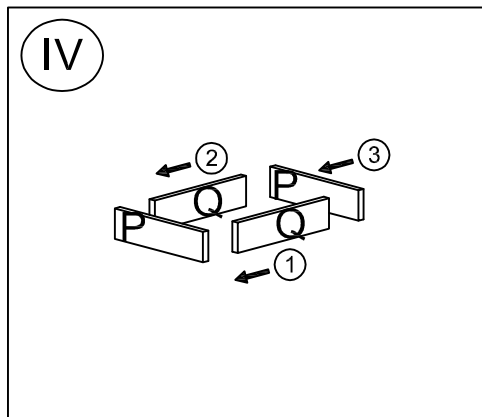
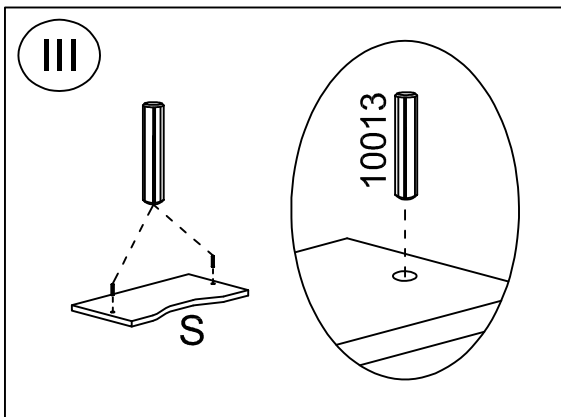
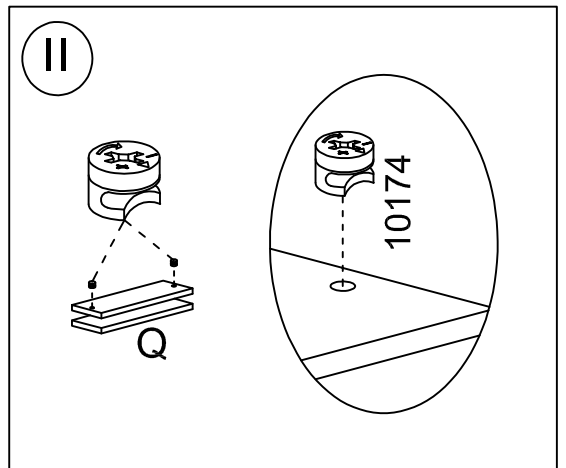
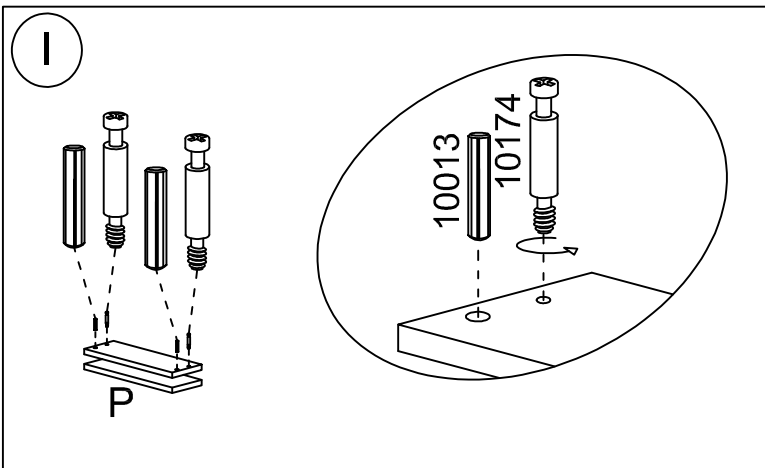
2.5

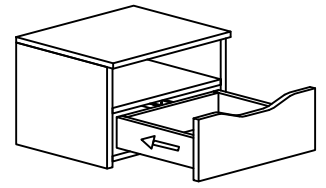
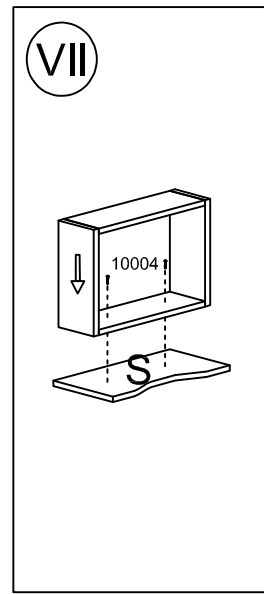
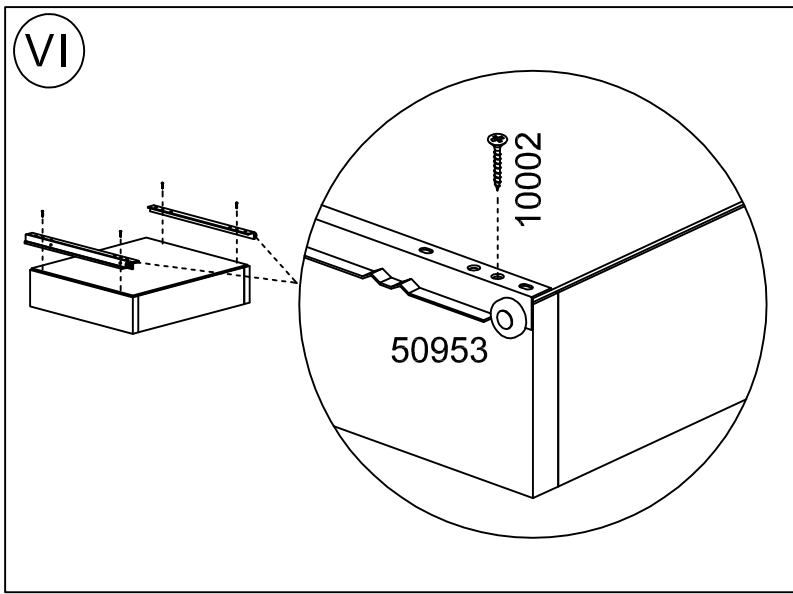
3.5



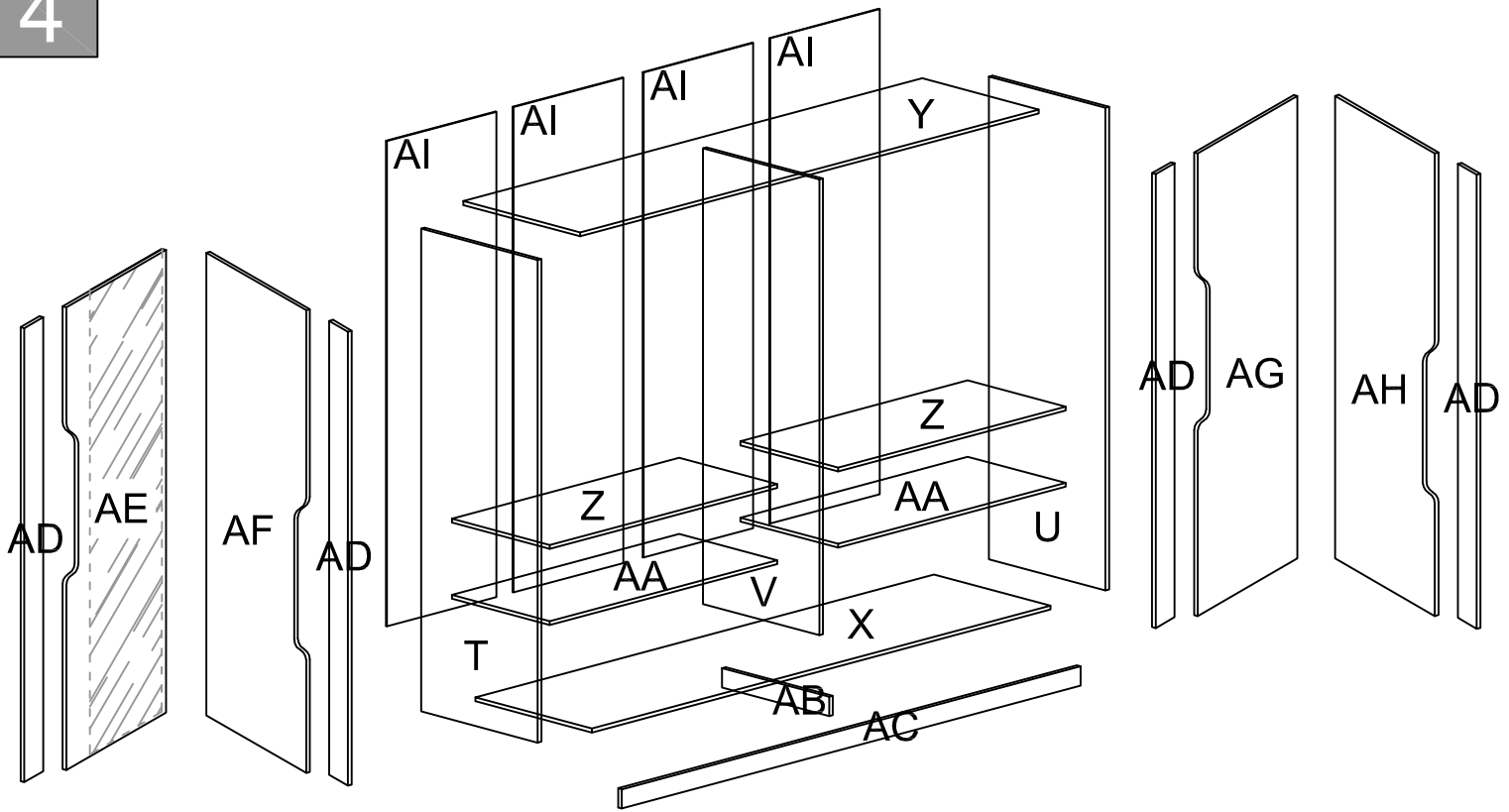
2.6

3.6

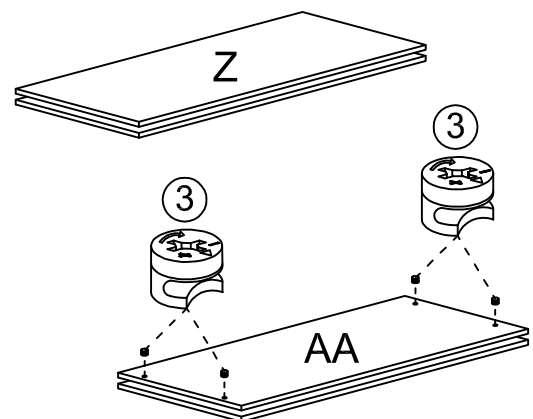
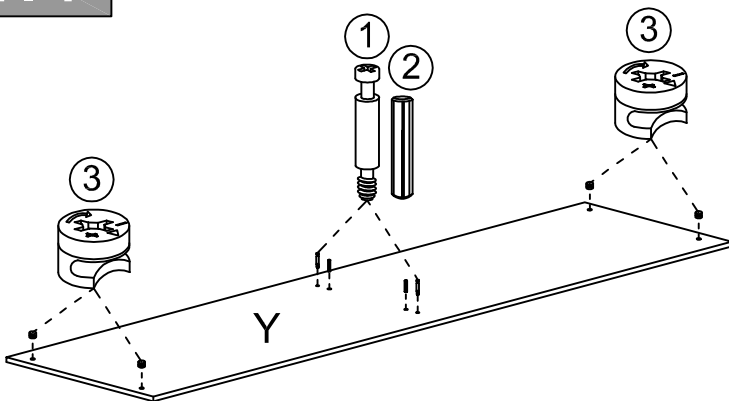


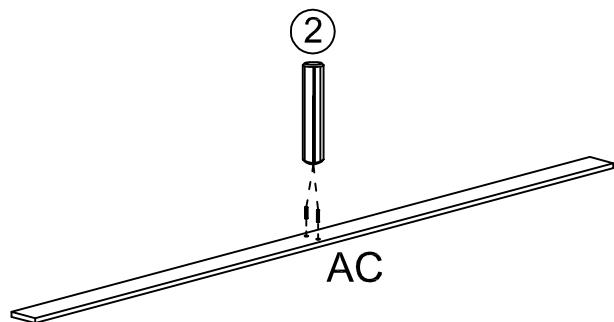
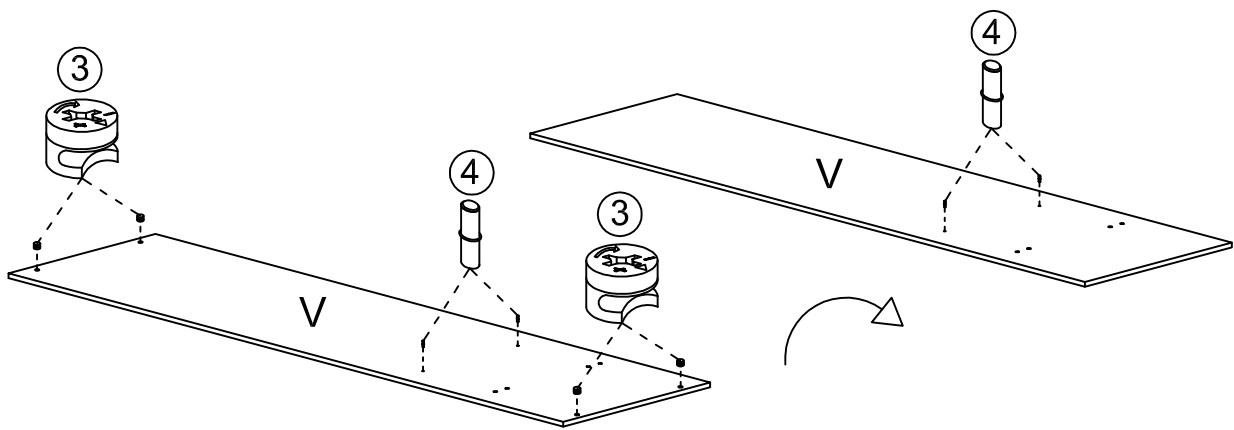
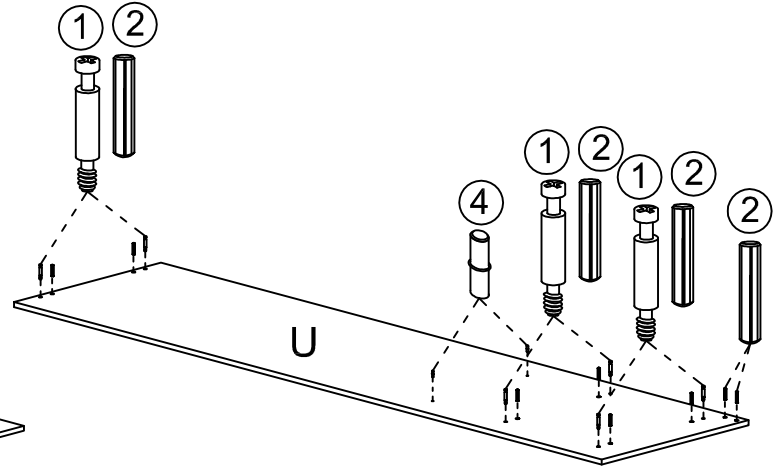
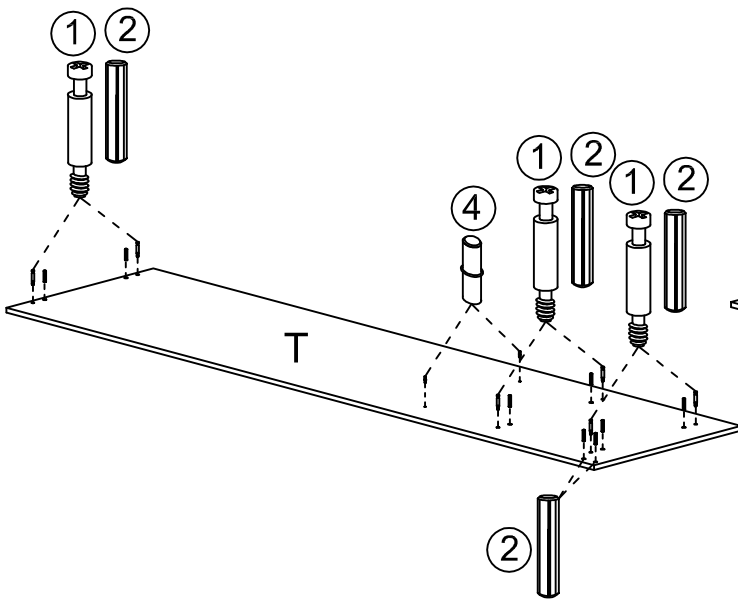
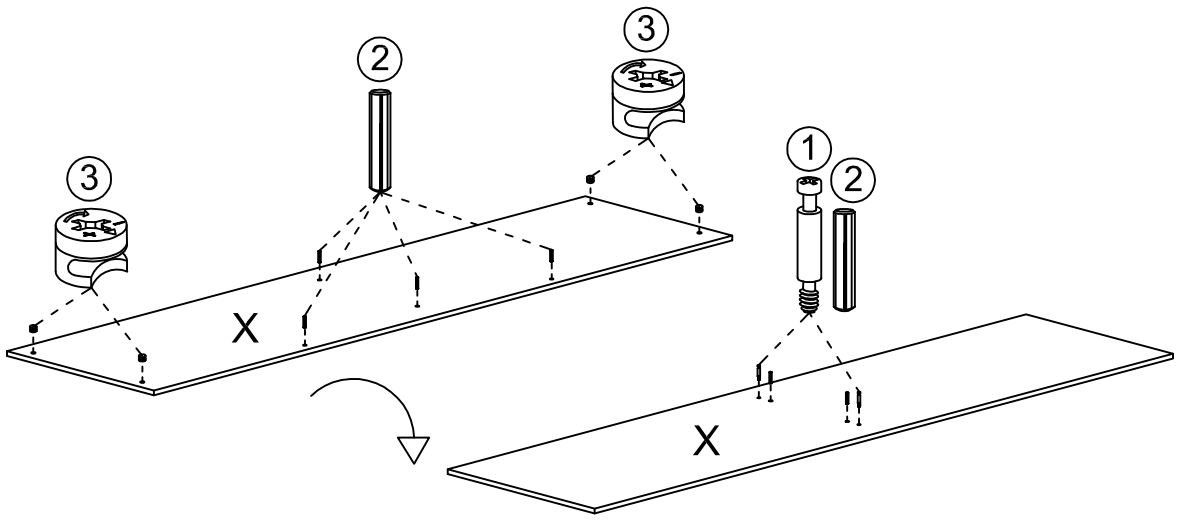


**4**

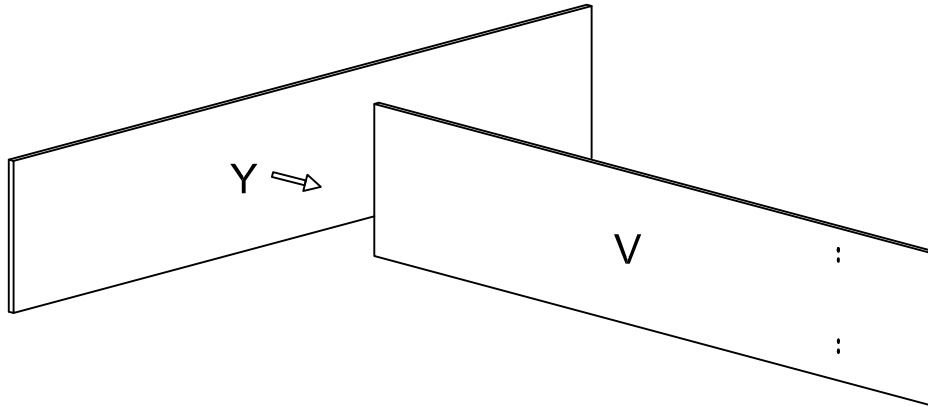
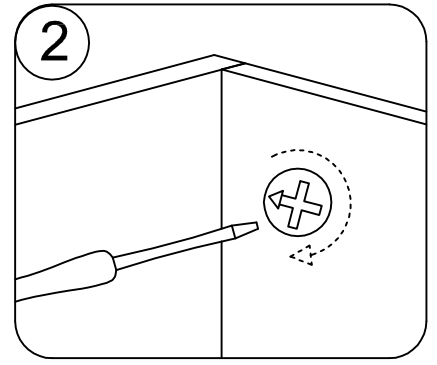
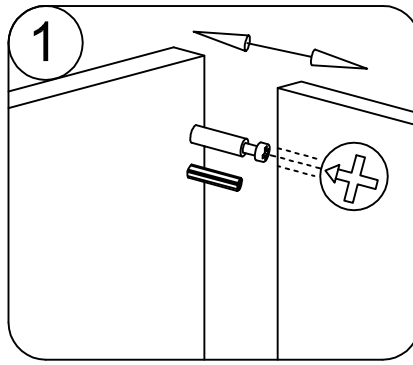


**4.1**

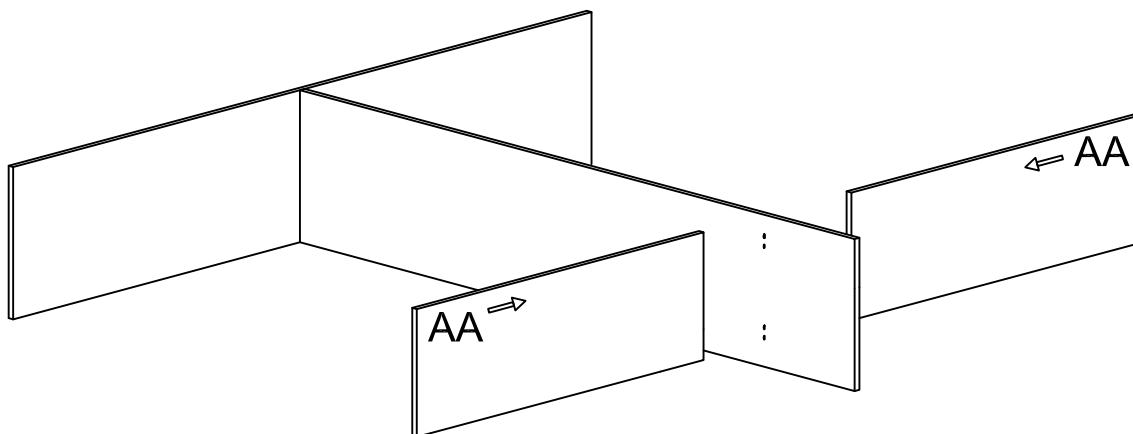
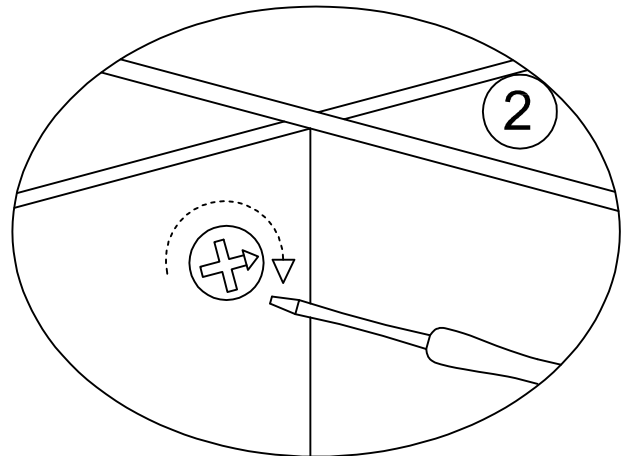
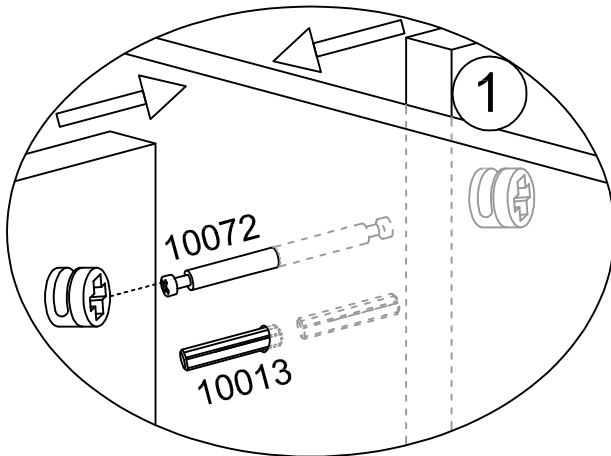




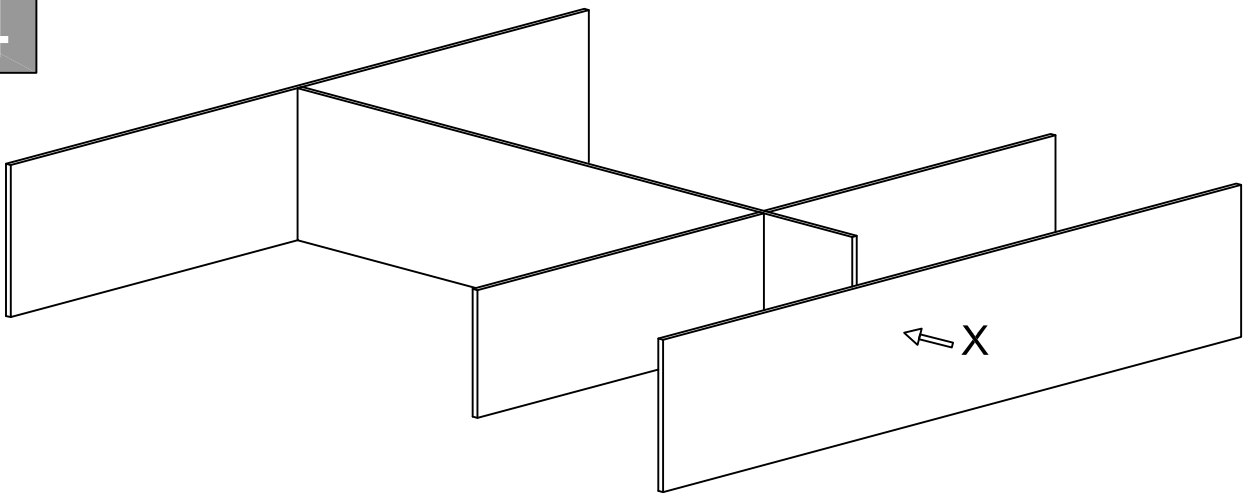
# 4.2



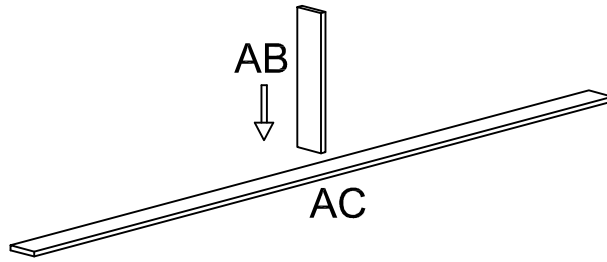
# 4.3



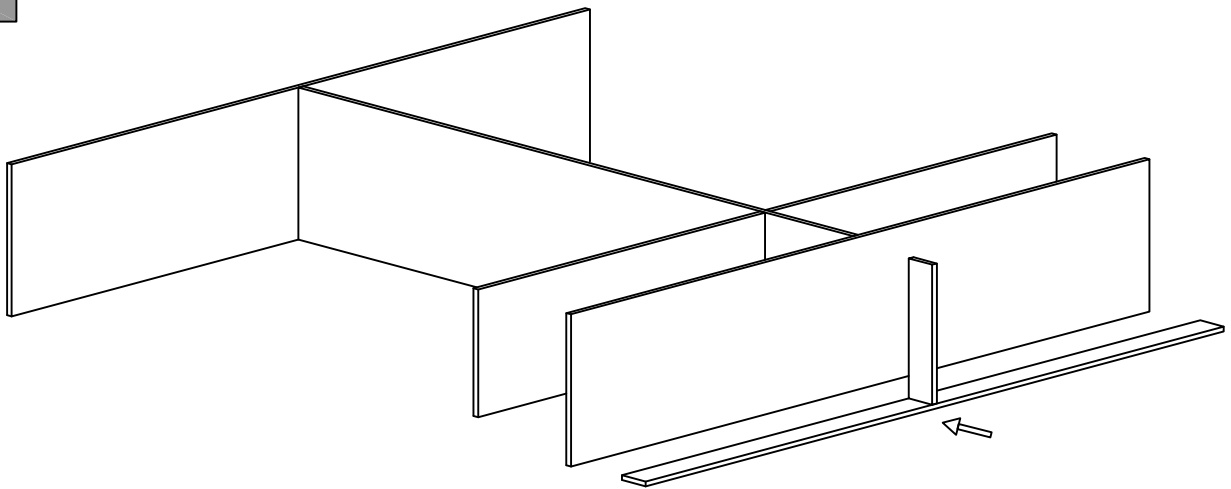
4.4



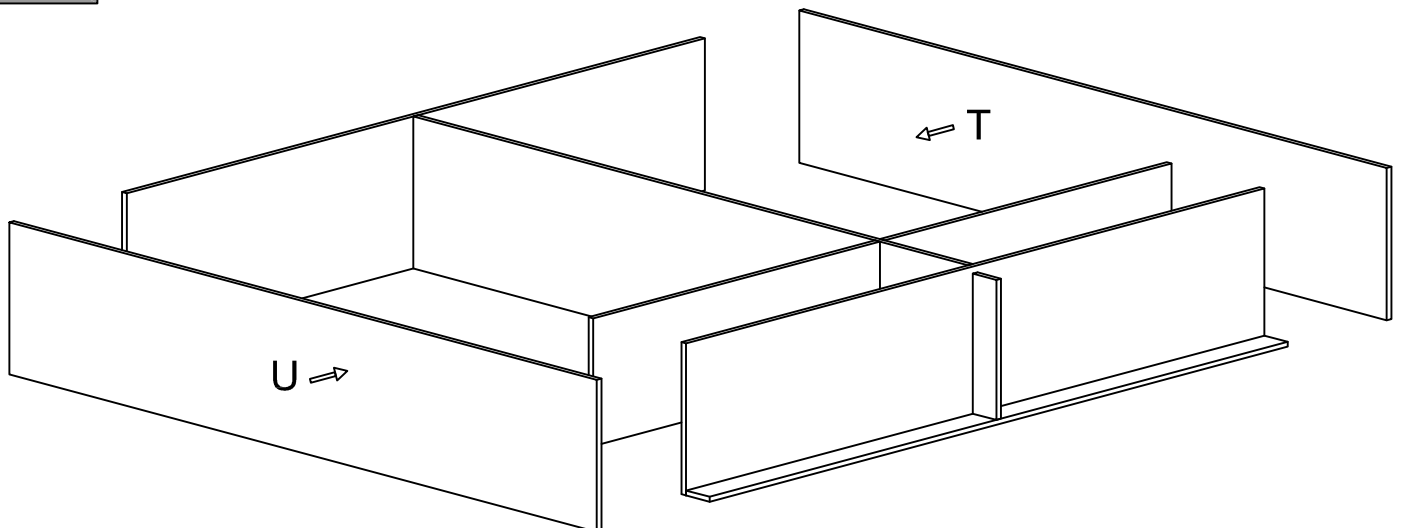
4.5



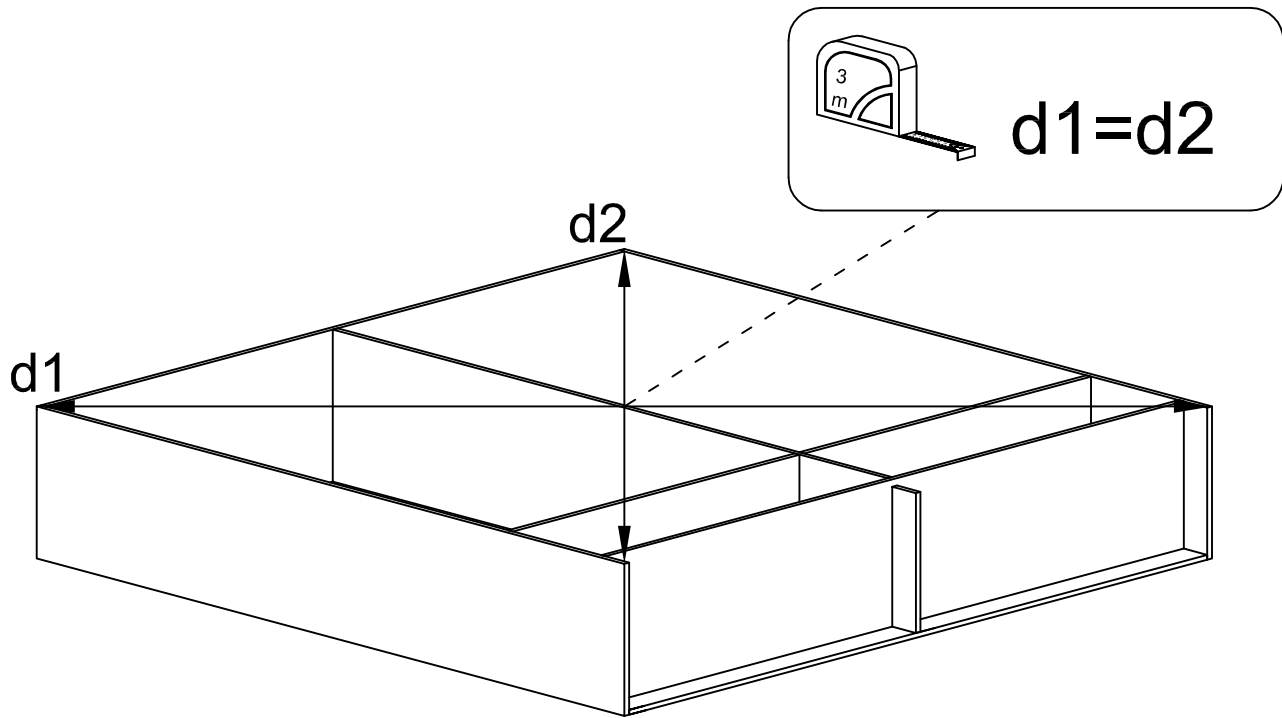
4.6



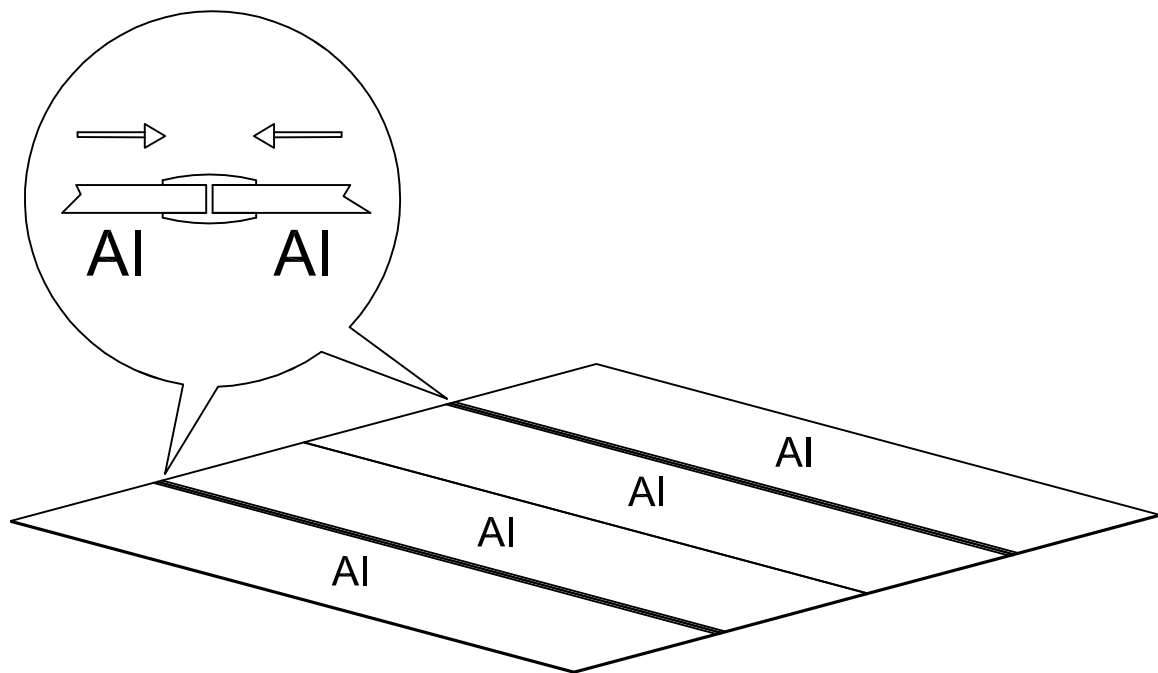
4.7



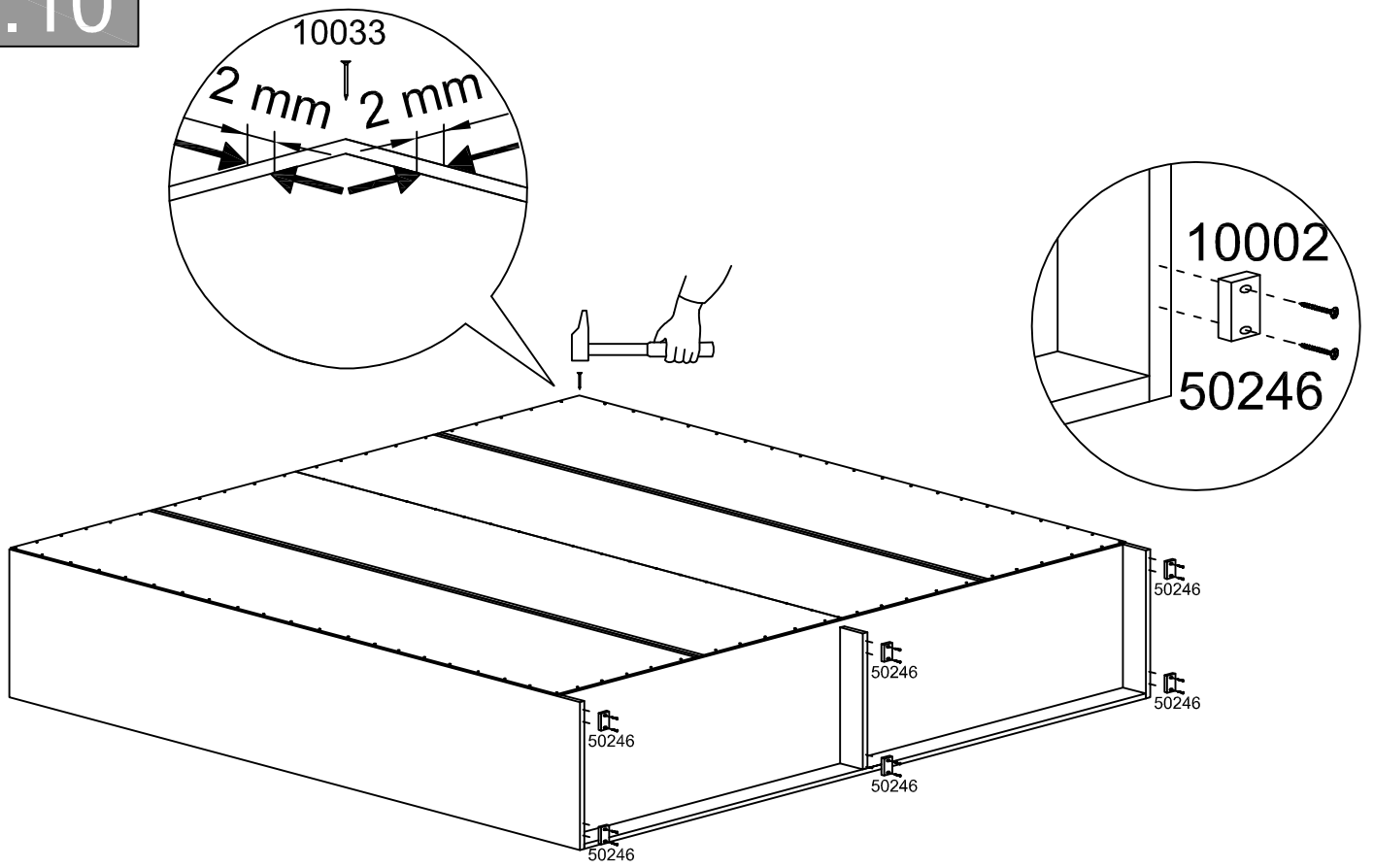
# 4.8



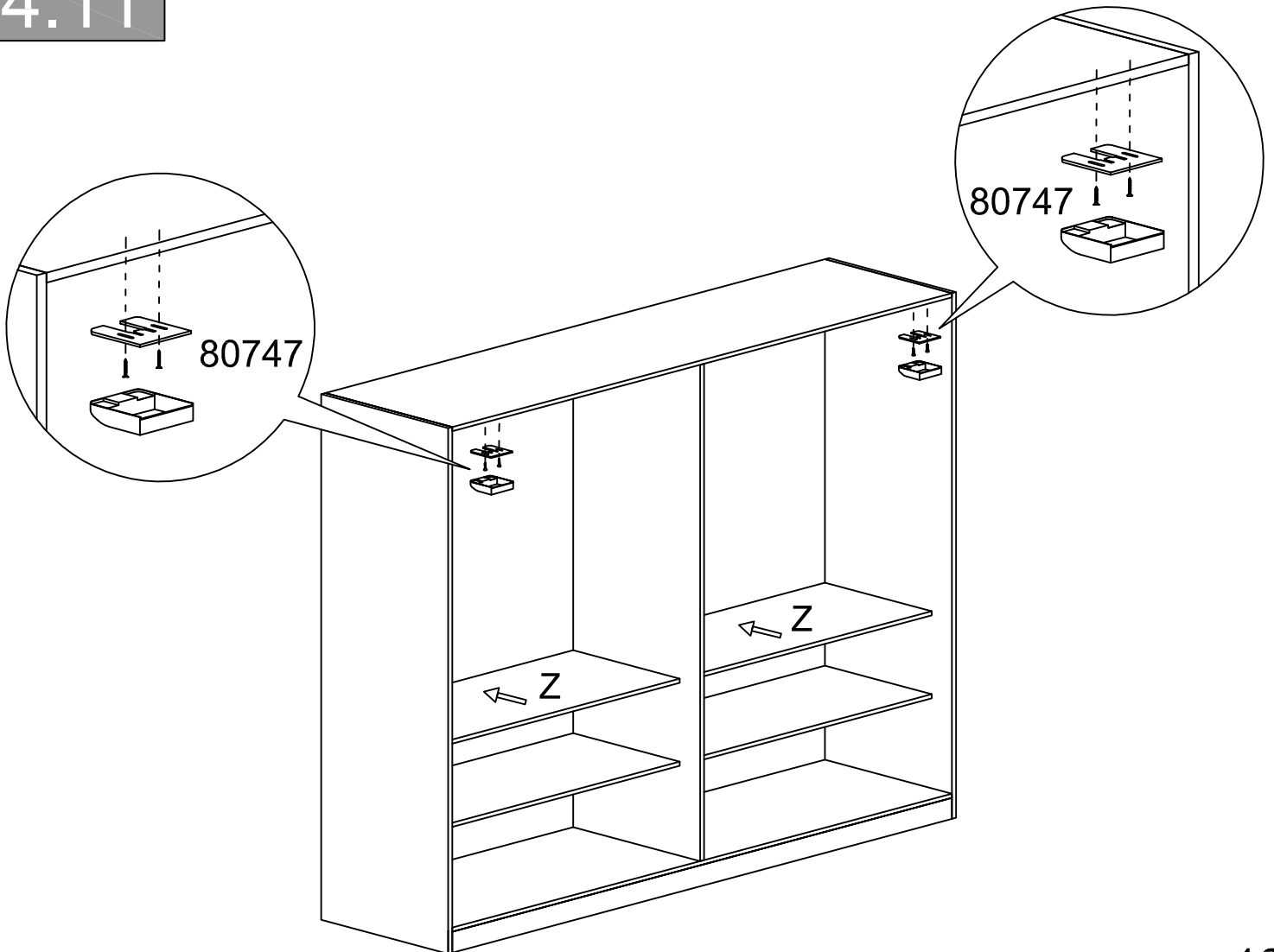
# 4.9



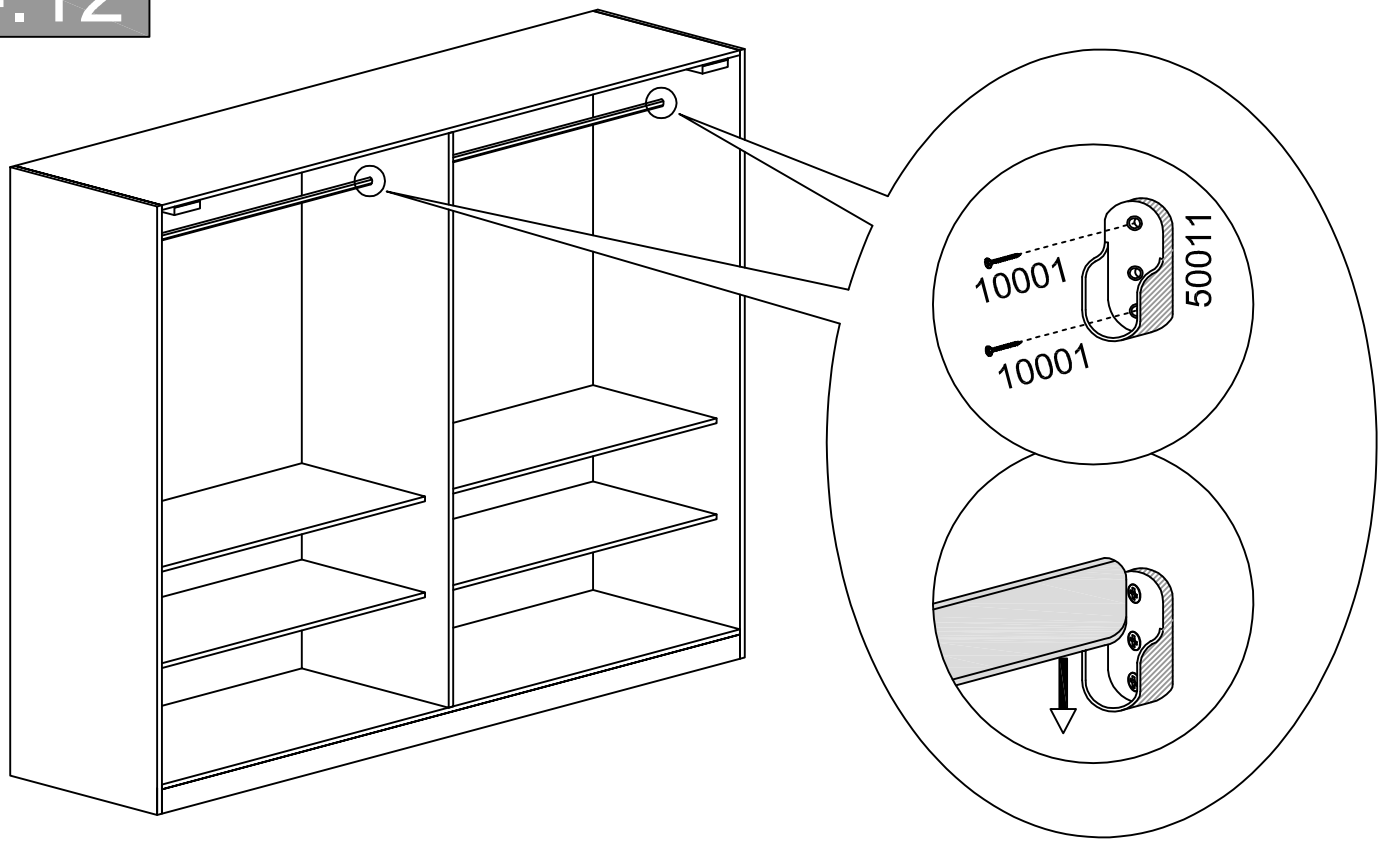
# 4.10



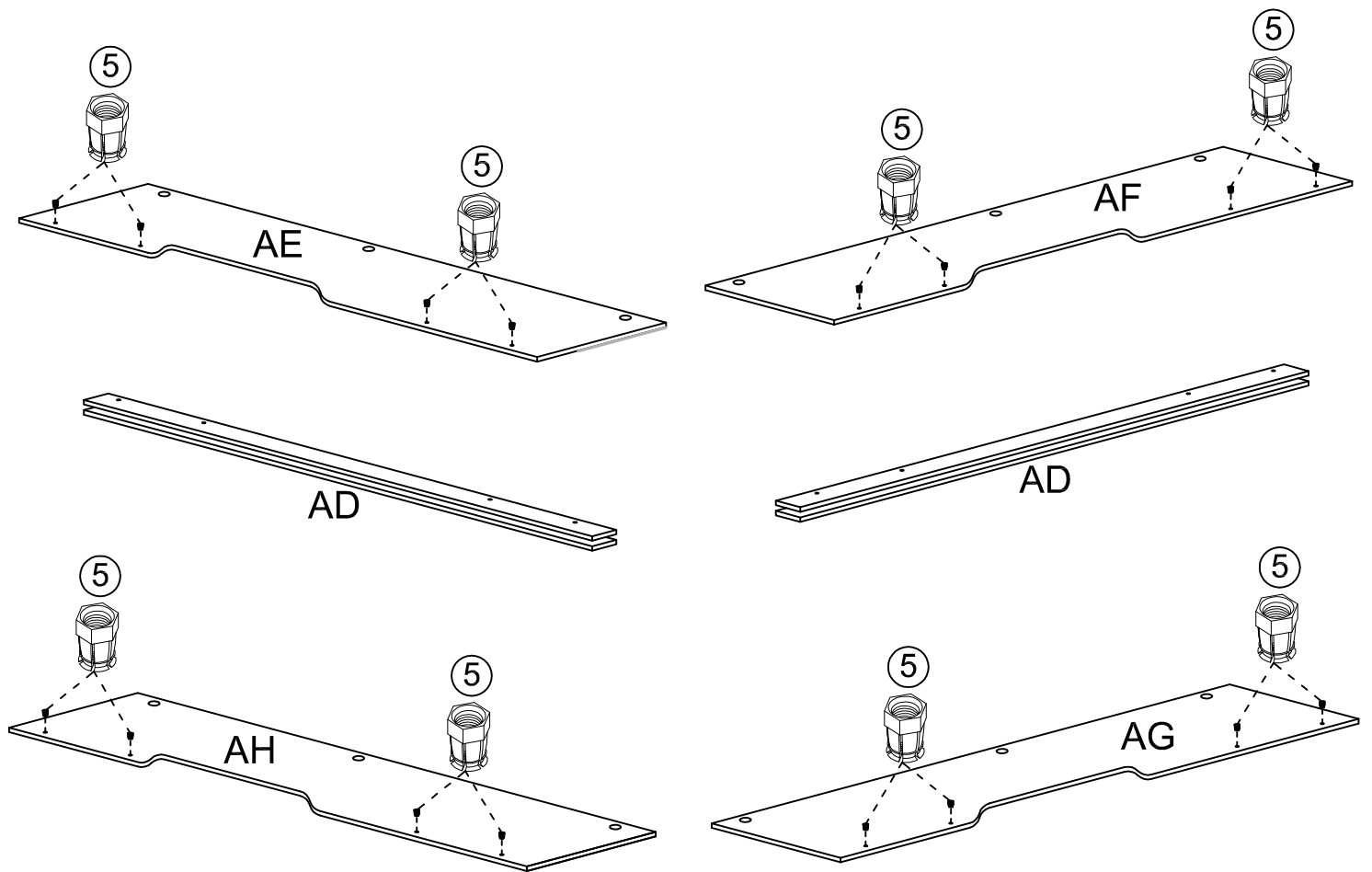
# 4.11



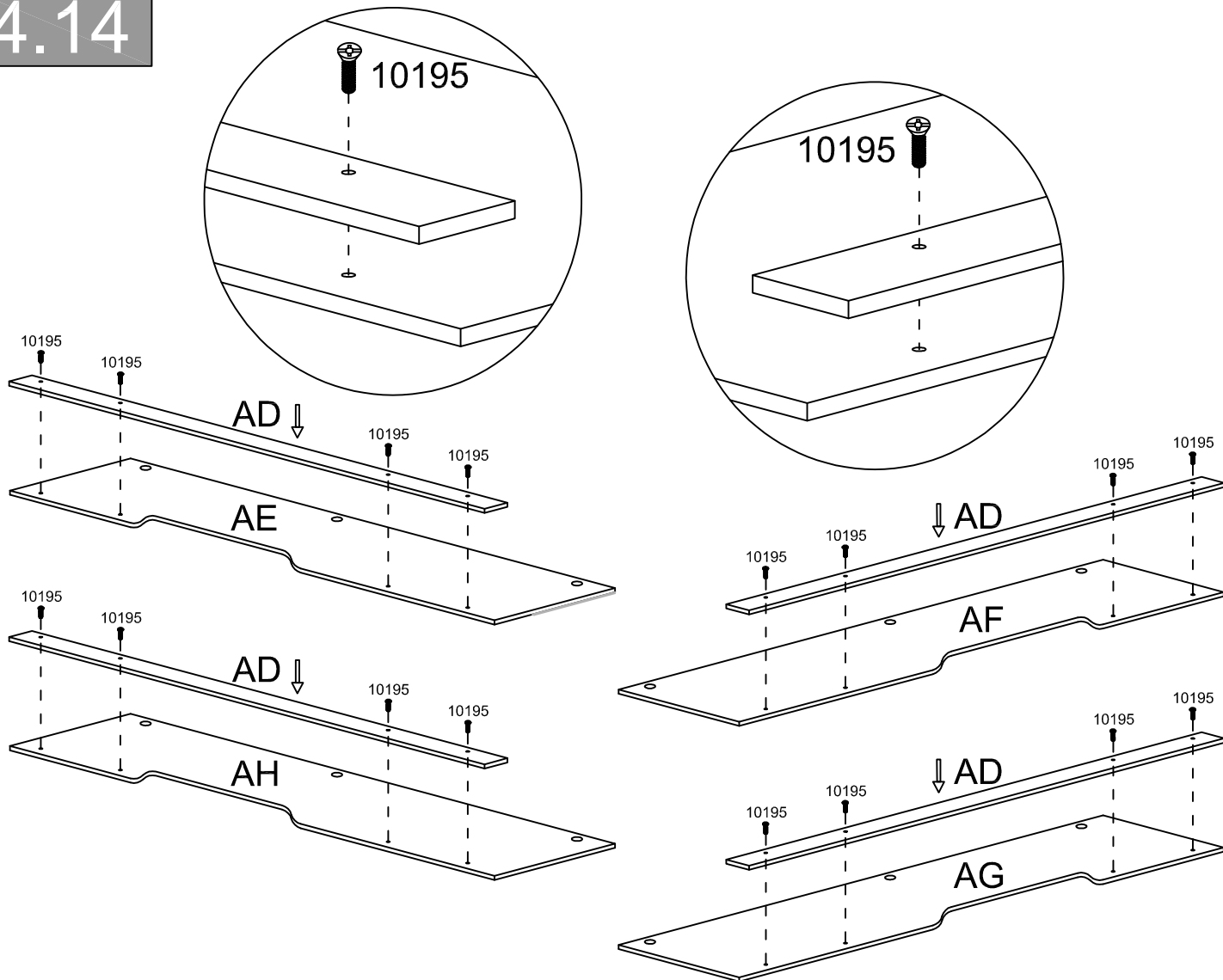
# 4.12



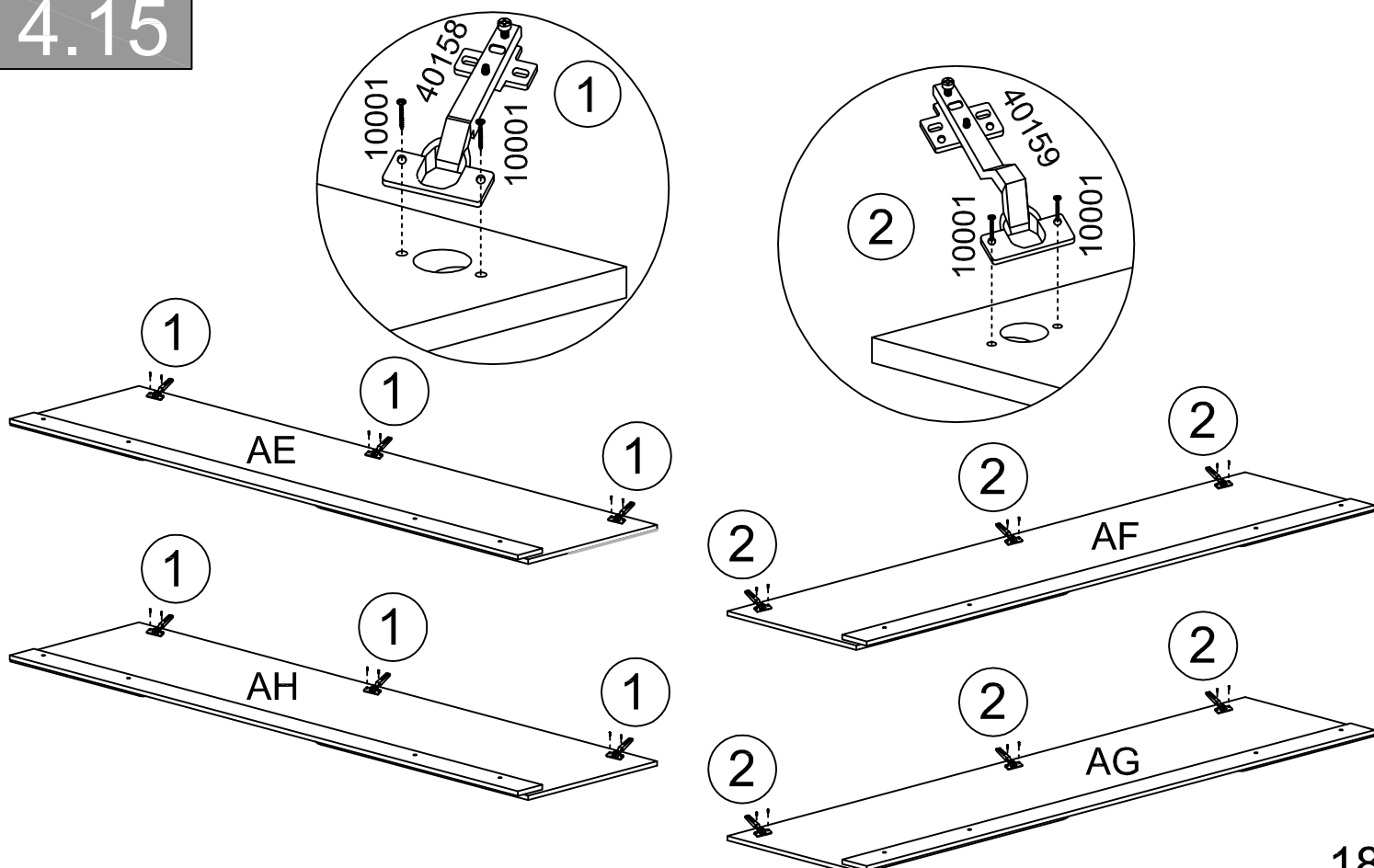
# 4.13



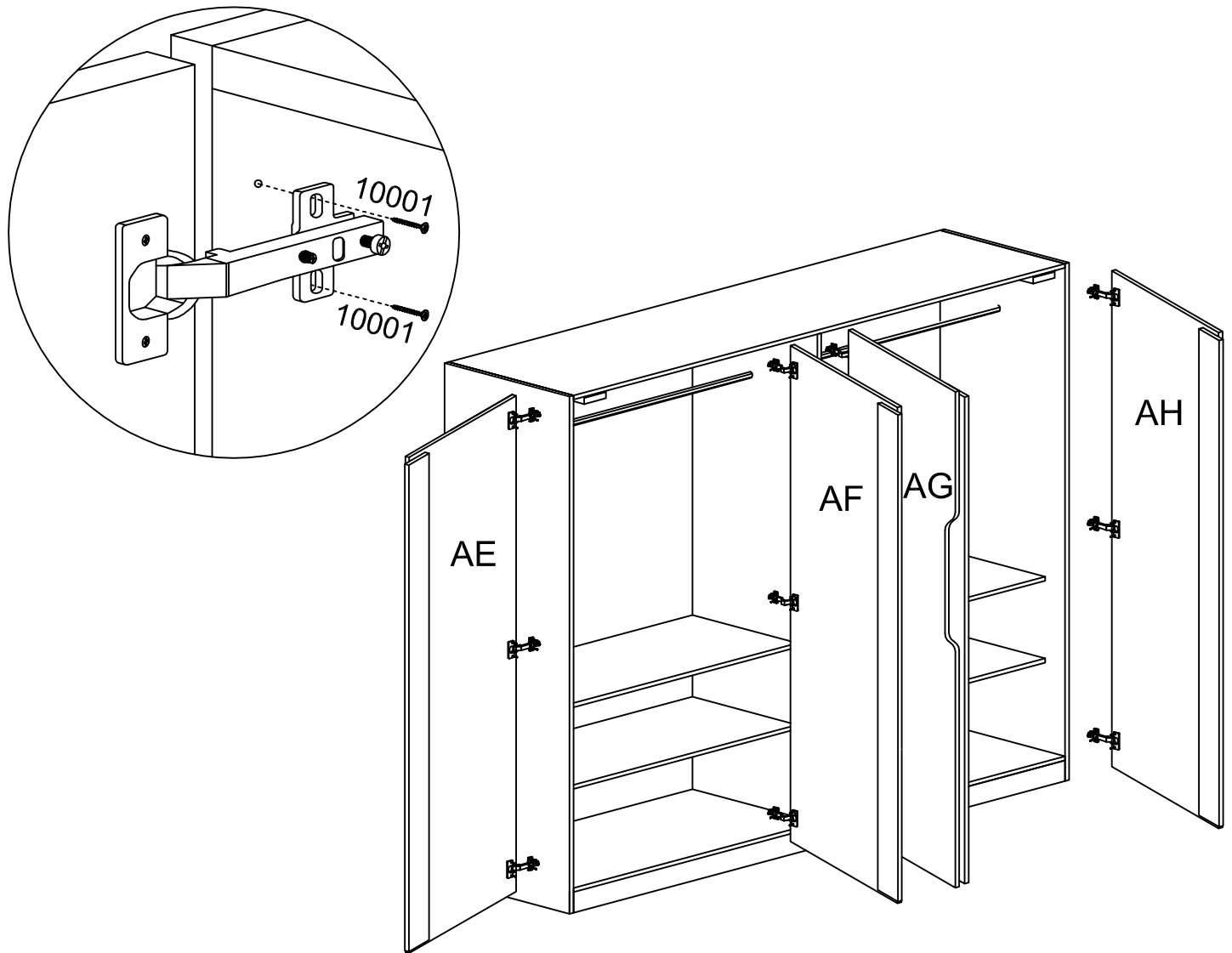
# 4.14



# 4.15



# 4.16



# 4.17

