

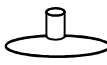










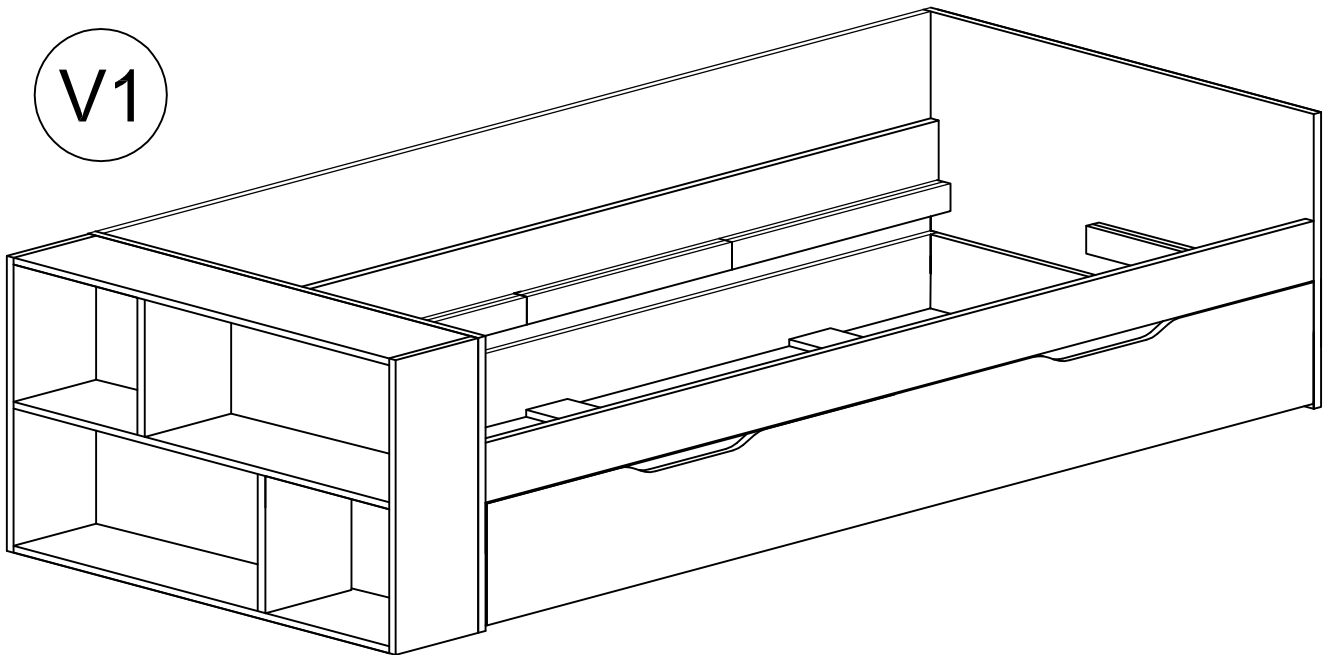
# City 2020

A	956x760	1/3
B	956x760	1/3
C	2043x760	1/3
D/d	2x 2043x140	2/3
E	12x 480x60	1,2/3
F	2x 905x160	2/3
G	2036x160	2/3

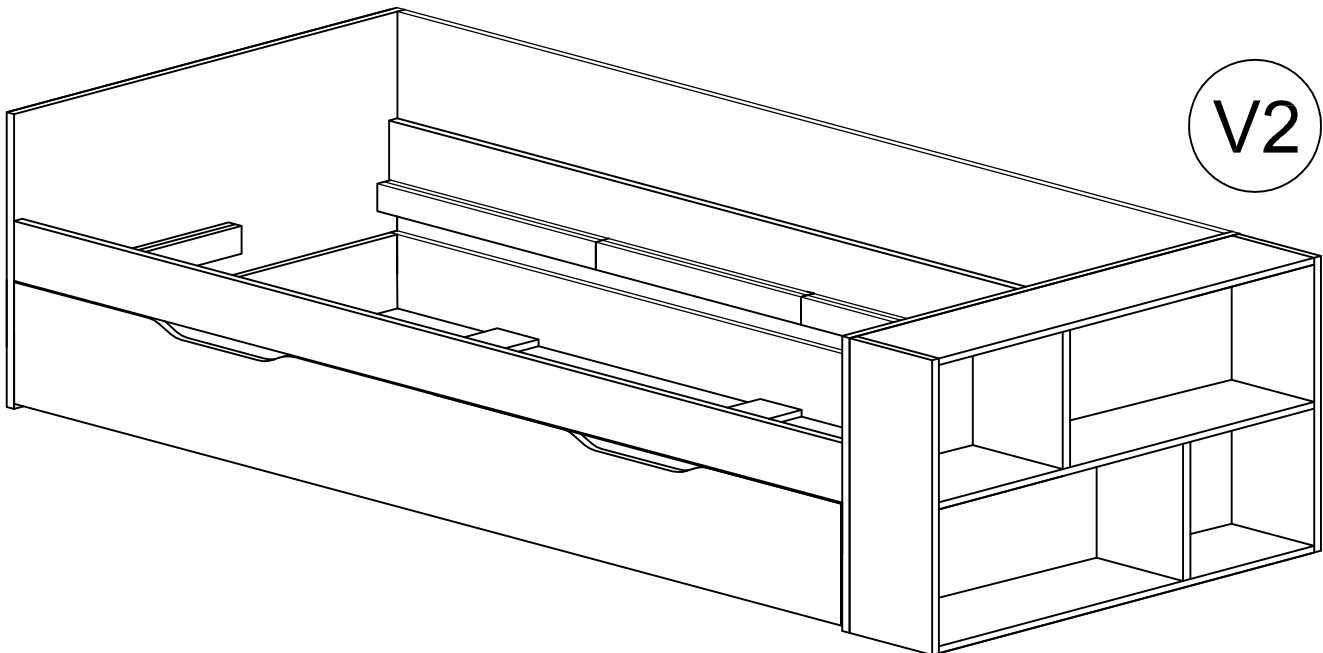
H	2037x297	2/3
I	2x 905x100	2/3
J	760x200	3/3
K	760x200	3/3
L	2x 924x 195	3/3
M	924x195	3/3
N	2x 356x 195	3/3

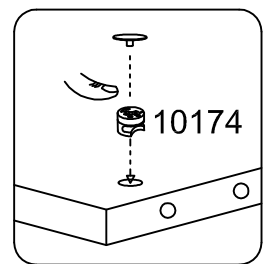
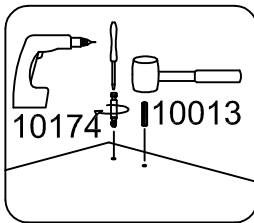
50x  10174	53x  10013	50x  50317	6x  50765	6x  Φ 6/12 10132	8x  50042	10x  50246	16x  Φ 3,5/16 10001	
20x  Φ 3,5/20 10002	40x  Φ 3,5/30 10004	2x  10037						

V1

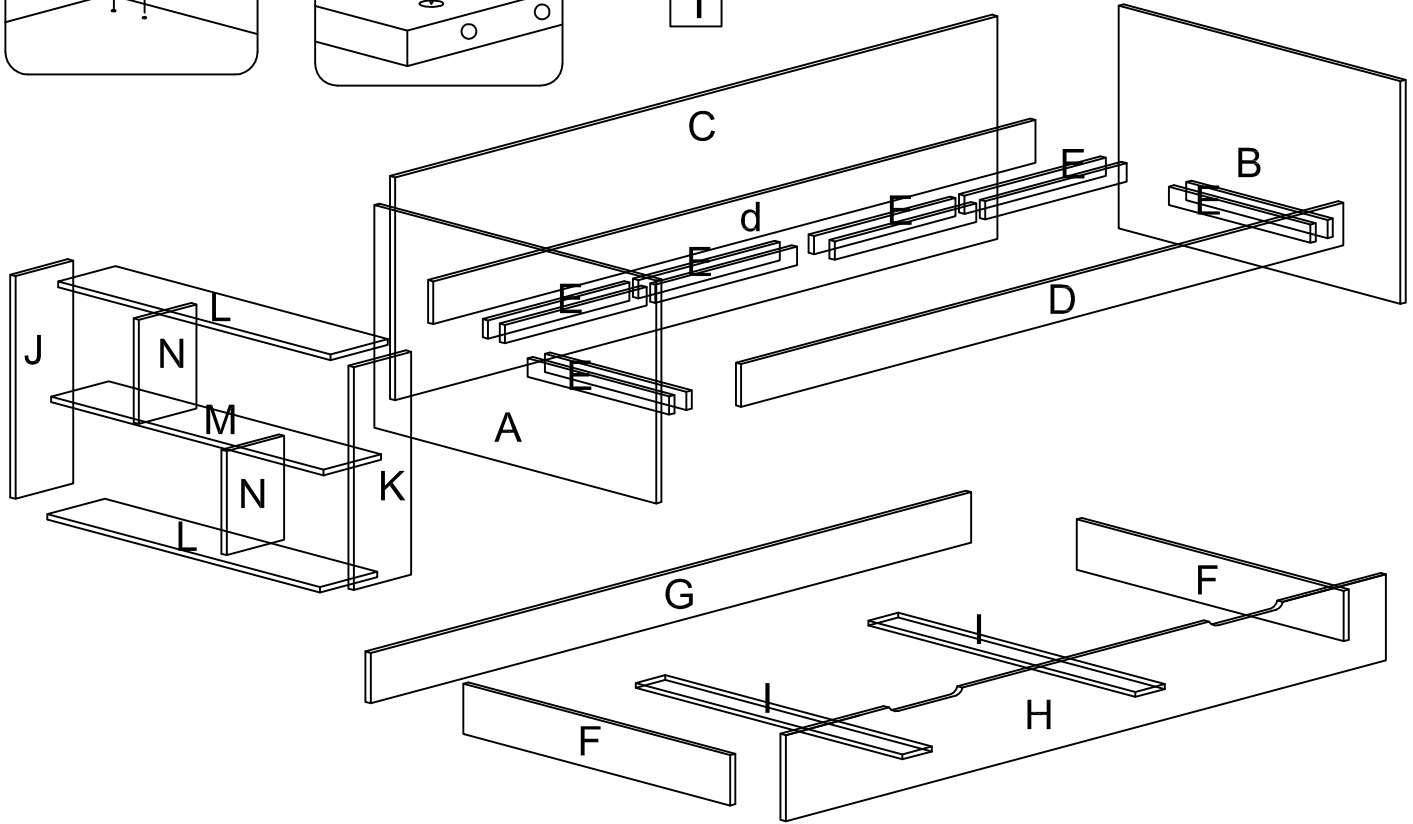


V2

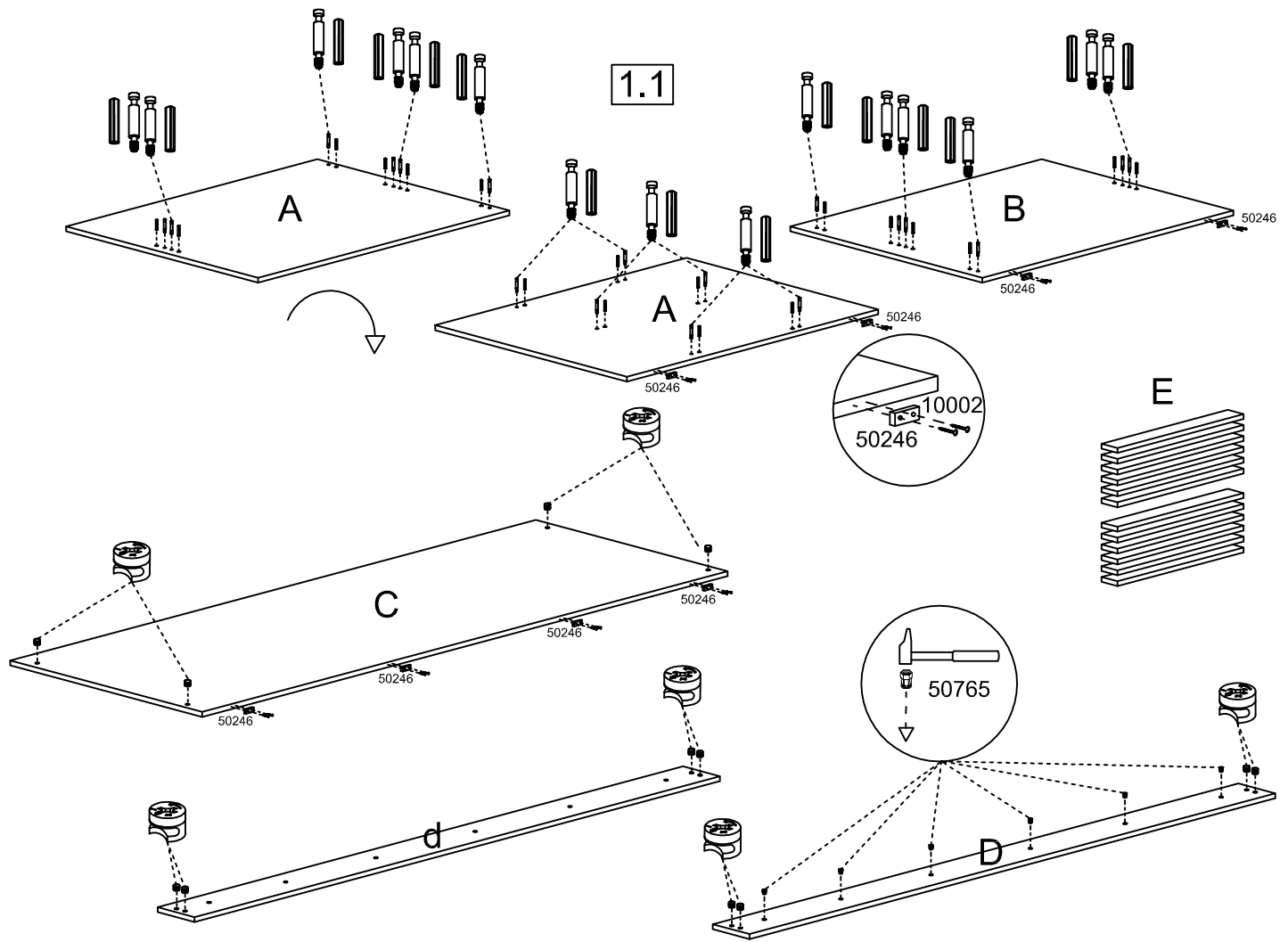




1

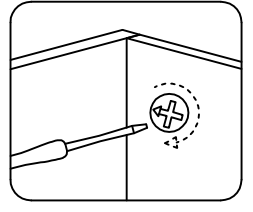
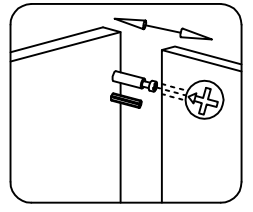
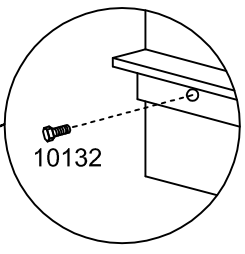
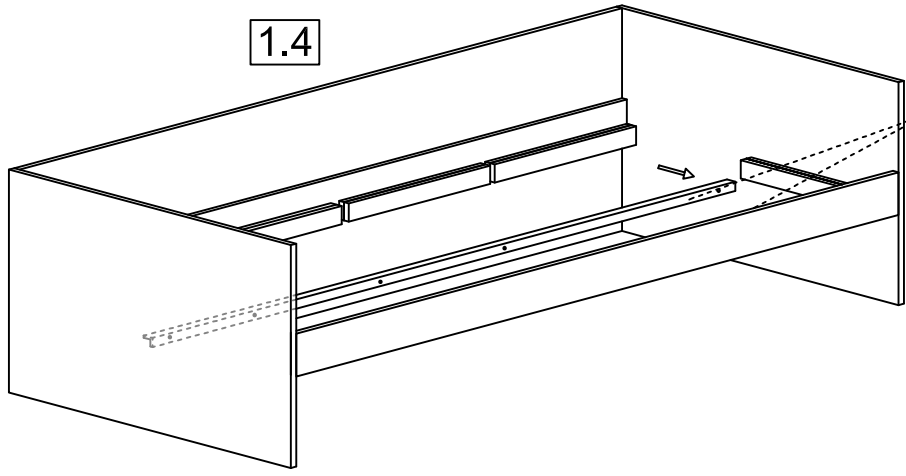


1.1

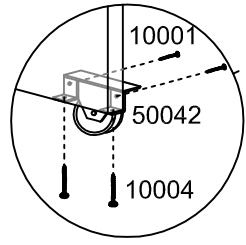
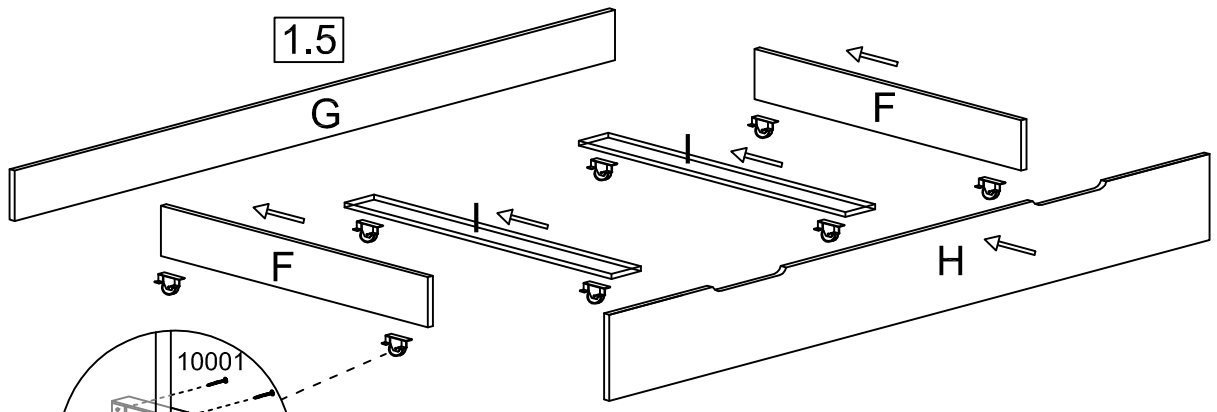




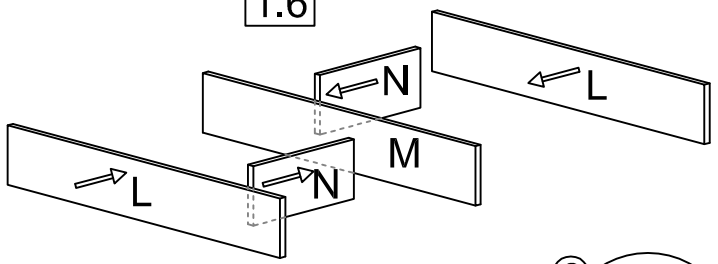
1.4



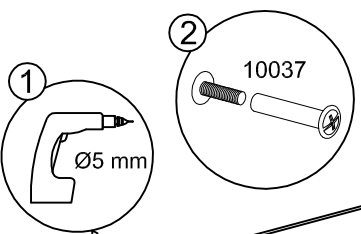
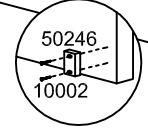
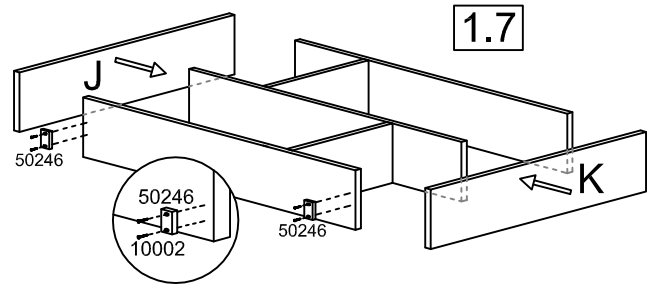
1.5



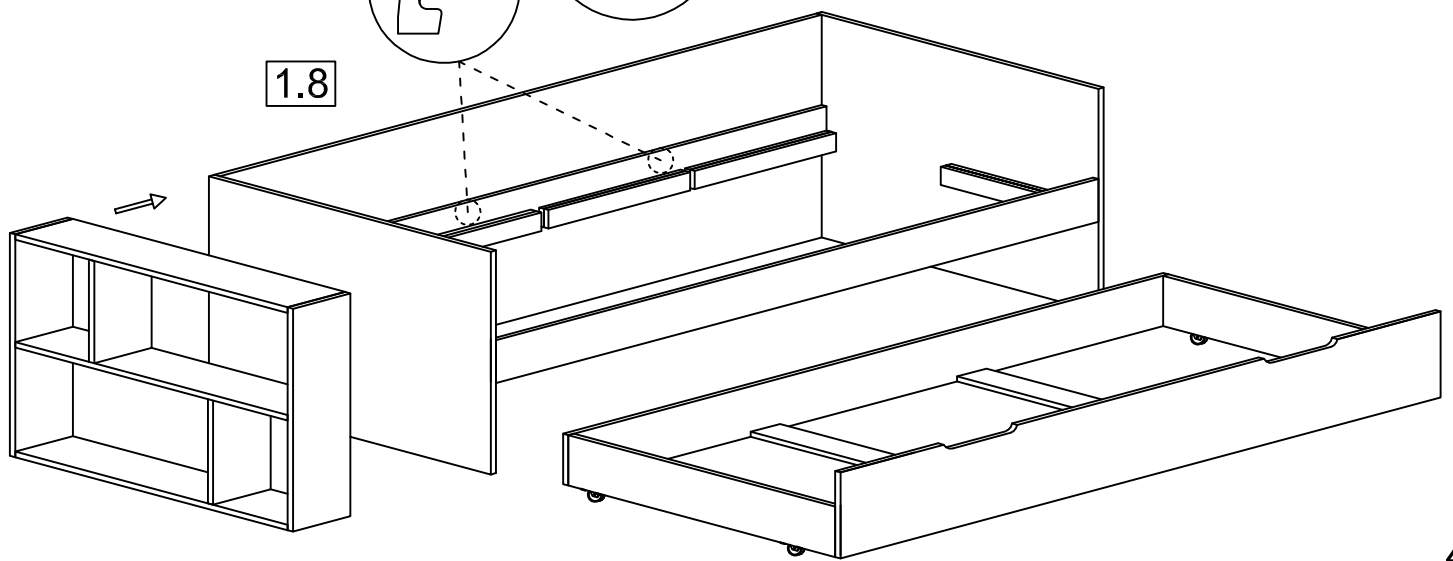
1.6

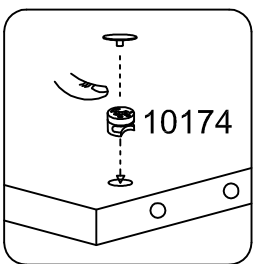
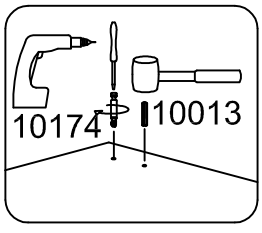


1.7

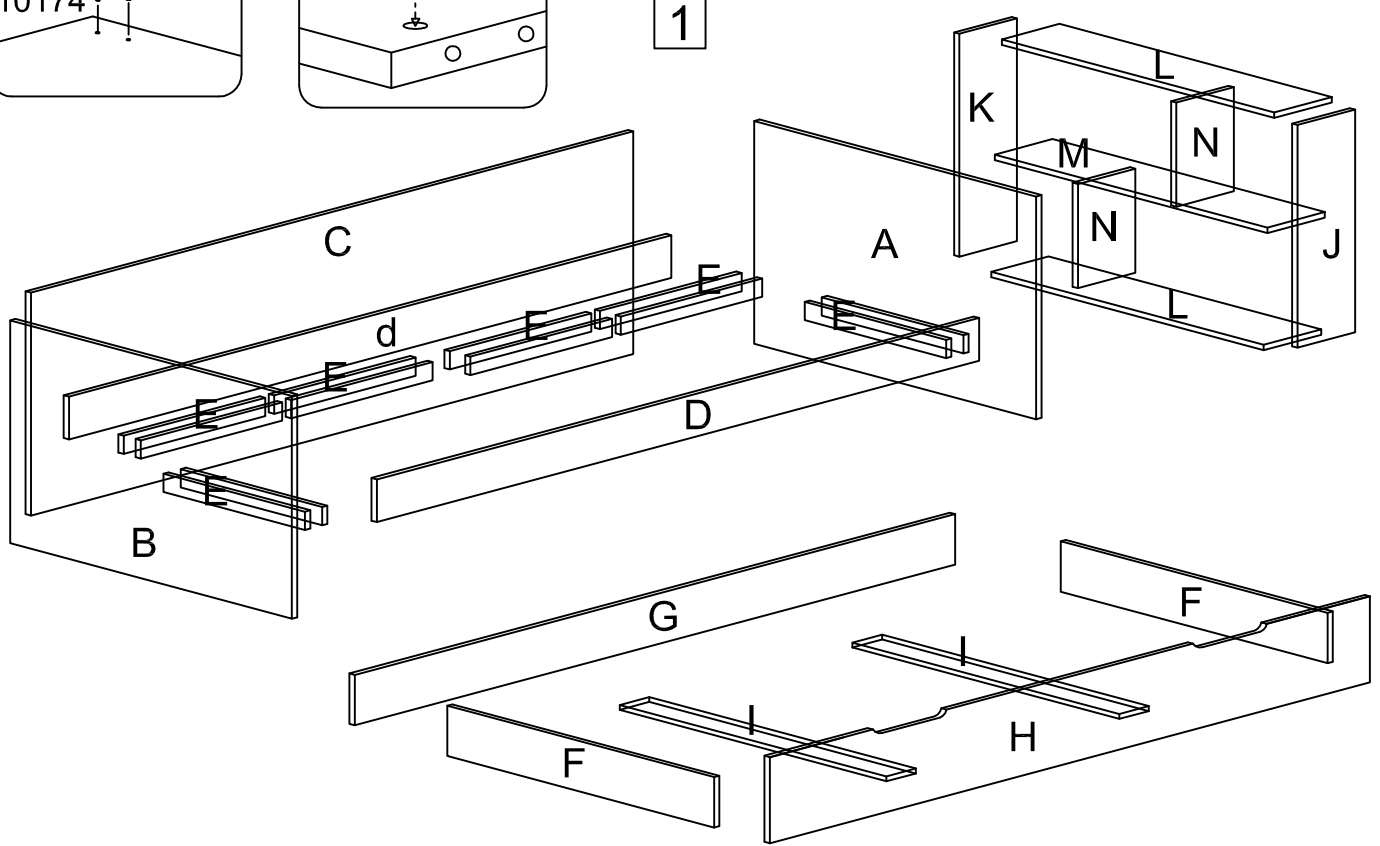


1.8

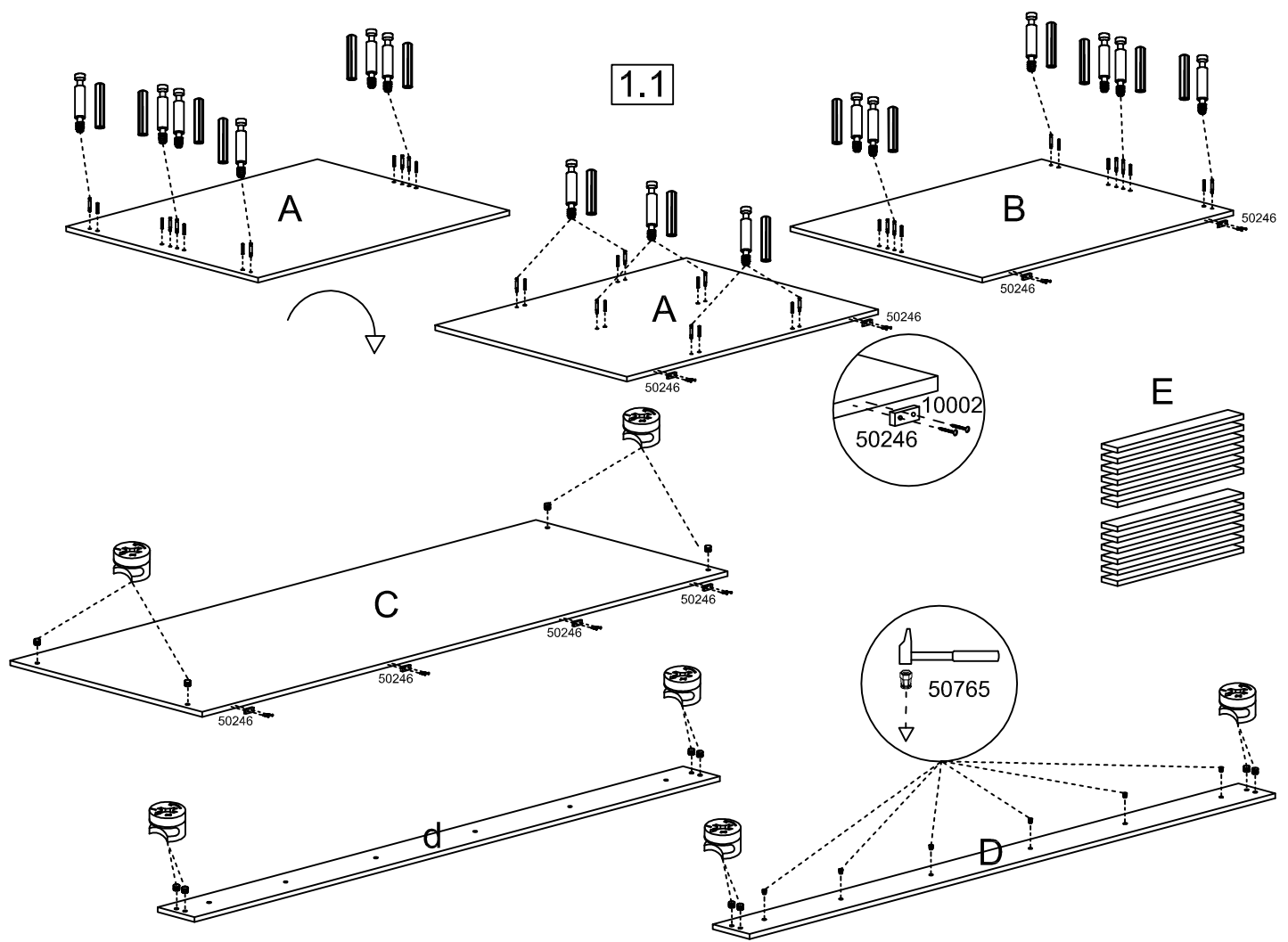


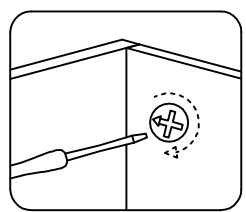
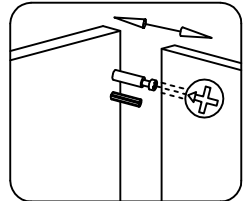
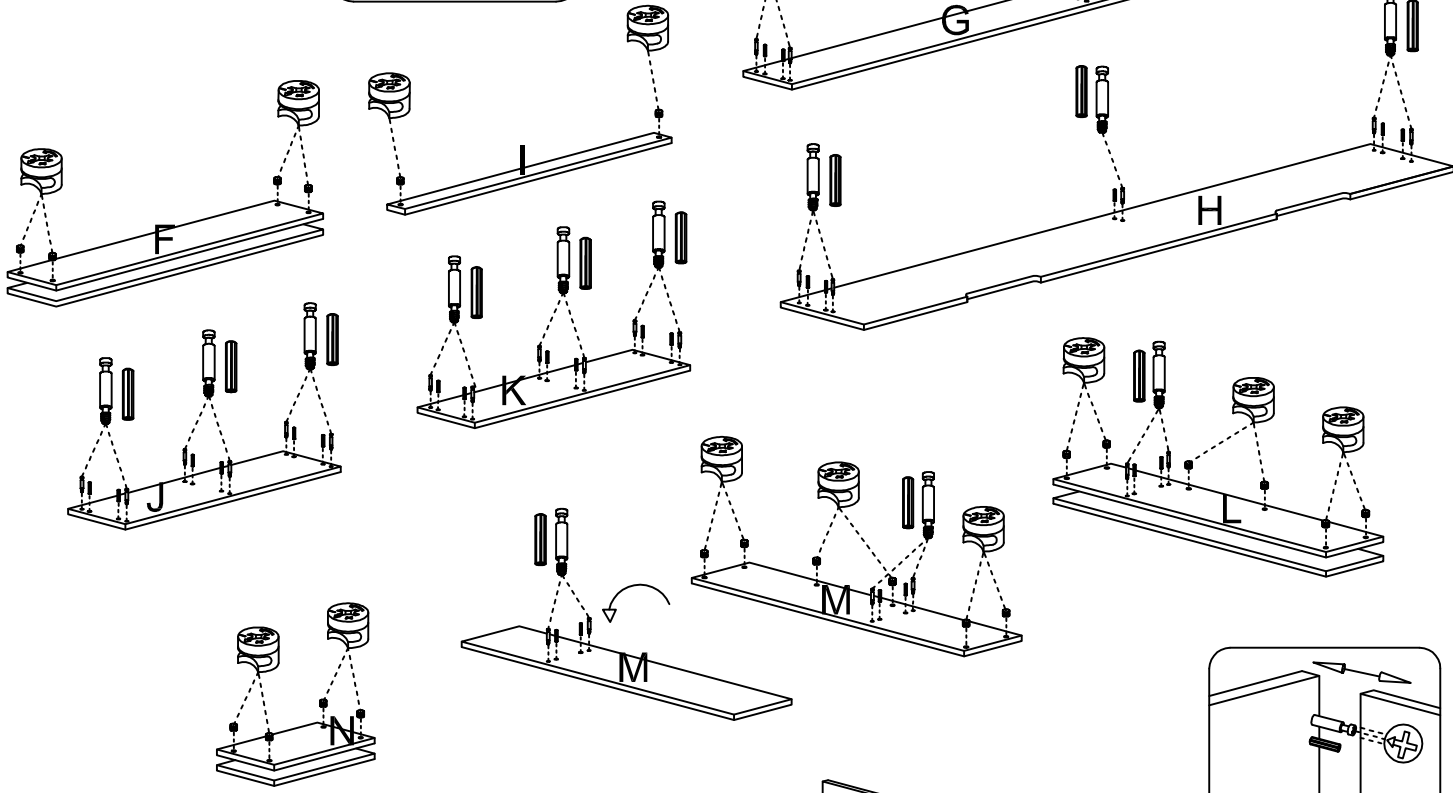
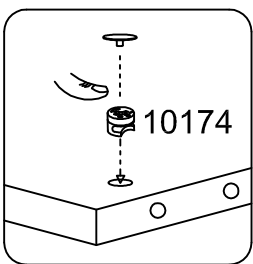
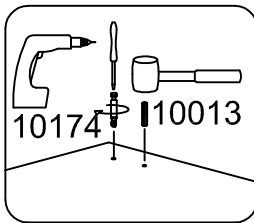


1

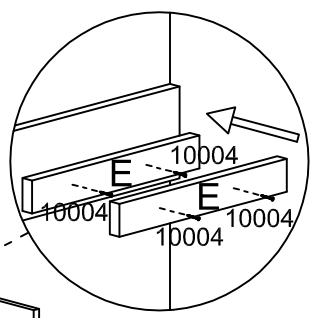
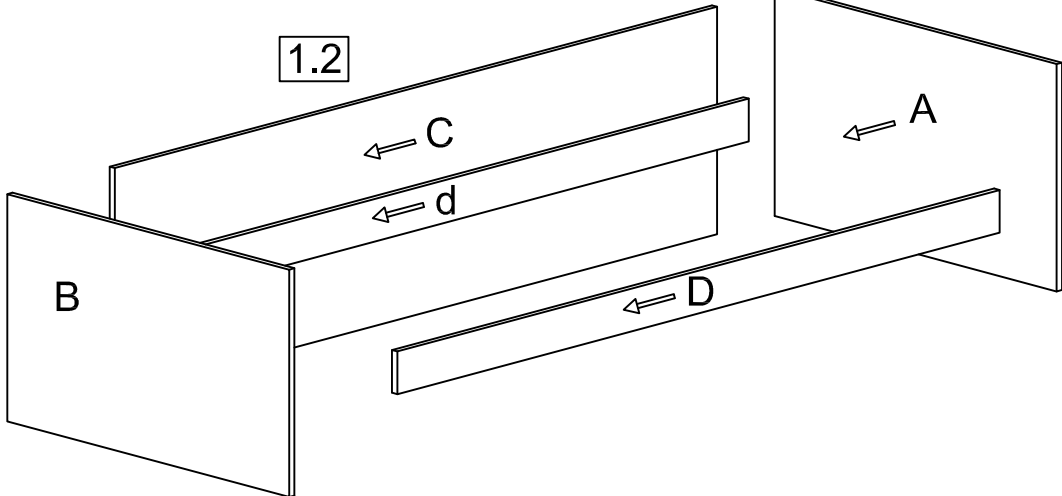


1.1

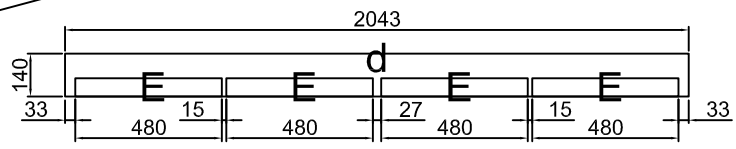
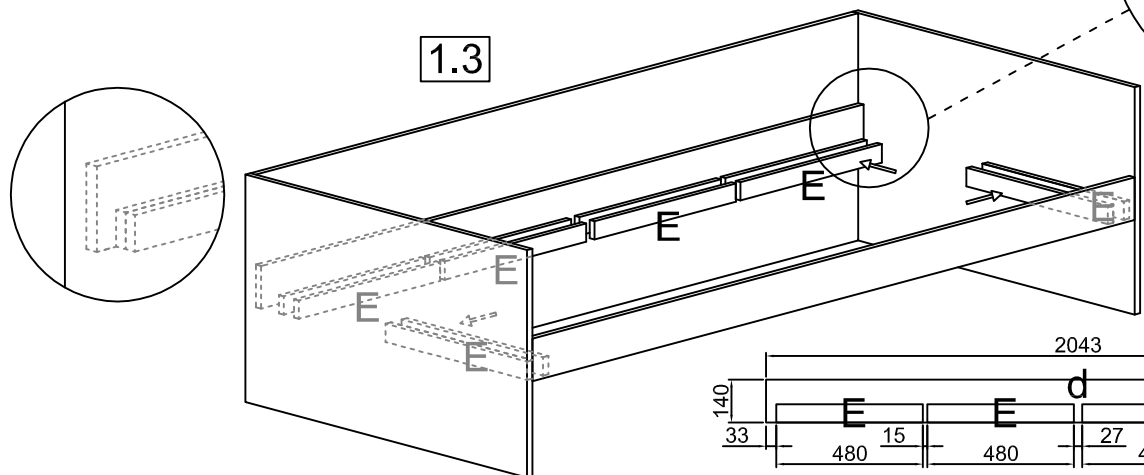




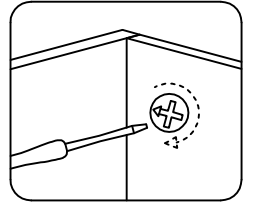
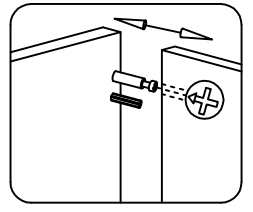
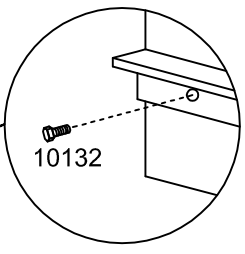
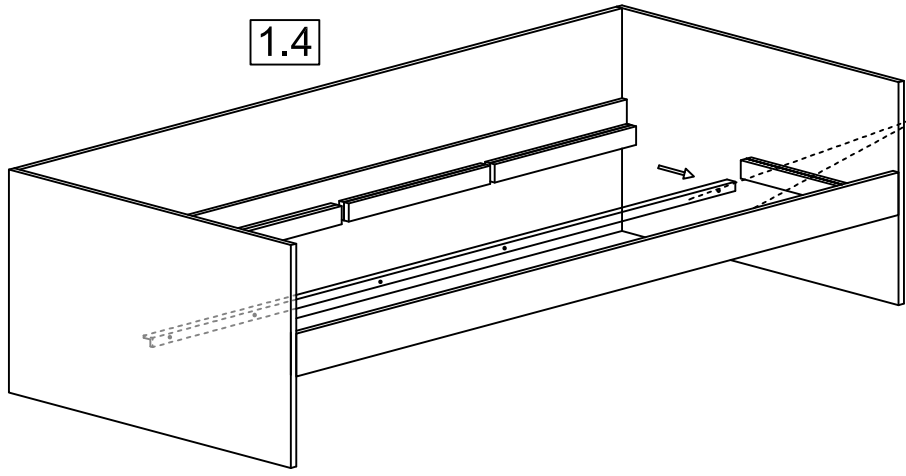
1.2



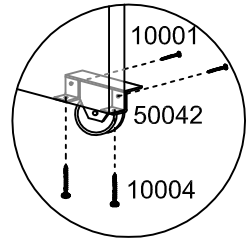
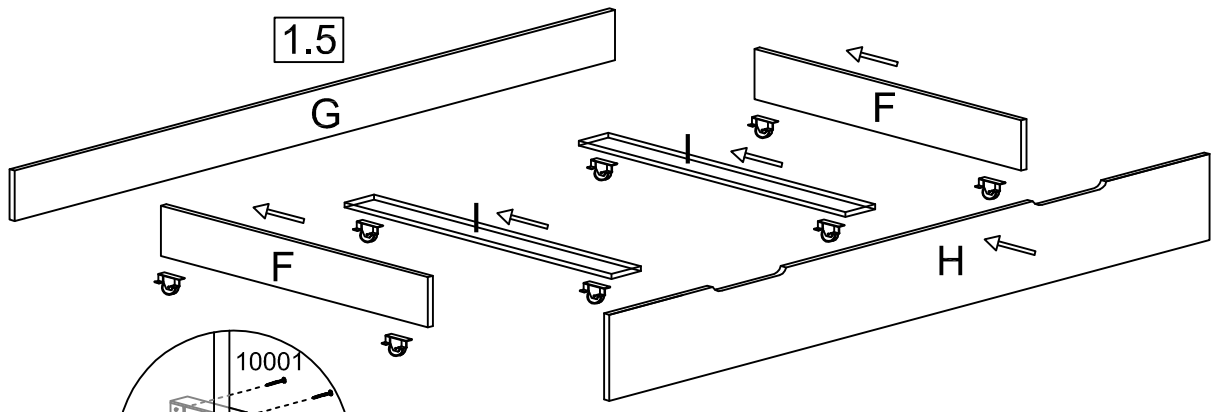
1.3



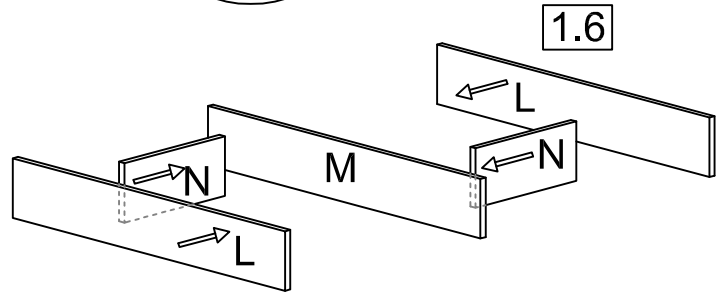
1.4



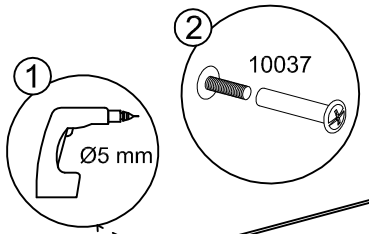
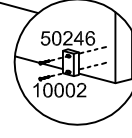
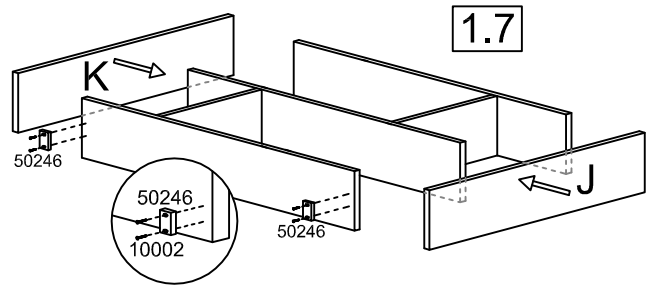
1.5



1.6



1.7



1.8

