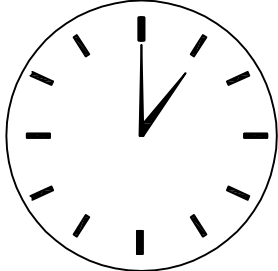
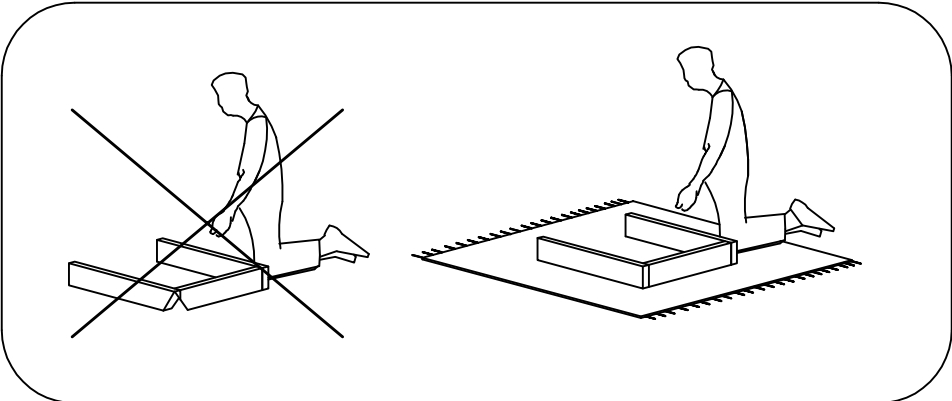
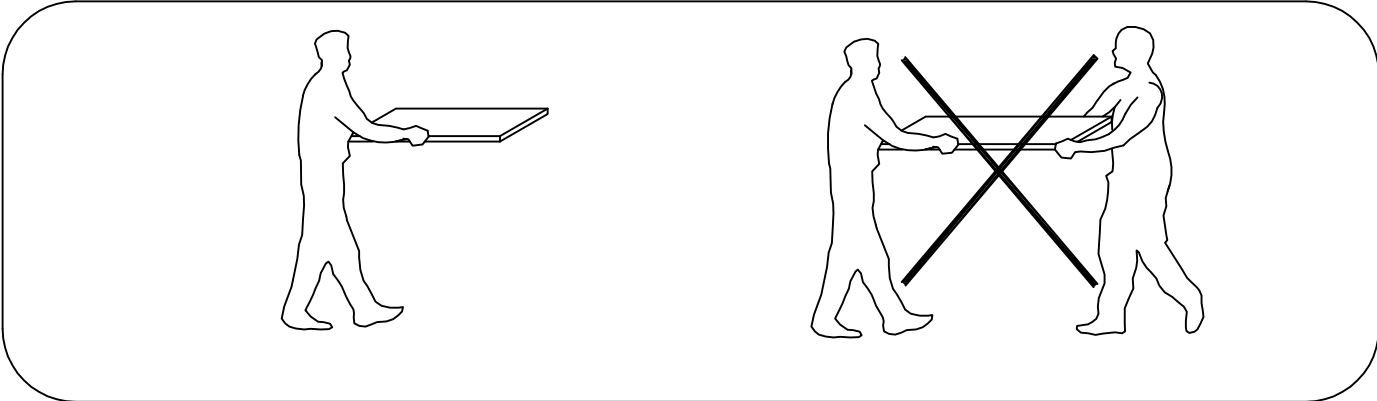
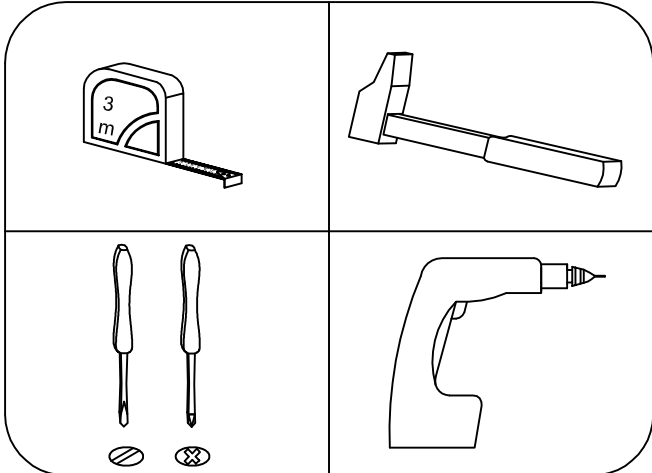
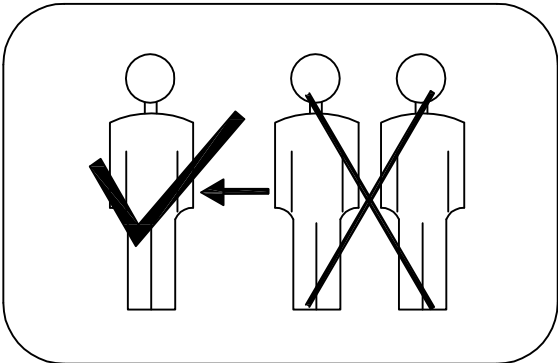
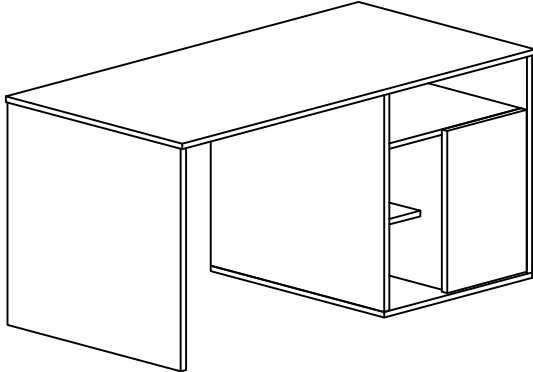


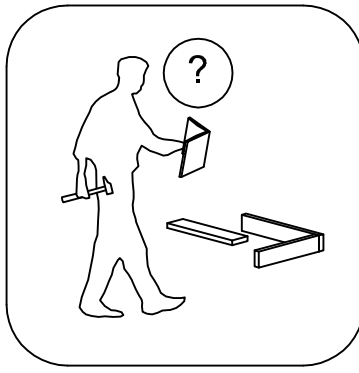
# City 3038

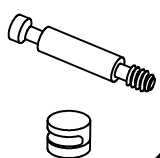
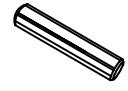
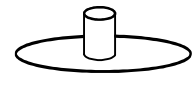
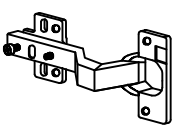
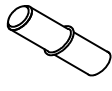


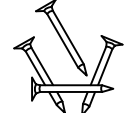


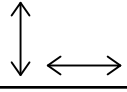
120 min.

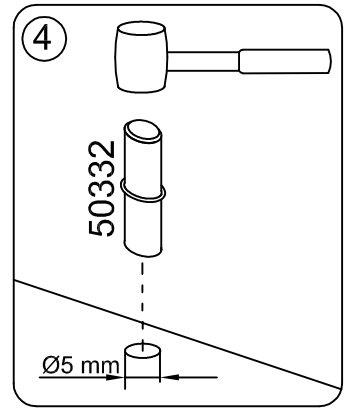
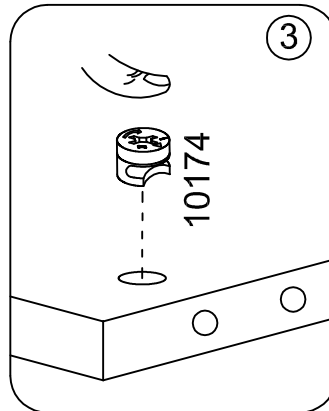
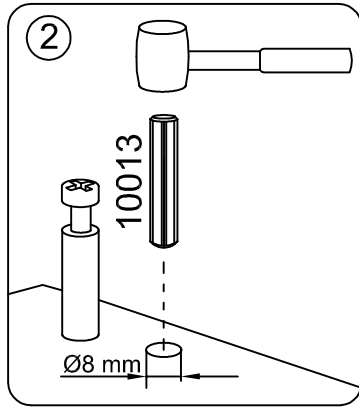
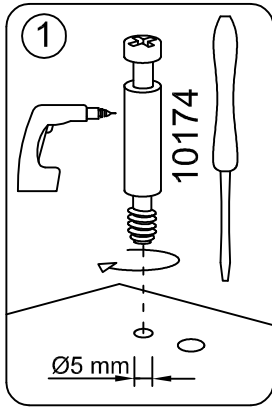


<http://www.irimbg.com/instructions/>

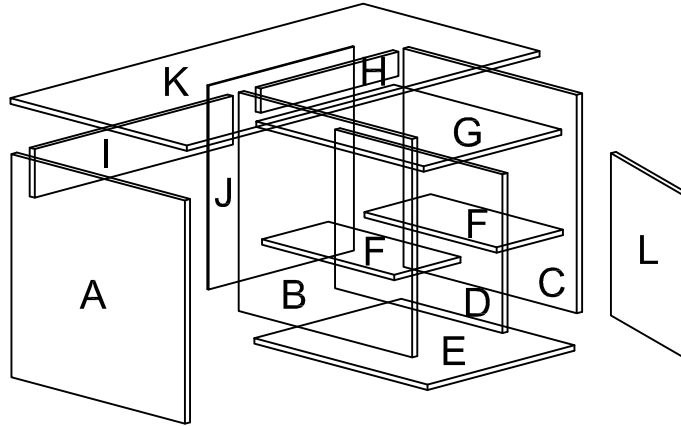


24x  10174	28x  $\Phi$ 8/30 10013	24x  50317	2x  40160
8x  50332	6x  50738	8x  $\Phi$ 3,5/16 10001	 10033

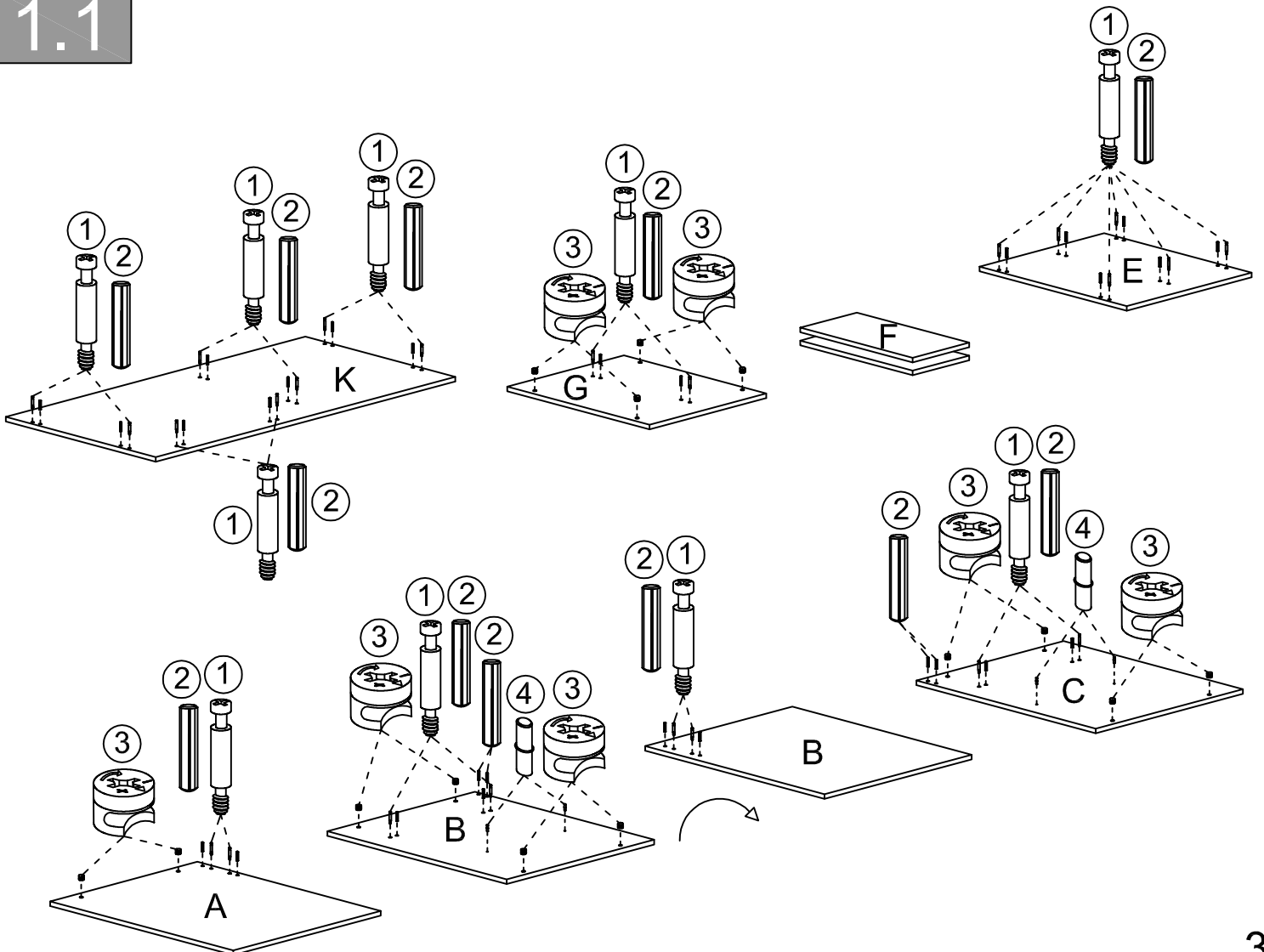
		Box number
A	734x590	2/2
B	718x590	2/2
C	718x590	2/2
D	522x570	1/2
E	500x590	1/2
F	2x 226x450	1/2
G	468x570	1/2
H	468x80	1/2
I	674x160	1/2
J	670x495	2/2
K	1200x600	1/2
L	533x270	1/2



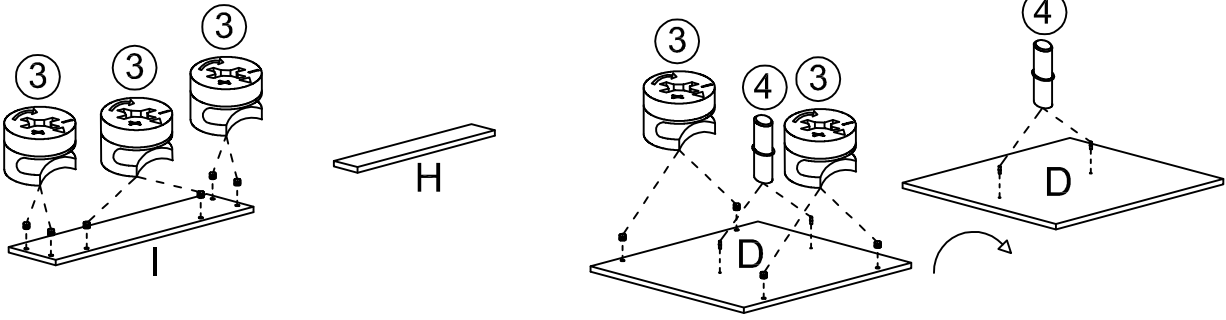
1



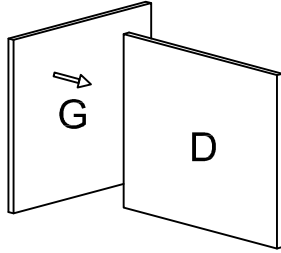
1.1



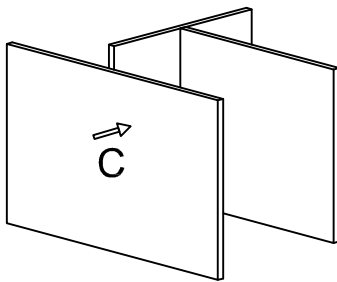
3



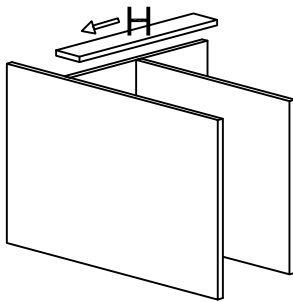
## 1.2



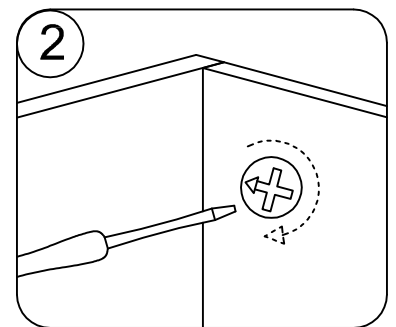
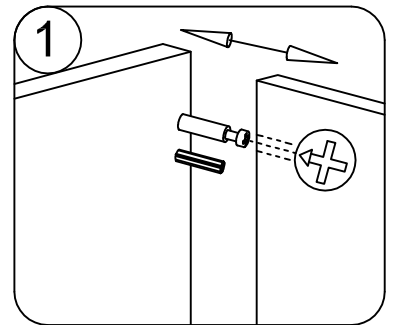
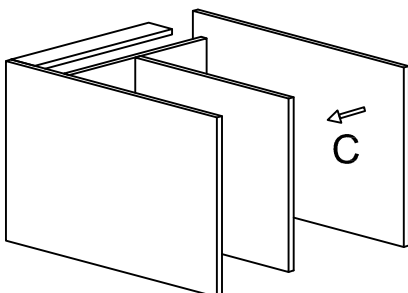
## 1.3



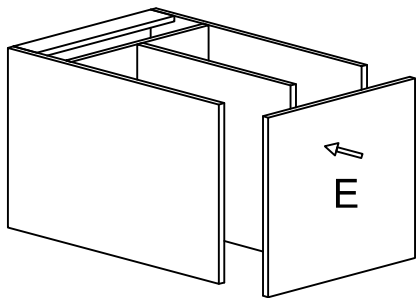
## 1.4



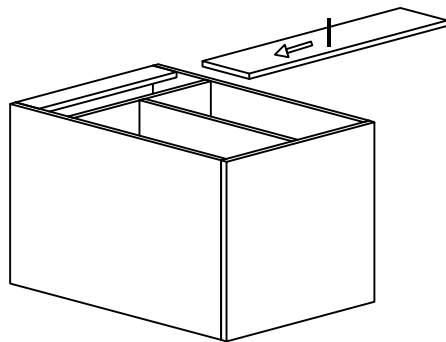
## 1.5



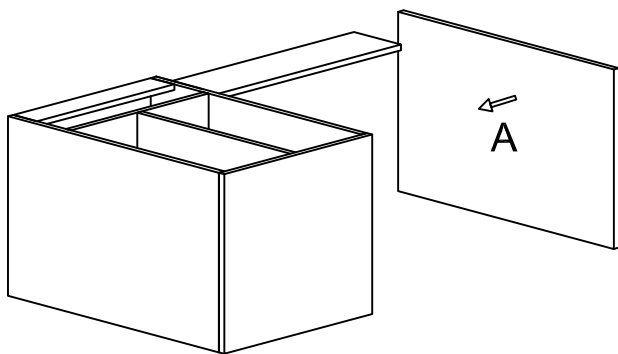
1.6



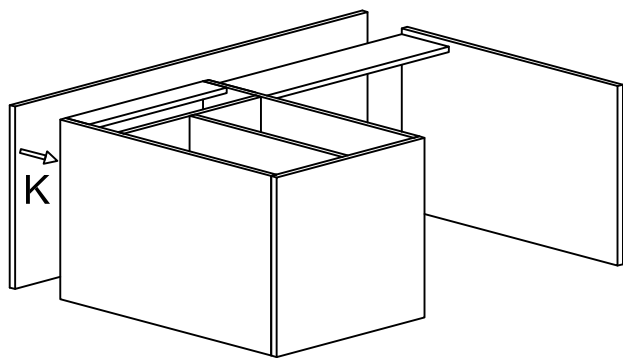
1.7



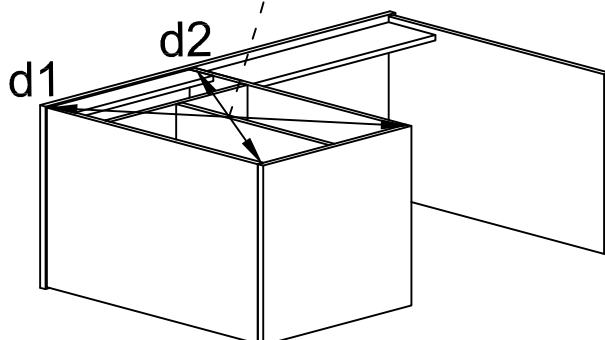
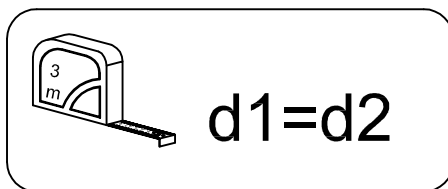
1.8



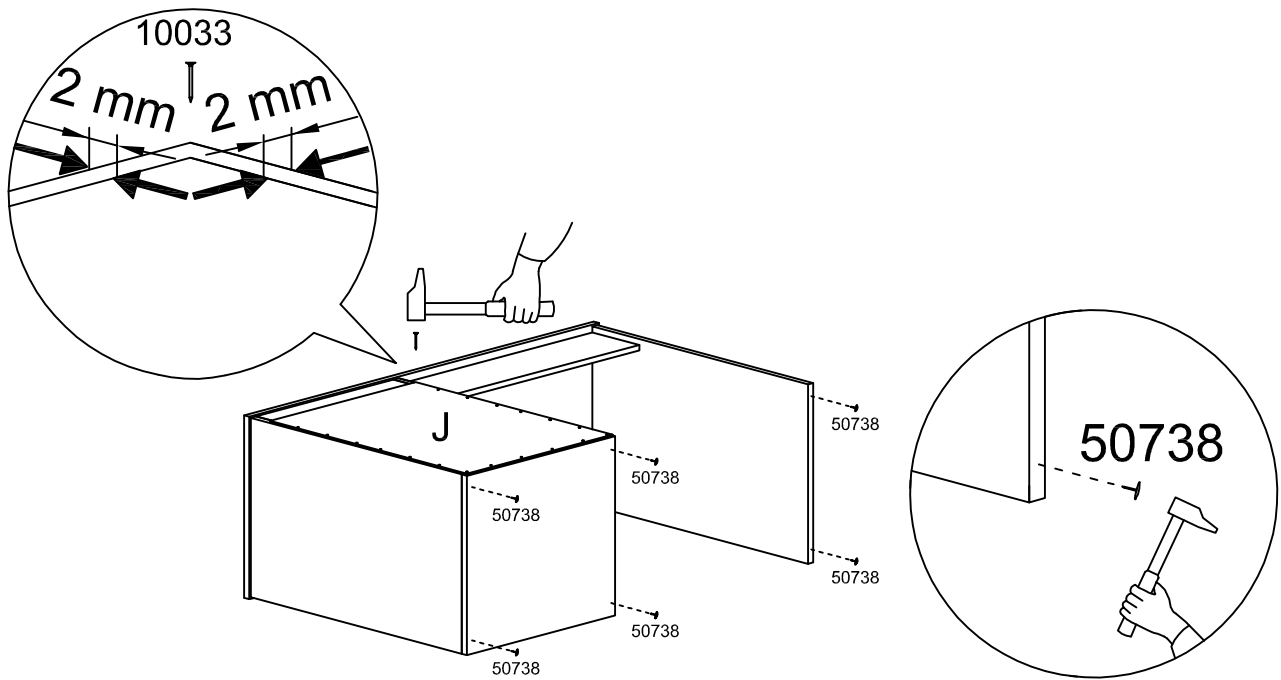
1.9



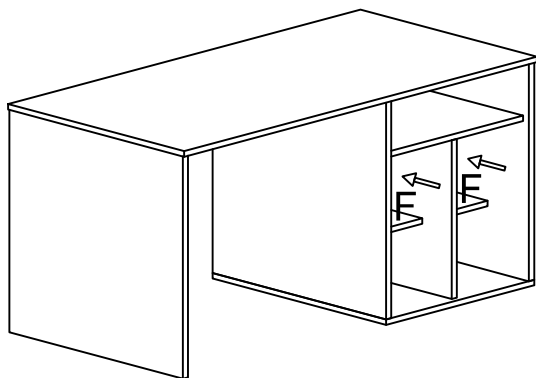
1.10



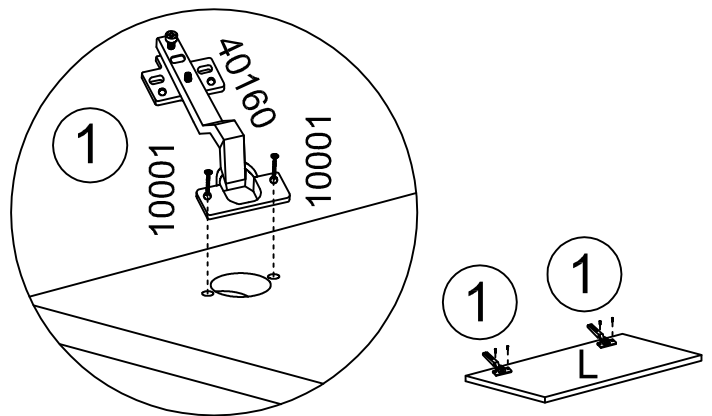
# 1.11



# 1.12



# 1.13



# 1.14

