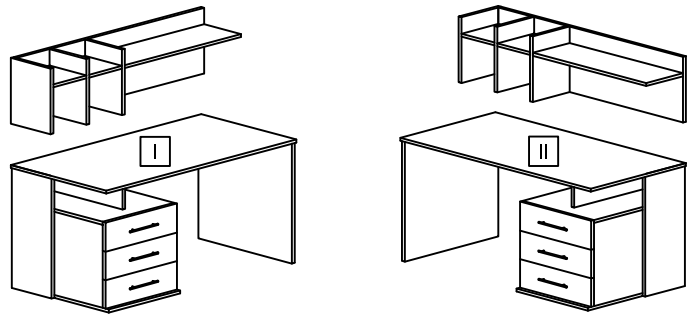


# City 3020

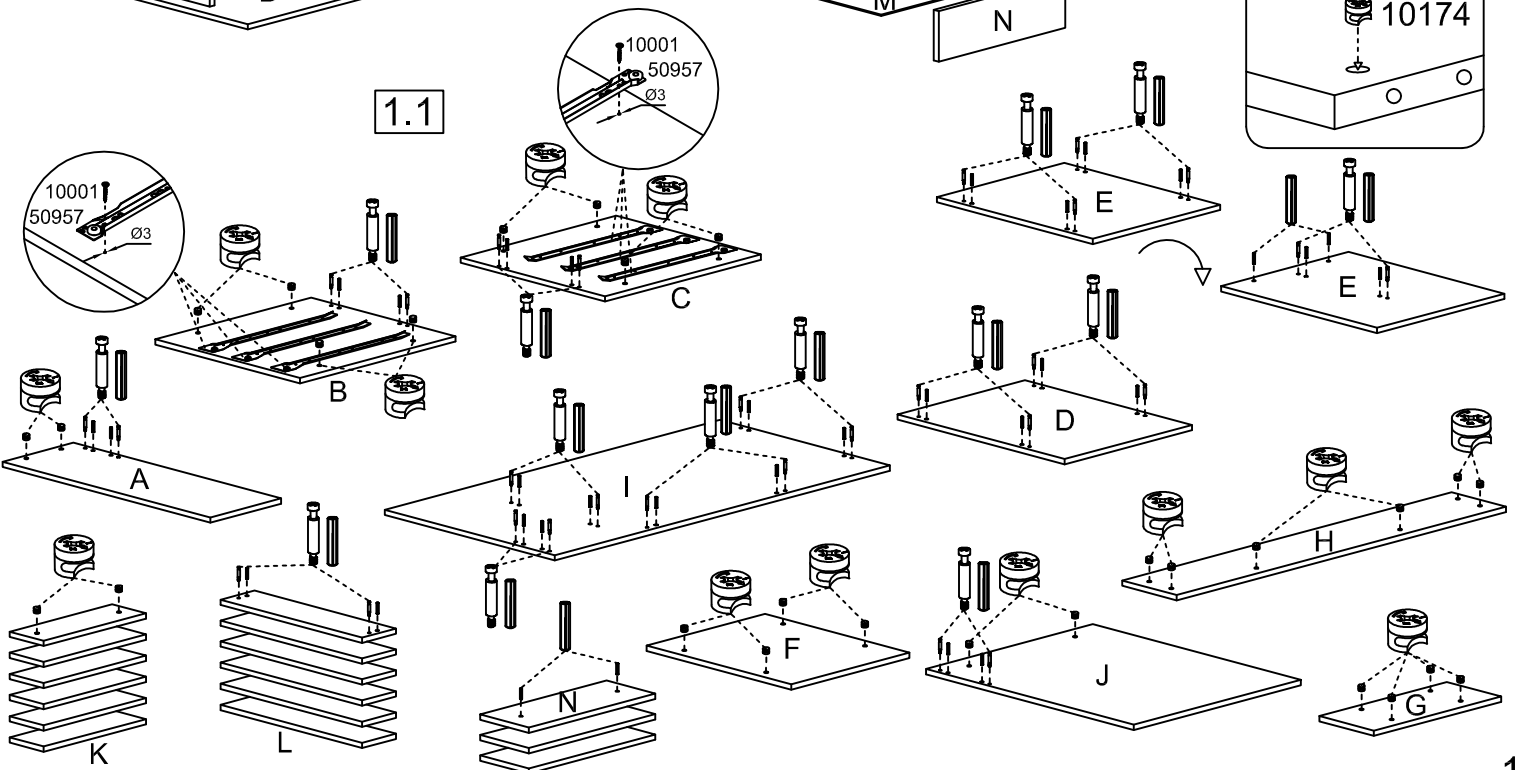
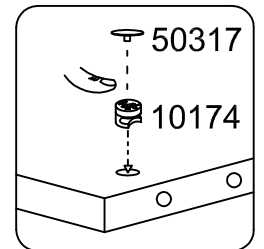
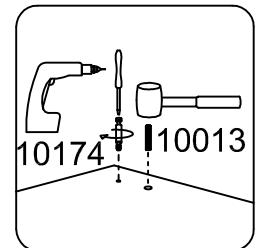
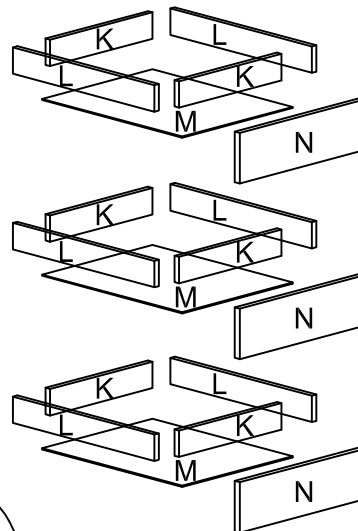
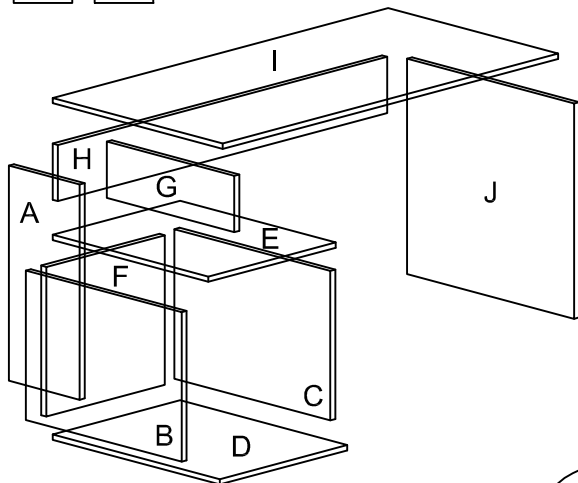
|   |            |     |
|---|------------|-----|
| A | 734x250    | 1/3 |
| B | 510x550    | 2/3 |
| C | 510x550    | 2/3 |
| D | 450x590    | 1/3 |
| E | 450x550    | 2/3 |
| F | 418x510    | 2/3 |
| G | 192x450    | 1/3 |
| H | 1158x192   | 1/3 |
| I | 1200x600   | 1/3 |
| J | 734x590    | 1/3 |
| K | 6x 361x110 | 2/3 |
| L | 6x 500x110 | 2/3 |
| M | 3x 495x390 | 2/3 |
| N | 3x 447x172 | 3/3 |
| O | 1184x400   | 3/3 |
| P | 734x230    | 3/3 |
| Q | 400x234    | 3/3 |
| R | 2x 209x230 | 3/3 |
| S | 400x250    | 3/3 |

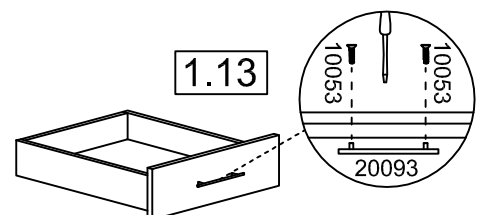
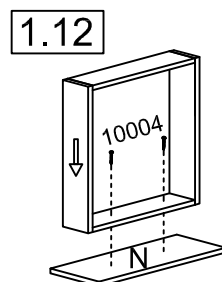
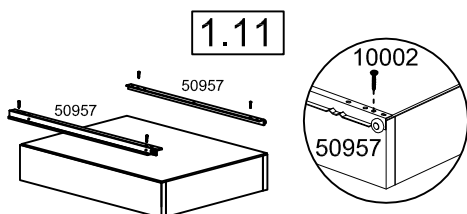
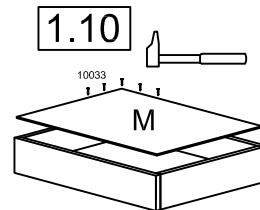
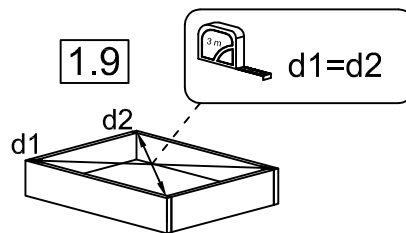
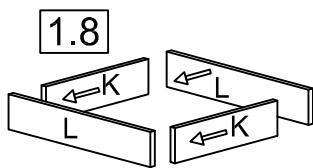
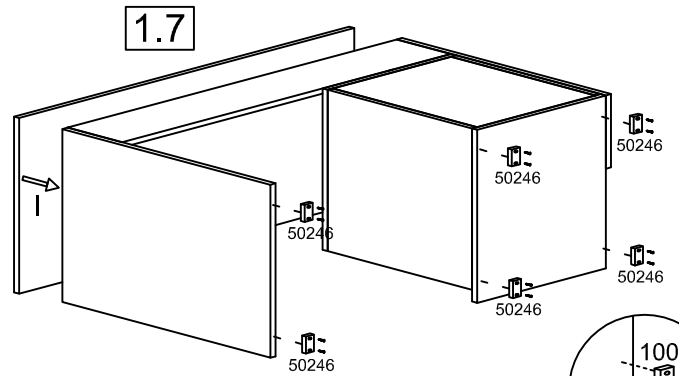
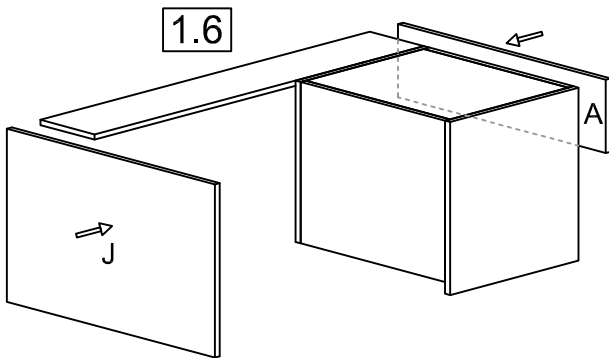
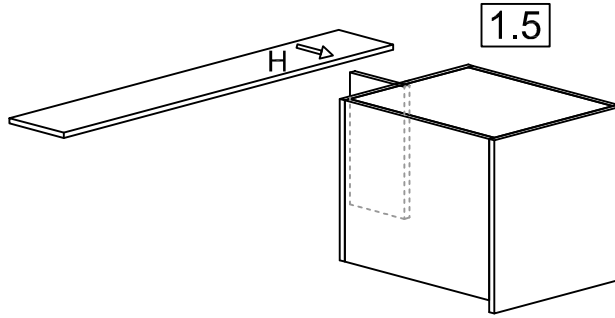
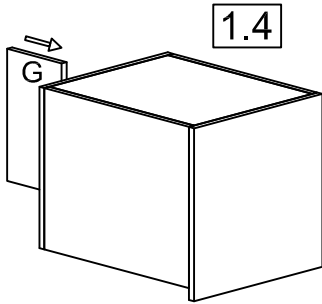
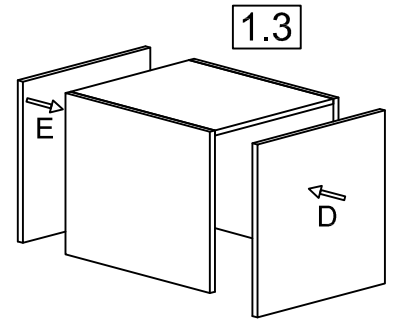
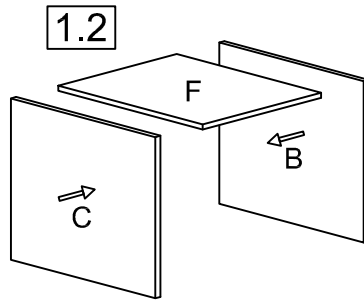
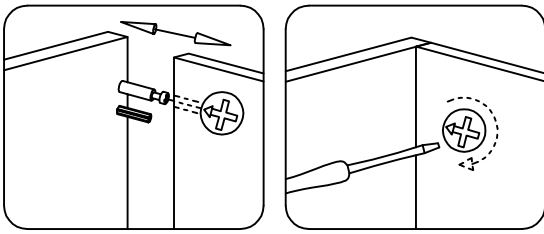


|                          |                        |                           |                           |
|--------------------------|------------------------|---------------------------|---------------------------|
| 48x<br><br>10174         | 62x<br><br>10013       | 4x<br><br>10072           | 56x<br><br>50317          |
| 3x<br><br>L= 500mm 50957 | 3x<br><br>20093        | 8x<br><br>50246           | 6x<br><br>M 4/35 10053    |
| 2x<br><br>10060          | 2x<br><br>Φ 6/80 10021 | 18x<br><br>Φ 3,5/16 10001 | 35x<br><br>Φ 3,5/20 10002 |
| 6x<br><br>Φ 3,5/30 10004 | <br>10033              |                           |                           |

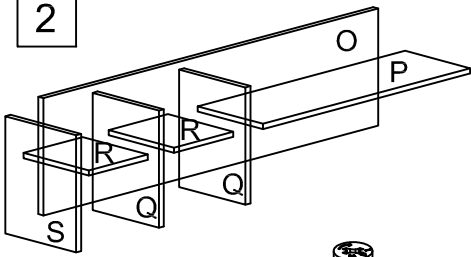
<http://www.irimbg.com/instructions/>

1 I

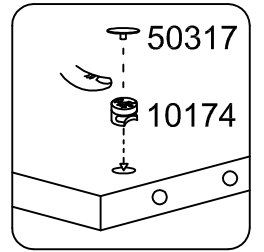
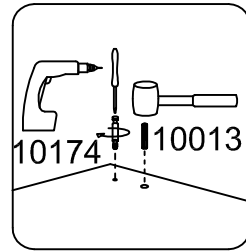
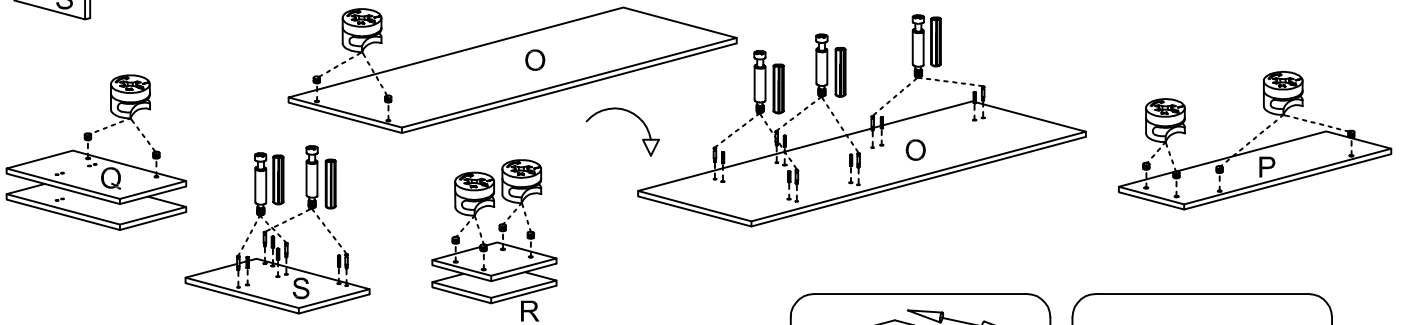




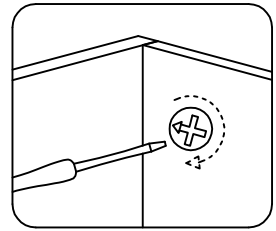
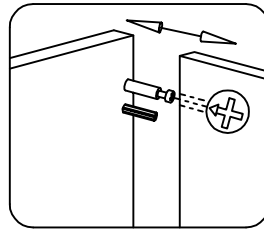
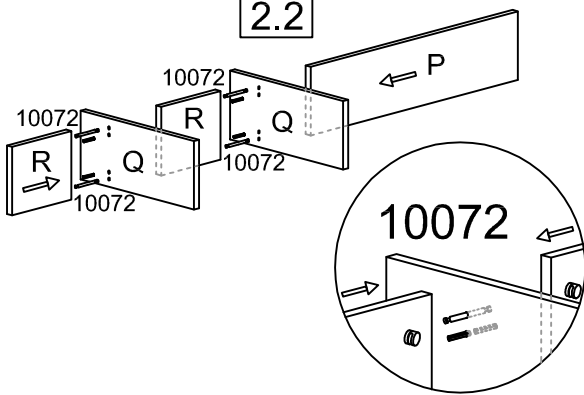
2



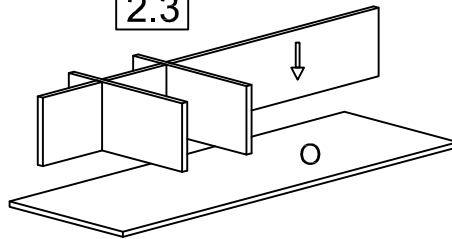
2.1



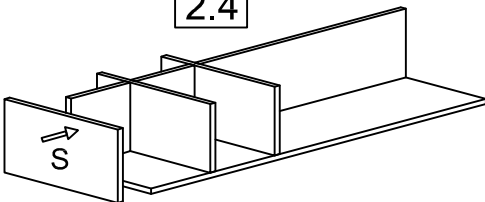
2.2



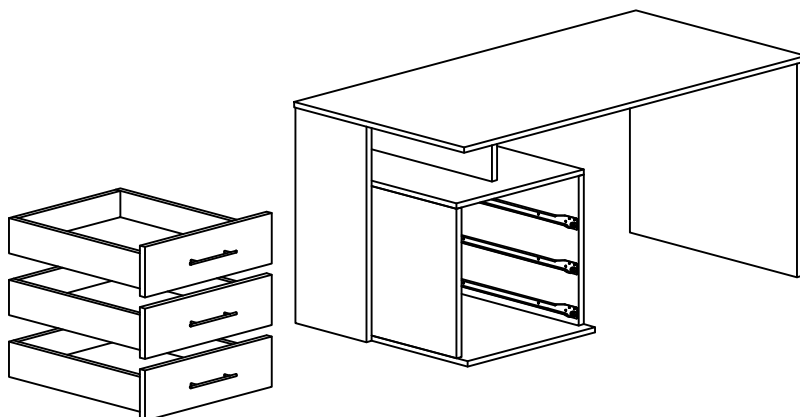
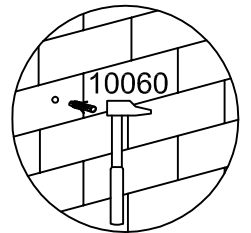
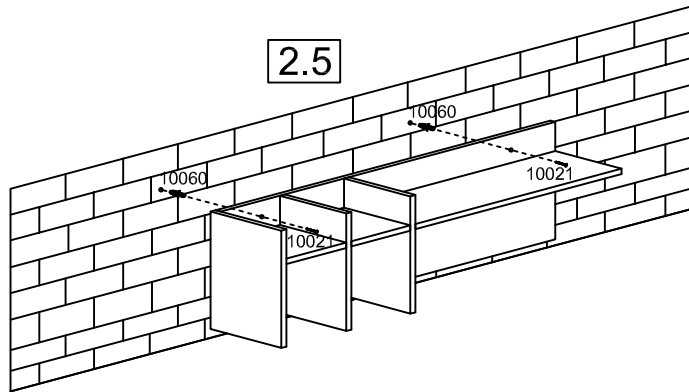
2.3



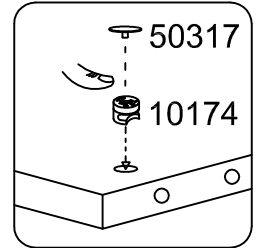
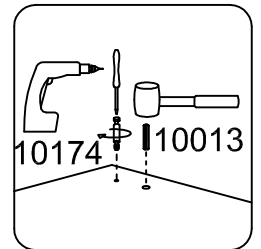
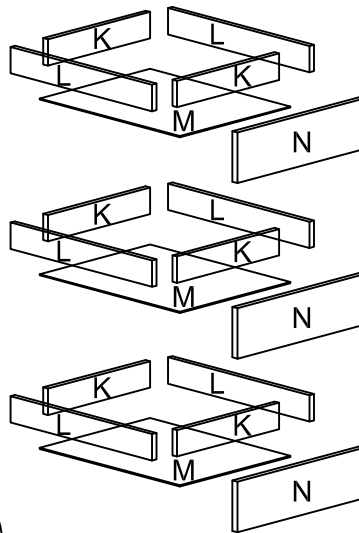
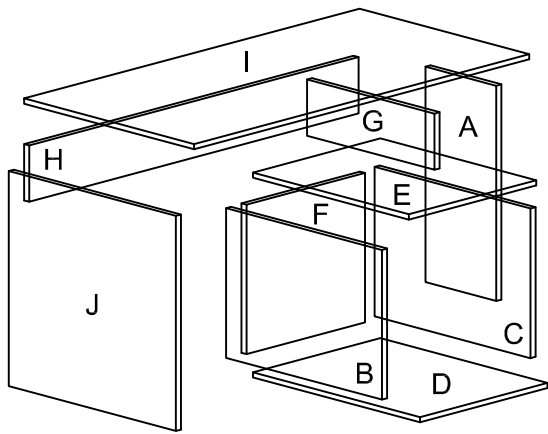
2.4



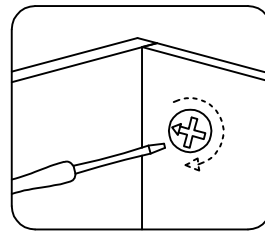
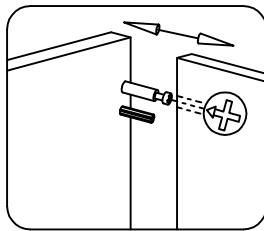
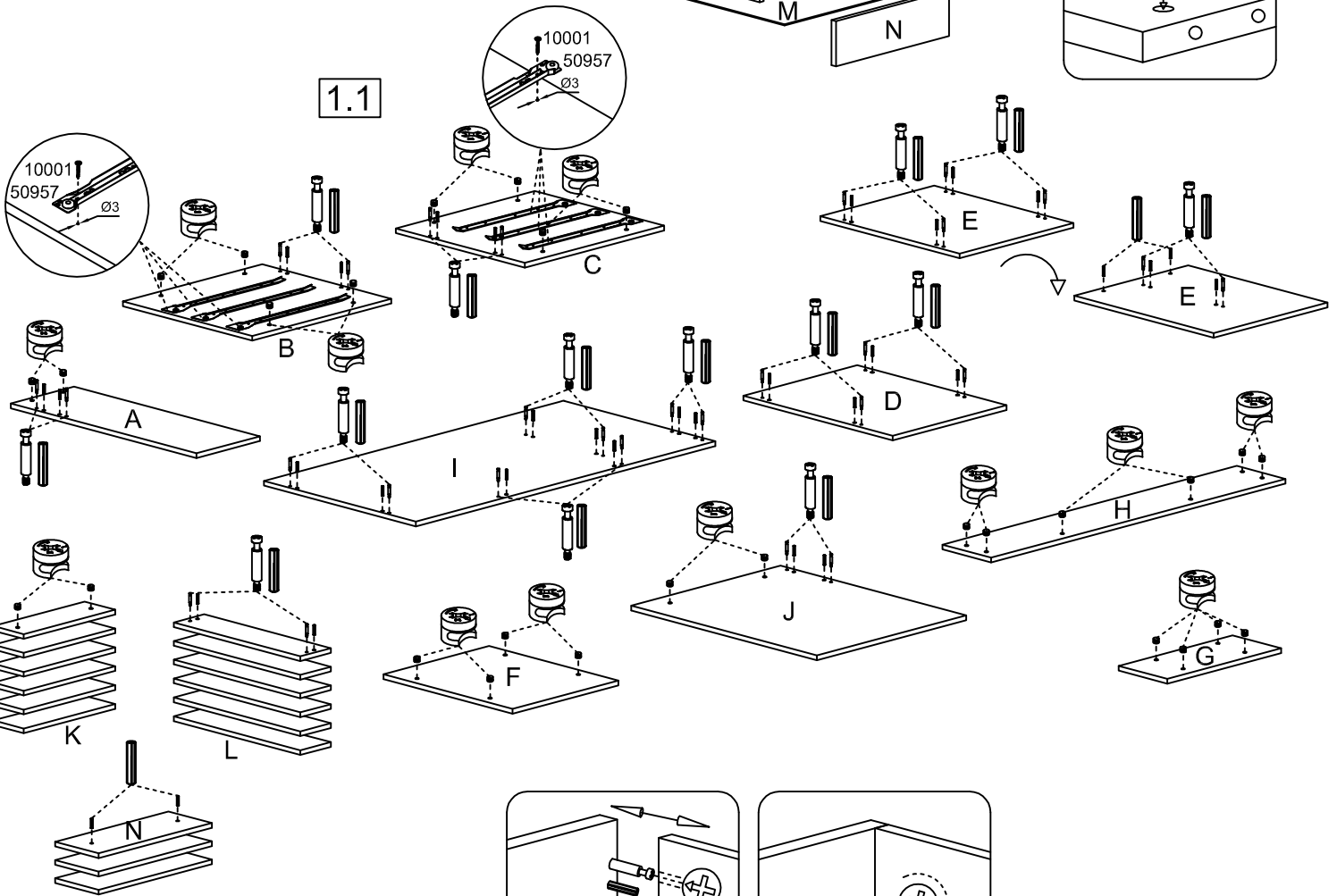
2.5



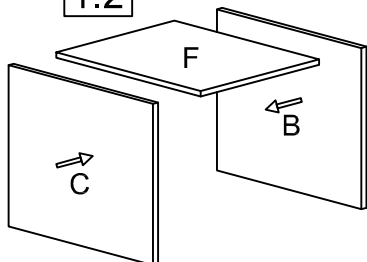
1 II



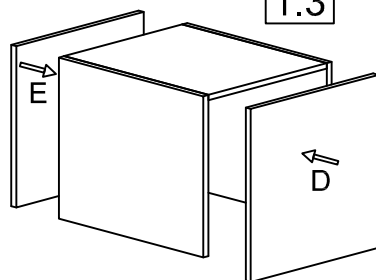
1.1



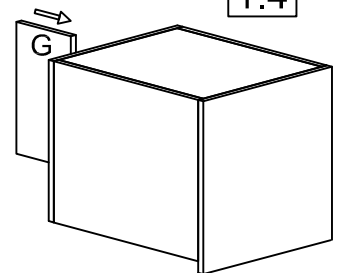
1.2



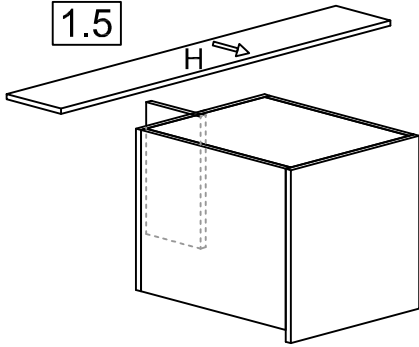
1.3



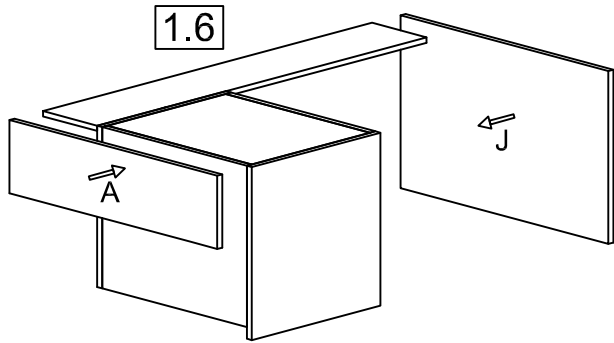
1.4



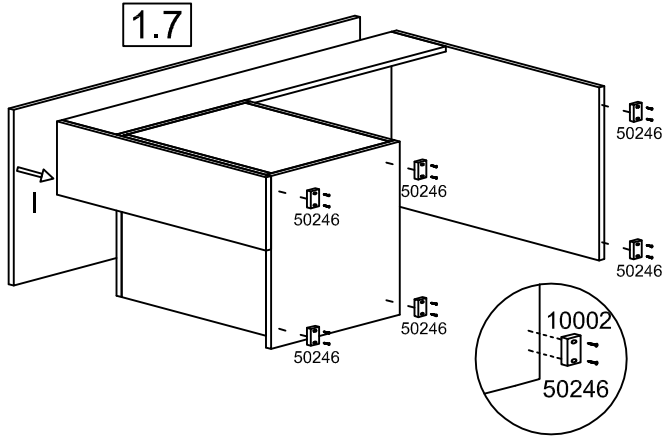
1.5



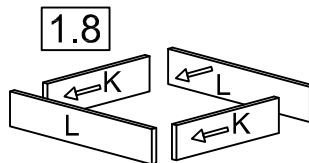
1.6



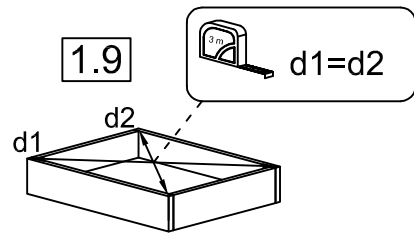
1.7



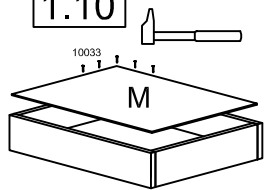
1.8



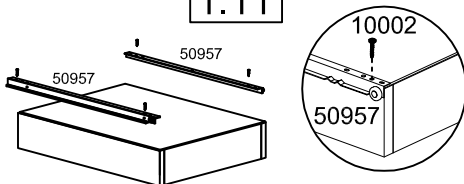
1.9



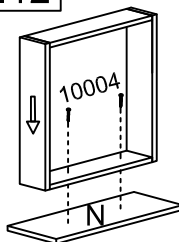
1.10



1.11



1.12



1.13

