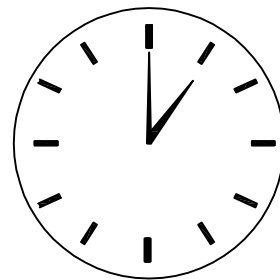
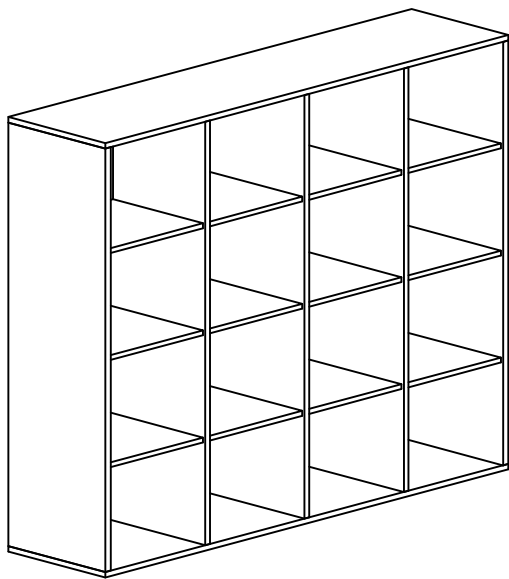
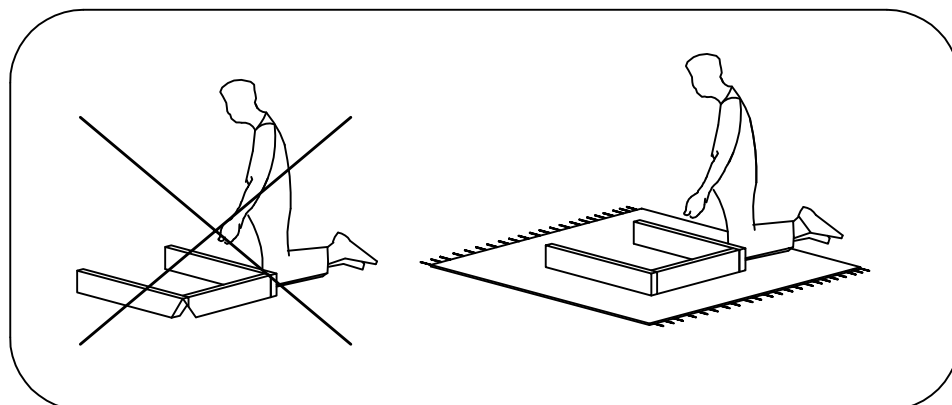
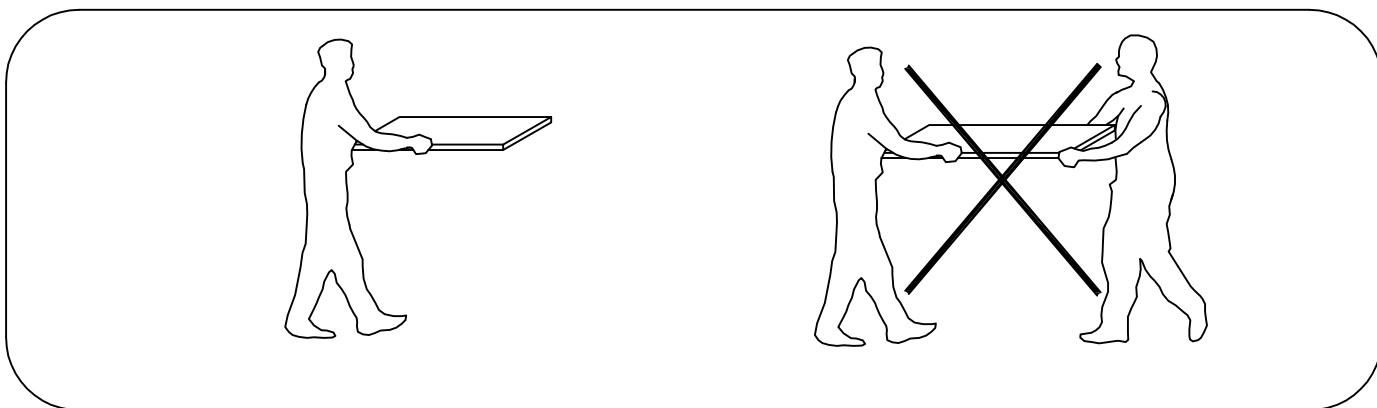
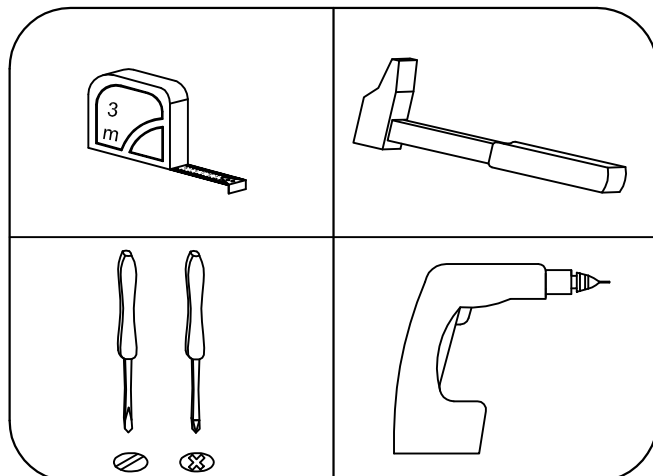
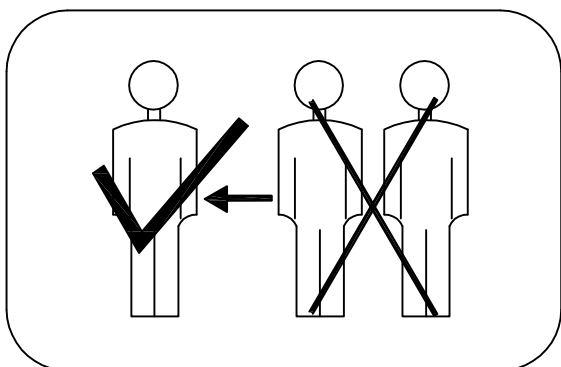


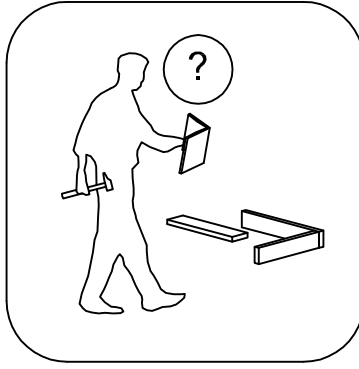
City 6228

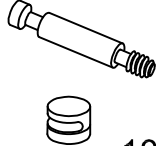
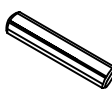
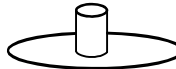
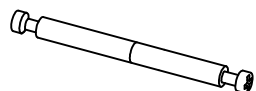
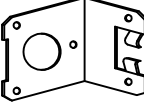
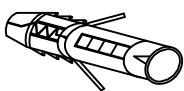
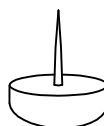

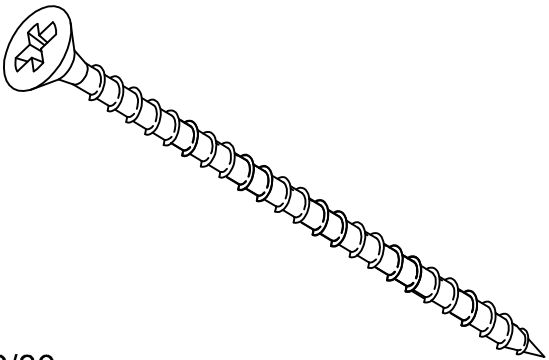


90 min.

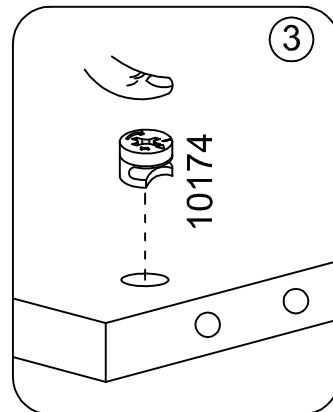
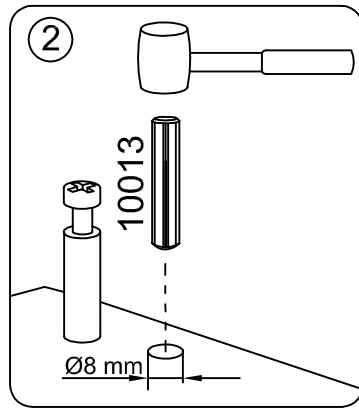
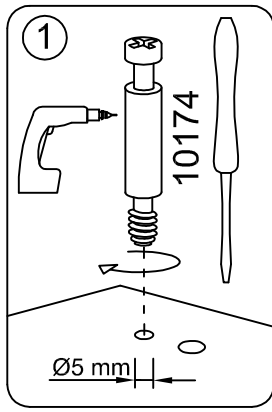


<http://www.irimbg.com/instructions/>

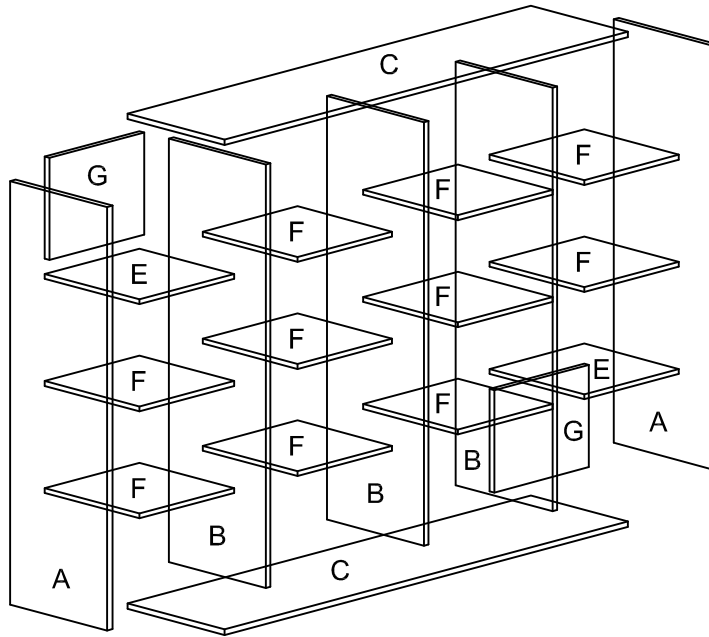


40x  10174	58x  Φ 8/30 10013	76x  50317	18x  10072
2x  51066	2x  10060	10x  50738	4x  Φ 3,5/16 10001
2x  Φ 6/80 10021			

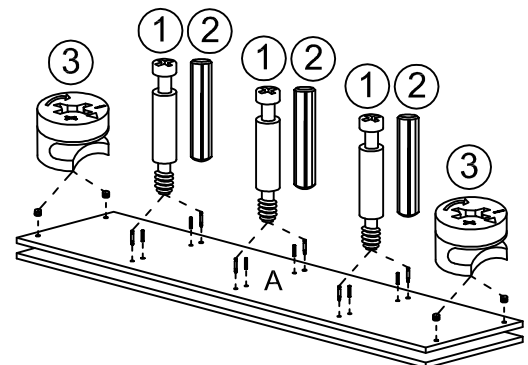
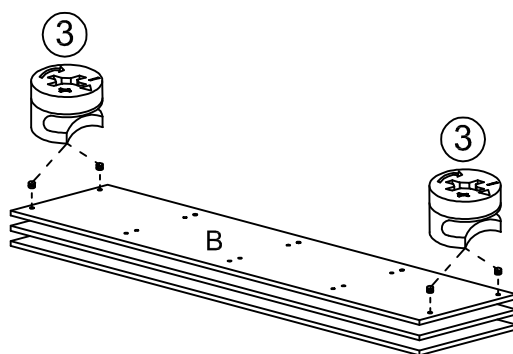
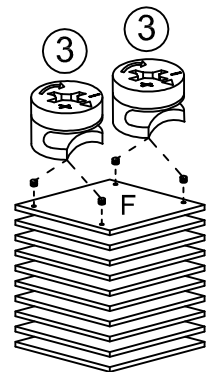
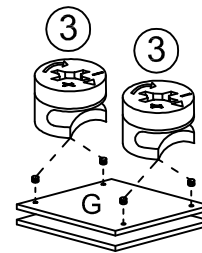
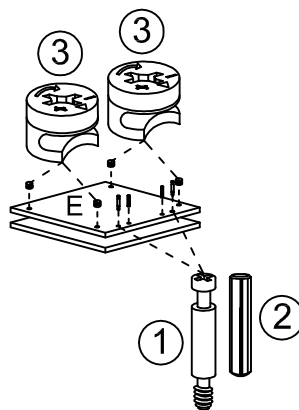
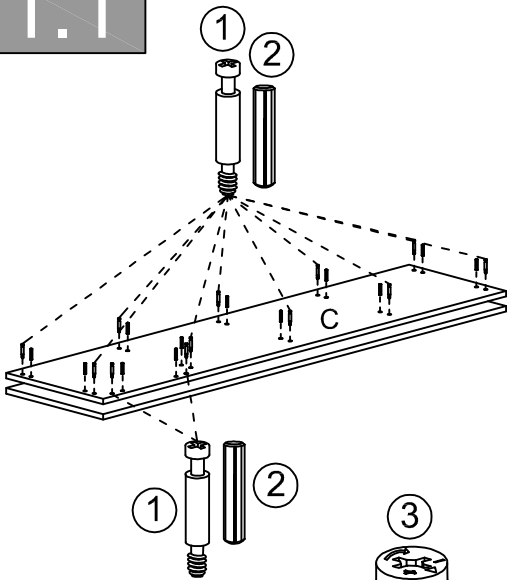
	↑ ↔	Box number
A	2x 1392x330	1/2
B	3x 1392x322	1/2
C	2x 1372x330	2/2
E	2x 322x322	2/2
F	10x 322x322	2/2
G	2x 336x322	2/2



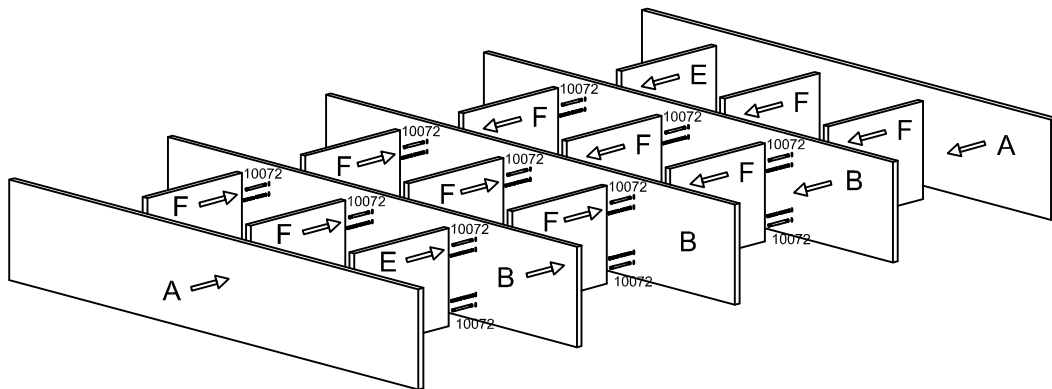
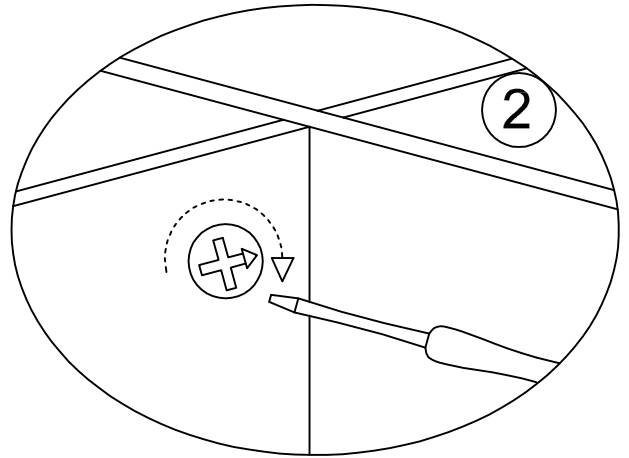
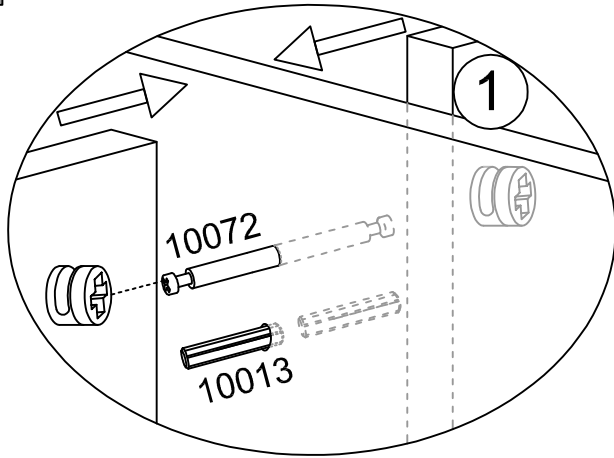
1



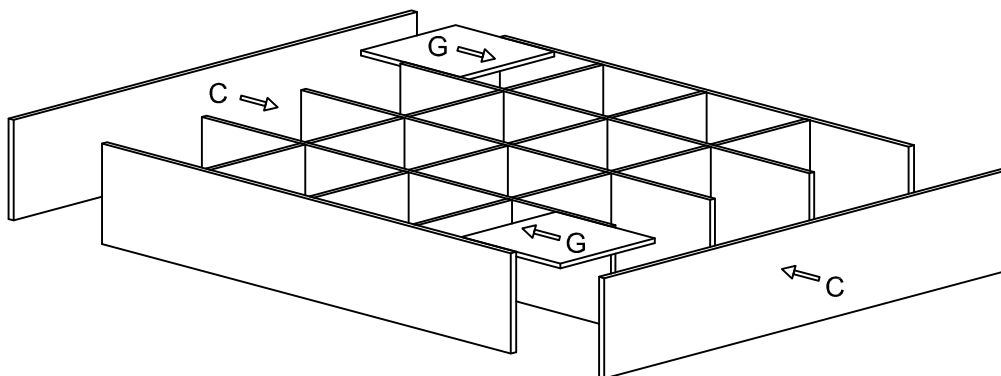
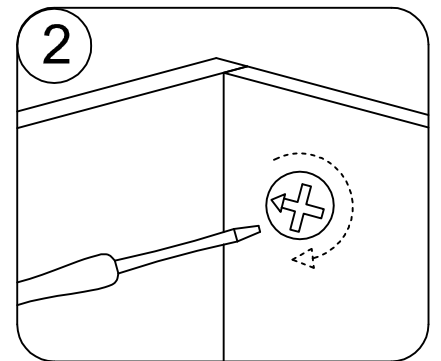
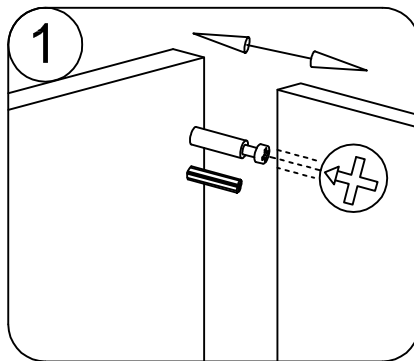
1.1



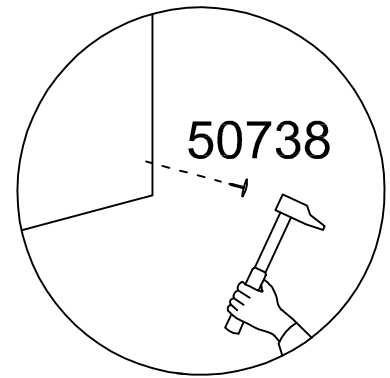
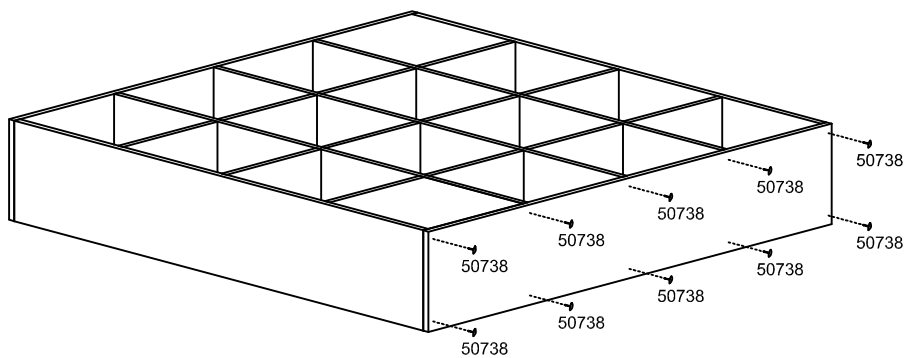
1.2



1.3



1.4



1.5

