

PRODUCT DATASHEET

Orbis Ultra Slim Backlight Click-Dim 400mm White 22W

ORBIS ULTRA SLIM CLICK DIM | Ceiling luminaires with click dim by switch function



Areas of application

- Indoor applications
- Living areas (living rooms, dining rooms, bedrooms etc.)

Product benefits

- Very slim design
- Easy and quick installation

Product features

- Click-DIM version: dimmable in three steps by repeated switching
- Dimmable



TECHNICAL DATA**Electrical data**

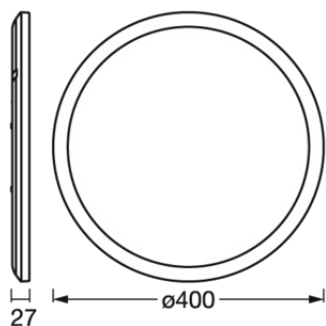
Nominal wattage	22.00 W
Nominal voltage	220...240 V
Mains frequency	50...60 Hz
Nominal current	98.000 mA
Inrush current time T_{h50}	100 μ s
Max. number of luminaires per miniature circuit breaker B16	41
Max. number of luminaires per miniature circuit breaker C16	53
Power factor λ	> 0.90
Total harmonic distortion	< 40 %
Protection class	II
Operating mode	Mains voltage

Photometrical data

Luminous flux	1850 lm
Luminous efficacy	84 lm/W
Color temperature	3000 K
Light color (designation)	Warm White
Color rendering index Ra	≥ 80
Standard deviation of color matching	≤ 6 sdc
Photobiological safety group acc. to EN62778	RG0
Photobiological safety group acc. to EN62471	RG0
Beam angle	110 °
UGR	< 25

Dimensions & Weight

Diameter	400.00 mm
Height	27.00 mm
Product weight	1065.00 g



ORBIS ULTRA SLIM BL CLICKDIM

Materials & Colors

Product color	White
Body material	Plastic
Glow Wire Test according to IEC 60695-2-12	650 °C
Mercury content	0.0 mg

Application & Mounting

Ambient temperature range	-20...+40 °C
Type of connection	Terminal, 2-pin
Type of protection	IP20
Dimmable	Yes
Type of dimming	3 DIM
Mounting type	Surface
Application environment	Indoor
With light source	Yes
Replaceable light source	No

Lifespan

Lifespan L70/B50 at 25 °C	30000 h ¹⁾
Number of switching cycles	25000

¹⁾ t[h]: L70 / B50 @ 25 °C (Ta), t[h]: L80 / B10 @ 25 °C (Ta), t[h]: L90 / B10 @ 25 °C (Ta)

Certificates & Standards

Standards	CE / UKCA
Luminaire with limited surface temperature, "D sign"	No

Ball shot safe	No
----------------	----





EQUIPMENT / ACCESSORIES

- Complete mounting and connecting accessories included

Safety advice

- All electrical connections must be made by a qualified person.
- Caution, risk of electric shock.
- Check wall-ceiling for suitability. If uncertain, seek professional advice.

DOWNLOAD DATA

Documents and certificates	Document name
 User instruction / safety instructions	ORBIS ULTRA SLIM BACKLIGHT
 Legal information	Safety insert G11219301
 Declarations of conformity	ORBIS ULTRA SLIM BL CLICK DIM
 Declarations of conformity UKCA	ORBIS ULTRA SLIM BL CLICKDIM

LOGISTICAL DATA

Product code	Packaging unit (Pieces/Unit)	Dimensions (length x width x height)	Gross weight	Volume
4099854450822	Folding box 1	52 mm x 406 mm x 428 mm	1544.00 g	9.04 dm ³
4099854450839	Shipping box 5	417 mm x 275 mm x 444 mm	7720.00 g	50.92 dm ³

The mentioned product code describes the smallest quantity unit which can be ordered. One shipping unit can contain one or more single products. When placing an order, for the quantity please enter single or multiples of a shipping unit.

DISCLAIMER

Subject to change without notice. Errors and omission excepted. Always make sure to use the most recent release.